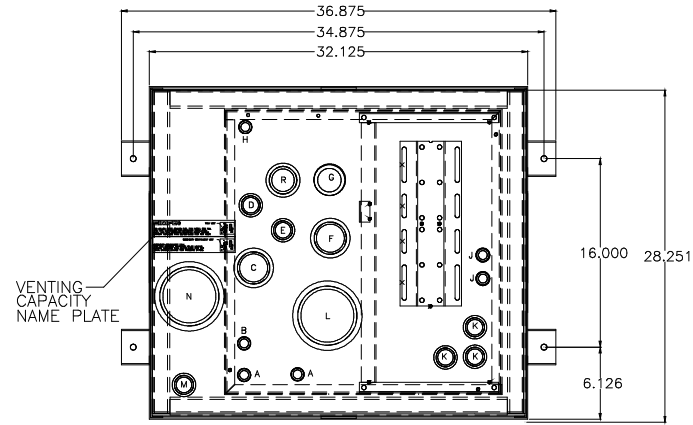


TANK FITTING SCHEDULE

PORT	DESCRIPTION	
A	ENGINE SUPPLY DROP TUBE	0.75" NPT, MALE
B	SIPHON DRAIN DROP TUBE	0.75" NPT, MALE
C	HIGH LEVEL RETURN PORT	2.00" NPT, FEMALE
D	ENGINE RETURN PORT	1.00" NPT, FEMALE
E	EXTRA PIPE FLANGE	1.00" NPT, FEMALE
F	TANK VENT PORT	2.00" NPT, FEMALE
G	MANUAL FILL PORT	2.00" NPT, MALE
H	HAND PUMP DROP TUBE	0.75" NPT, MALE
J	PUMP CONNECTION TO TANK	0.75" NPT, MALE
K	FLOATSWITCH MOUNTING PORT	1.00" NPT, FEMALE
L	EMERGENCY TANK VENT	4.00" NPT, FEMALE
M	LEAK SENSOR PORT	1.00" NPT, FEMALE
N	SECONDARY CONTAINMENT EMERGENCY VENT	4.00" NPT, FEMALE
P	RUPTURE BASIN DRAIN	0.375" NPT, FEMALE
R	DIAL LEVEL GAUGE PORT	1.50" NPT, FEMALE



OPTIONS INSTALLED

- X002-DELETION OF STD PUMP & MOTOR
- 015-MANUAL HAND PUMP
- 025-MANUAL FILL PIPE W/LOCKABLE CAP
- 060-FUEL STRAINER, Y-TYPE, 1.0"NPT., 20 MESH
- 064-EMERGENCY VENT CAP, 4.00"NPT., 2.5 P.S.I.
- 065-TANK DRAIN BALL VALVE
- 066-SIPHON DRAIN PIPING ASSEMBLY
- 070-PRIMING TEE & CHECK VALVE ASSEMBLY
- 080-SOLENOID VALVE, N.C. 115VAC
- 087-PUMP INLET BALL VALVE
- 180-WEATHERPROOF MODIFICATIONS
- 191-FLOATSWITCH IN RUPTURE BASIN
- 192-RUPTURE BASIN DRAIN BALL VALVE

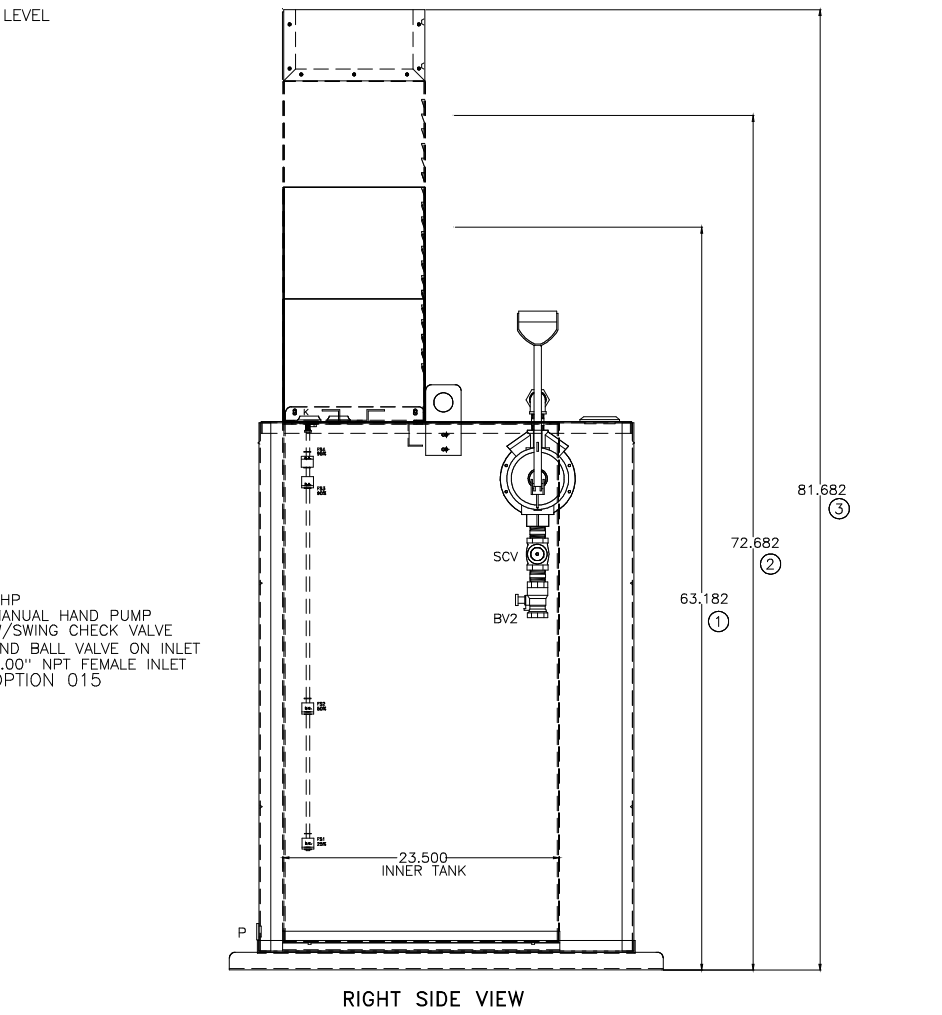
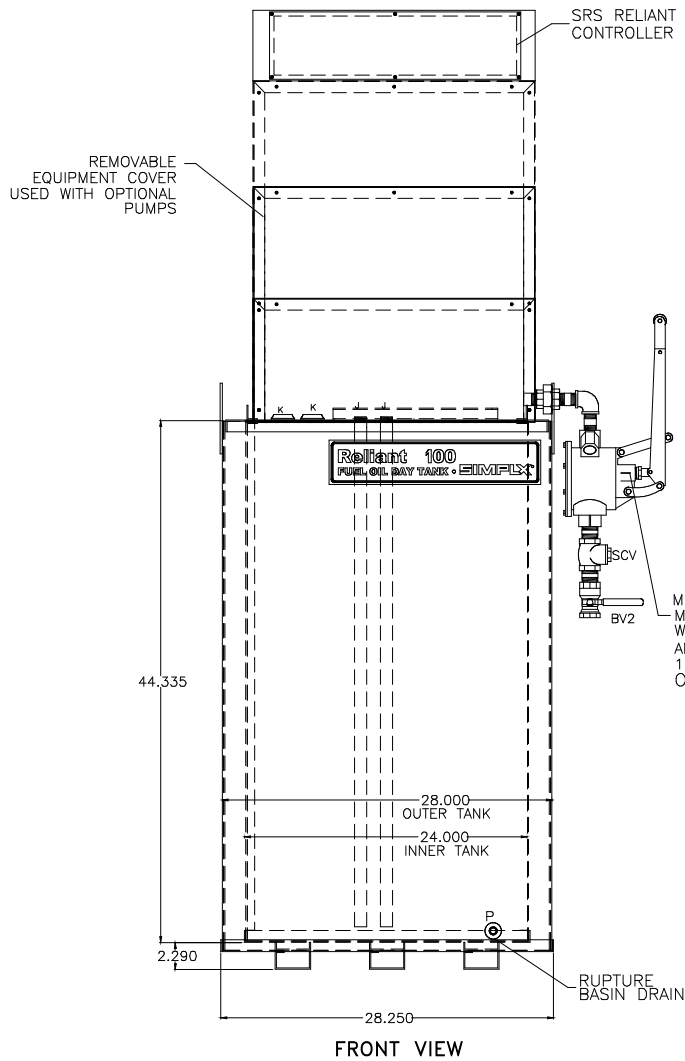
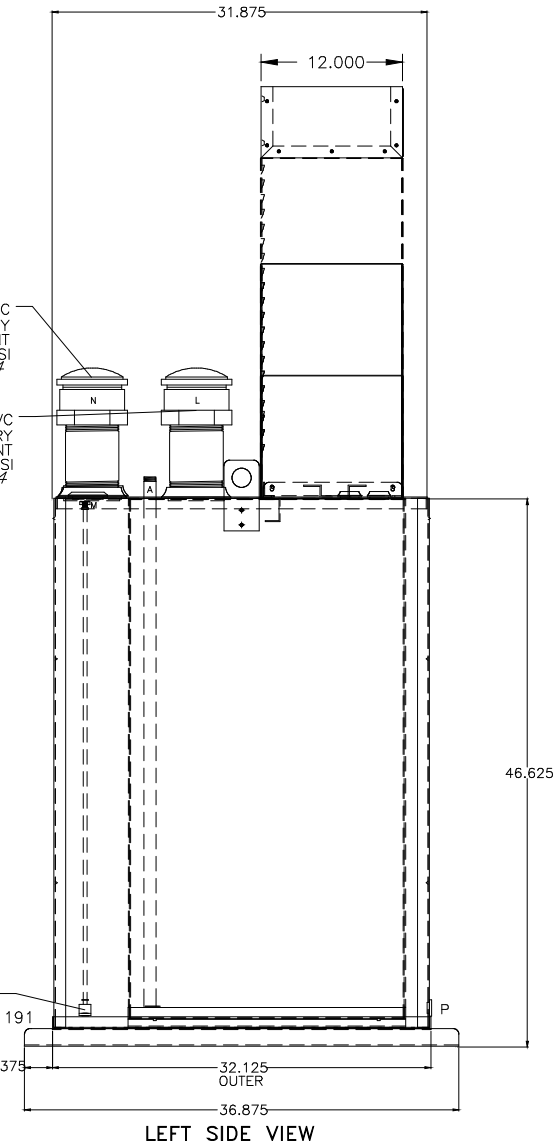
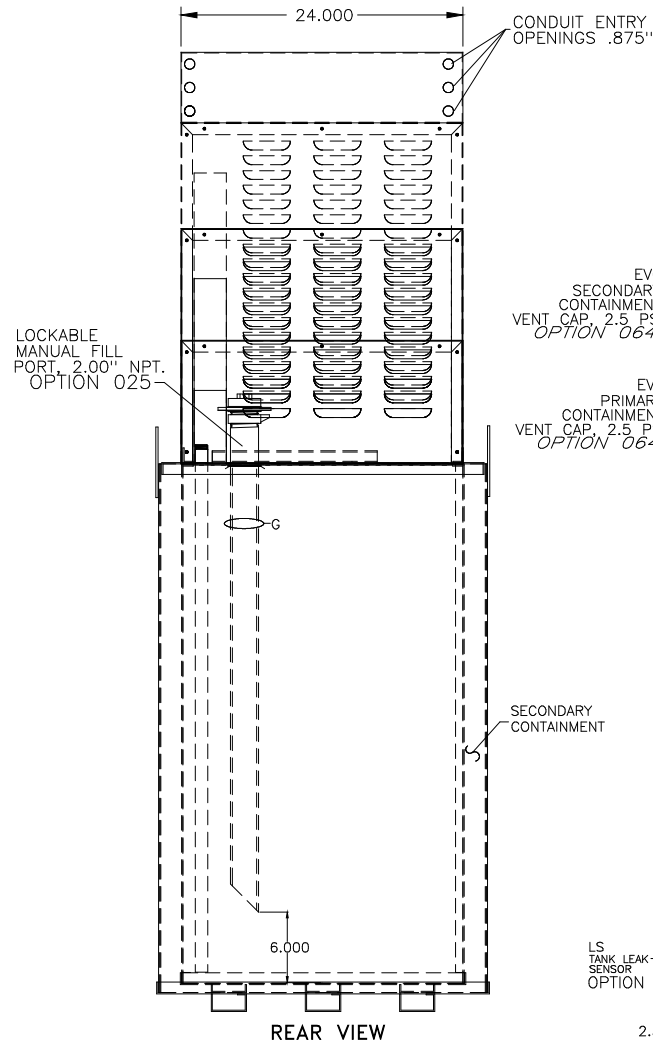
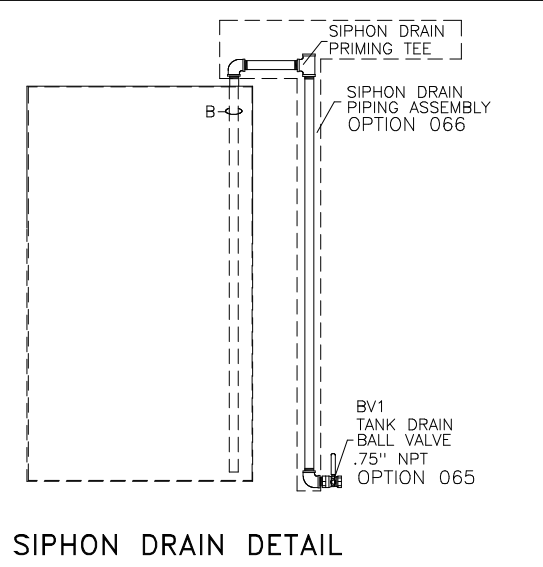
OPTIONS INSTALLED

- 215-SPIRAL LEVEL GAUGE
- 260-MAIN DISCONNECT SWITCH
- 270-POWER AVAILABLE PILOT LIGHT
- 280-PUMP RUN-OFF-AUTO SWITCH
- 311-LOW FUEL LEVEL ALARM
- 312-HIGH FUEL LEVEL ALARM
- 325-HIGH FUEL LEVEL PUMP STOP
- 334-ALARM HORN WITH SILENCE PUSHBUTTON
- 340-PUMP RUNNING LIGHT
- 345-DUPLEX PUMP CONTROLLER
- 390-OVERFLOW RETURN PUMP & CONTROLLER
- 400-TANK FILL PUMP, 7 G.P.M.
- 700-TANK FILL PUMP/MOTOR, .50 H.P.
- HIGH TOP USED W/ SINGLE PUMP 3/4 H.P. OR DUPLEX PUMPS/MOTORS

OPTIONS SHIPPED LOOSE

- 040-WALL MOUNTING BRACKET
- 062-DUPLEX BASKET FUEL STRAINER, 1.0" NPT
- 063-VENT CAP
- 087-MANUAL SHUT-OFF BALL VALVE .50"NPT
- 088-MANUAL SHUT-OFF BALL VALVE 1.00"NPT
- 090-FOOT VALVE 1.00" NPT
- 093-FUSIBLE LINK VALVE 1.50" NPT
- 103-FLOW GAUGE, 1.00"NPT, 2-20GPM
- 286-PRESSURE DIFFERENTIAL SWITCH FOR STRAINER

- NOTES:**
- CONSTRUCTION: 12 GA. H.R.S.
 - LISTING: UL 142
 - RATING: ATMOSPHERIC TANK TESTED TO 3 PSI
 - FINISH: TANK POWDER COATED BONE WHITE
EQUIPMENT COVER POWDER COATED BONE WHITE
 - DUE TO SYSTEM COMPLEXITY, SOME COMPONENTS MAY NOT BE VISIBLE IN ALL VIEWS
 - ALL DIMENSIONS ±.125"



DAY TANK SHOWN WITH STANDARD CONTROL SECTION AND OPTIONAL DUPLEX PUMP/LARGE PUMP SECTION SEE TANK HEIGHT.

THE INFORMATION HEREON IS THE PROPERTY OF SIMPLX, INC., AND/OR ITS SUBSIDIARIES. WITHOUT WRITTEN PERMISSION ANY COPYING, TRANSMITTAL TO OTHERS AND USE EXCEPT THAT FOR WHICH IT IS LOANED IS PROHIBITED.
© 2008 SIMPLX, INC. ALL RIGHTS RESERVED

SIMPLX SPRINGFIELD, ILLINOIS

SCALE: ~ APPROVED BY: DRAWN BY: DLC
 DATE: 07/10/08 REVISED:

FUEL OIL DAY TANK SRS-100 RELIANT
 CAPACITY: 100 GALLONS

OPT:XXX
 W.O. # STANDARD DRAWING NUMBER 8BD181430