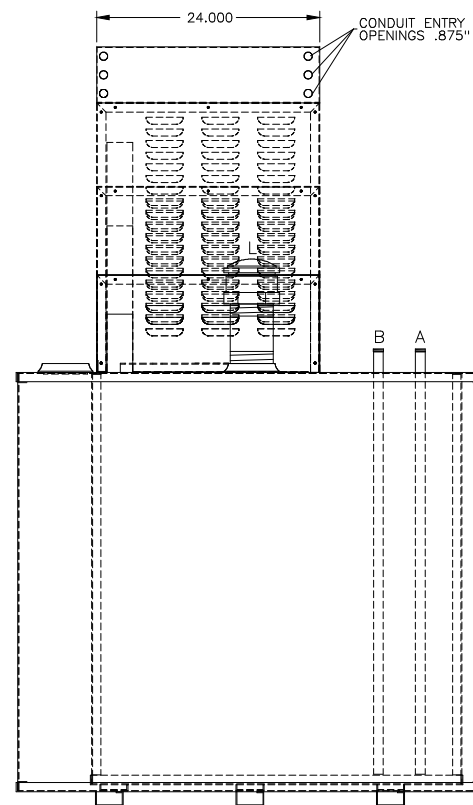
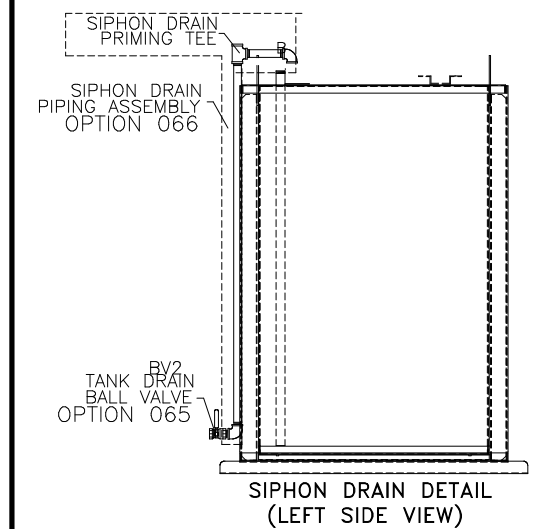
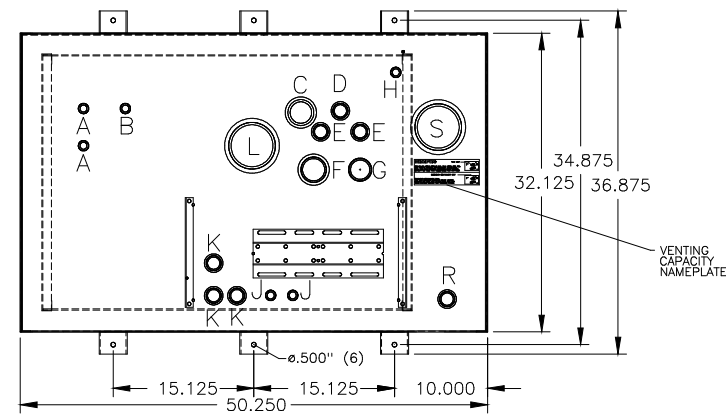


VENTING: INSTALL EMERGENCY VENT CAP AT PORT 'L', ELEVATE 6.00"  
 PLUMB WORKING VENT FROM PORT 'F' TO OUTDOORS  
 INSTALL CAP AT OUTDOOR TERMINATION

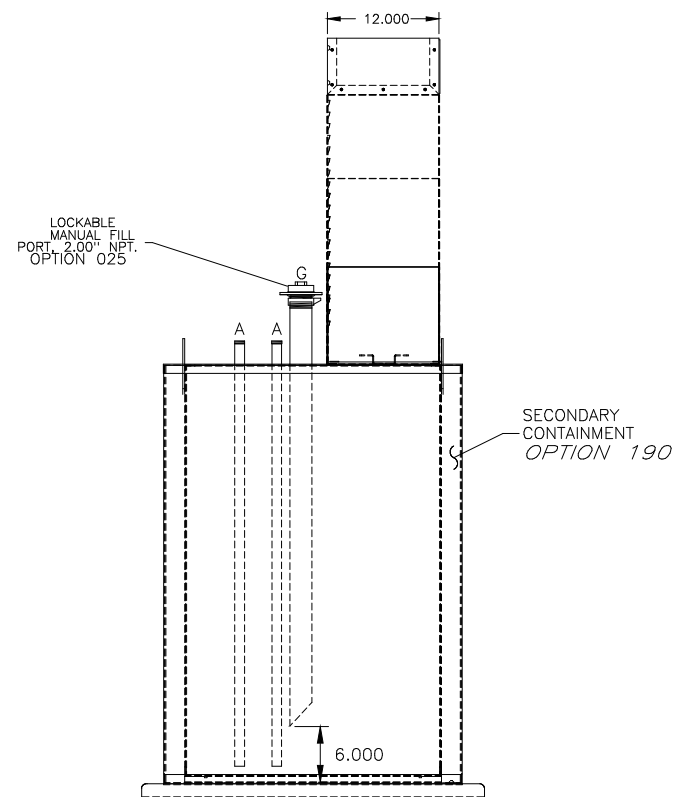
**TANK FITTING SCHEDULE**

PORT	DESCRIPTION	SIZE
A	ENGINE SUPPLY DROP TUBE	0.75" NPT, MALE
B	SIPHON DRAIN DROP TUBE	0.75" NPT, MALE
C	EXTRA PORT	2.00" NPT, FEMALE
D	ENGINE RETURN PORT	1.00" NPT, FEMALE
E	EXTRA PIPE FLANGE	1.00" NPT, FEMALE
F	TANK VENT PORT	2.00" NPT, FEMALE
G	MANUAL FILL DROP TUBE	2.00" NPT, MALE
H	HAND PUMP MOUNTING DROP TUBE	0.75" NPT, MALE
J	PUMP CONNECTION TO TANK DROP TUBE	0.75" NPT, MALE
K	FLOATSWITCH MTG/INSPECTION PORT	1.00" NPT, FEMALE
L	EMERGENCY TANK VENT	4.00" NPT, FEMALE
M	SECONDARY CONTAINMENT DRAIN	0.375" NPT, FEMALE
R	CONTAINMENT LEAK SENSOR PORT	1.00" NPT, FEMALE
S	EMERGENCY CONTAINMENT VENT	4.00" NPT, FEMALE

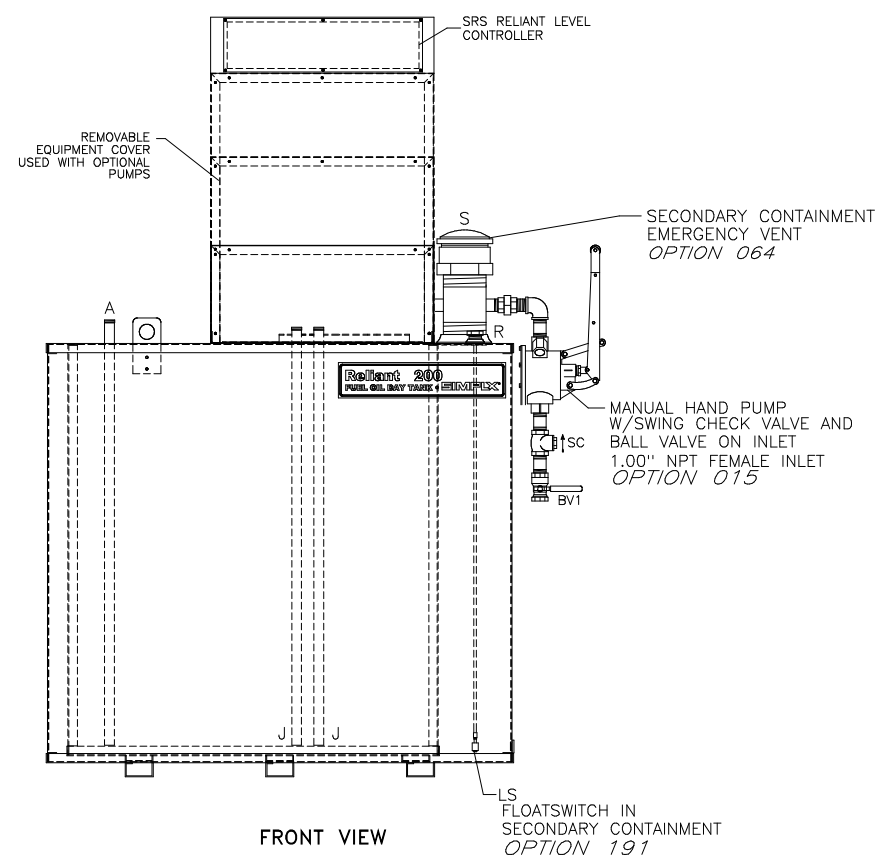
DAY TANK SHOWN WITH STANDARD CONTROL SECTION  
 AND OPTIONAL DUPLEX PUMP/LARGE PUMP SECTION  
 SEE TANK HEIGHT DETAIL.



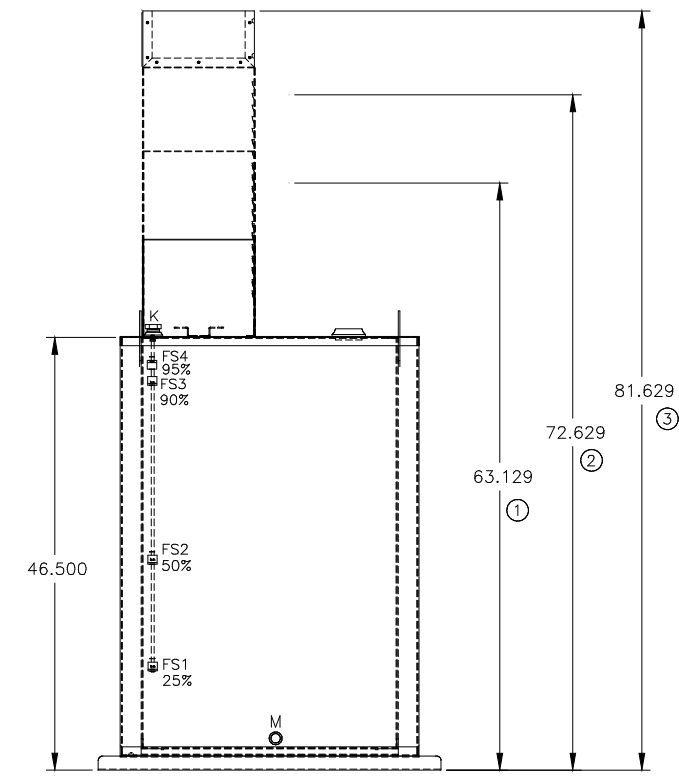
REAR VIEW



LEFT SIDE VIEW



FRONT VIEW



RIGHT SIDE VIEW

THE INFORMATION HEREON IS THE PROPERTY OF SIMPLEX, INC., AND/OR ITS SUBSIDIARIES. WITHOUT WRITTEN PERMISSION ANY COPYING, TRANSMITTAL TO OTHERS AND USE EXCEPT THAT FOR WHICH IT IS LOANED IS PROHIBITED.  
 © 2008 SIMPLEX, INC. ALL RIGHTS RESERVED

OPTIONS INSTALLED	OPTIONS INSTALLED	OPTIONS SHIPPED LOOSE
<input type="checkbox"/> X002-DELETION OF STD PUMP & MOTOR	<input type="checkbox"/> 125-EXTRA ENGINE SUCTION DROP TUBE	<input type="checkbox"/> 060-FUEL STRAINER .75" NPT, 40 MESH
<input type="checkbox"/> 010-MANUAL HAND PUMP	<input type="checkbox"/> 191-FLOATSWITCH IN CONTAINMENT	<input type="checkbox"/> 060-FUEL STRAINER 1.00" NPT, 40 MESH
<input type="checkbox"/> 015-MANUAL HAND PUMP	<input type="checkbox"/> 192-CONTAINMENT DRAIN BALL VALVE	<input type="checkbox"/> 063-VENT CAP, 2.00" NPT
<input type="checkbox"/> 025-MANUAL FILL PIPE W/LOCKABLE CAP	<input type="checkbox"/> 261-INTERNAL CIRCUIT BREAKER	<input type="checkbox"/> 080-SOLENOID VALVE, N.C. 120VAC
<input type="checkbox"/> 064-EMERGENCY TANK VENT 4.00" NPT	<input type="checkbox"/> 345-DUPLEX PUMP CONTROLLER	<input type="checkbox"/> 087-MANUAL SHUT-OFF BALL VALVE .50"NPT
<input type="checkbox"/> 065-TANK DRAIN BALL VALVE	<input type="checkbox"/> 390-OVERFLOW RETURN PUMP & CONTROLLER	<input type="checkbox"/> 087-MANUAL SHUT-OFF BALL VALVE .75"NPT
<input type="checkbox"/> 066-SIPHON DRAIN PIPING ASSEMBLY	<input type="checkbox"/> HIGH TOP USED W/DUPLEX PUMPS-MOTORS	<input type="checkbox"/> 090-FOOT VALVE 1.00" NPT
<input type="checkbox"/> 070-PRIMING TEE & CHECK VALVE ASSEMBLY		<input type="checkbox"/> 093-FUSIBLE LINK VALVE 1.50" NPT
<input type="checkbox"/> 087-MANUAL SHUT-OFF BALL VALVE 1.00"NPT		
<input type="checkbox"/> 120-EXTRA 1.00" PIPE CONNECTION		

**NOTES:**

- CONSTRUCTION: 12 GA. H.R.S.
- LISTING: UL 142
- RATING: ATMOSPHERIC TANK TESTED TO 3 PSI
- FINISH: TANK POWDER COATED BONE WHITE  
EQUIPMENT COVER POWDER COATED BONE WHITE
- DUE TO SYSTEM COMPLEXITY, SOME COMPONENTS MAY NOT BE VISIBLE IN ALL VIEWS
- ALL DIMENSIONS ±.125"

**SIMPLX** SPRINGFIELD, ILLINOIS

SCALE: ~ APPROVED BY: DRAWN BY: DLC  
 DATE: 07/11/08 REVISED:

FUEL OIL DAY TANK RELIANT SERIES 200  
 SECONDARY CONTAINMENT

CAPACITY: 200 GALLONS OPT: XXX  
 W.O.#STANDARD DRAWING NUMBER 8BD181488