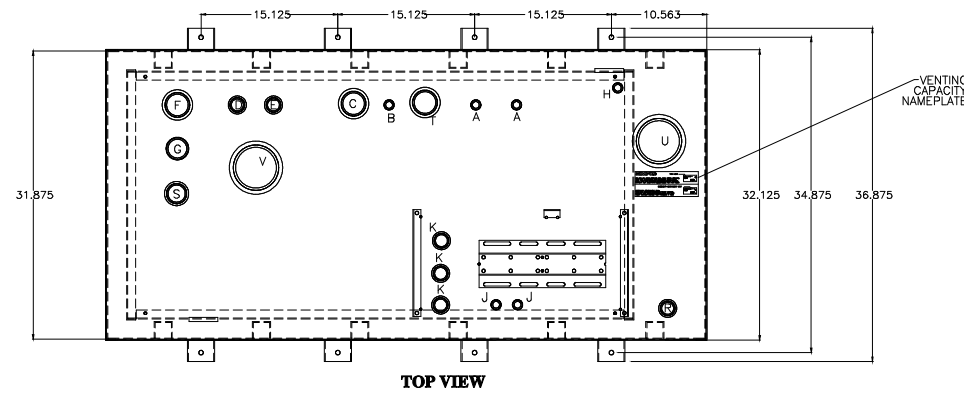


TANK FITTING SCHEDULE		
PORT	DESCRIPTION	SIZE
A	ENGINE SUPPLY DROP TUBE	0.75" NPT, MALE
B	SIPHON DRAIN DROP TUBE	0.75" NPT, MALE
C	EXTRA PORT	2.00" NPT, FEMALE
D	ENGINE RETURN PORT	1.00" NPT, FEMALE
E	EXTRA PIPE FLANGE	1.00" NPT, FEMALE
F	TANK VENT PORT	2.00" NPT, FEMALE
G	MANUAL FILL DROP TUBE	2.00" NPT, MALE
H	HAND PUMP DROP TUBE	0.75" NPT, MALE
J	PUMP CONNECTION TO TANK DROP TUBE	0.75" NPT, MALE
K	FLOATSWITCH MTG/INSPECTION PORT	1.00" NPT, FEMALE
L	SECONDARY CONTAINMENT DRAIN	.375" NPT, FEMALE
R	TANK LEAK FLOAT MOUNTING PORT	1.00" NPT, FEMALE
S	MECHANICAL LEVEL GAUGE MOUNTING PORT	1.50" NPT, FEMALE
U	SECONDARY CONTAINMENT EM VENT PORT	4.00" NPT, FEMALE
V	PRIMARY TANK EMERGENCY VENT PORT	4.00" NPT, FEMALE
T	EXTRA PORT	2.00" NPT, FEMALE

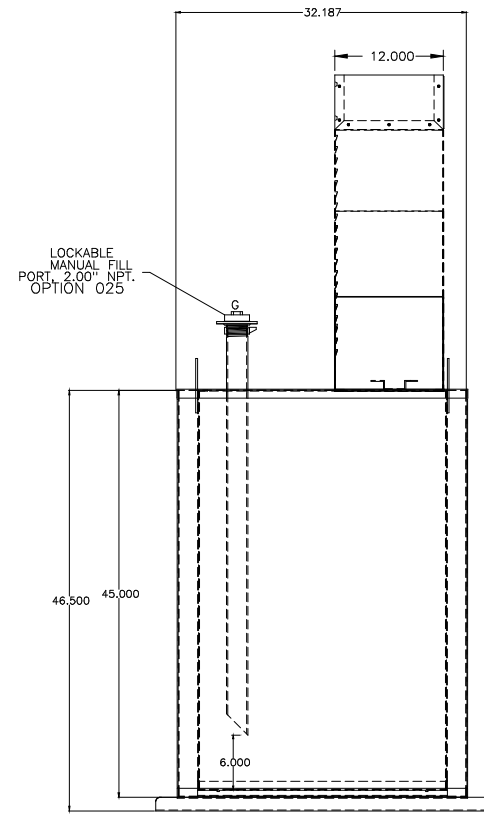
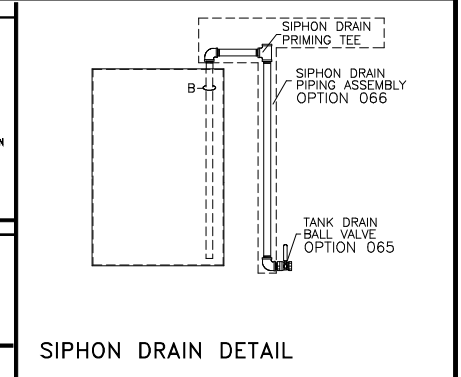
- NOTES:
- 1) CONSTRUCTION: 12 GA. H.R.S.
 - 2) LISTING: UL 142
 - 3) RATING: ATMOSPHERIC TANK TESTED TO 3 PSI
 - 4) FINISH: TANK PRIMED AND FINISH PAINTED ASA 61 GRAY
EQUIPMENT COVER POWDER COATED BONE WHITE
 - 5) DUE TO SYSTEM COMPLEXITY, SOME COMPONENTS MAY NOT BE VISIBLE IN ALL VIEWS
 - 6) ALL DIMENSIONS ±.125"



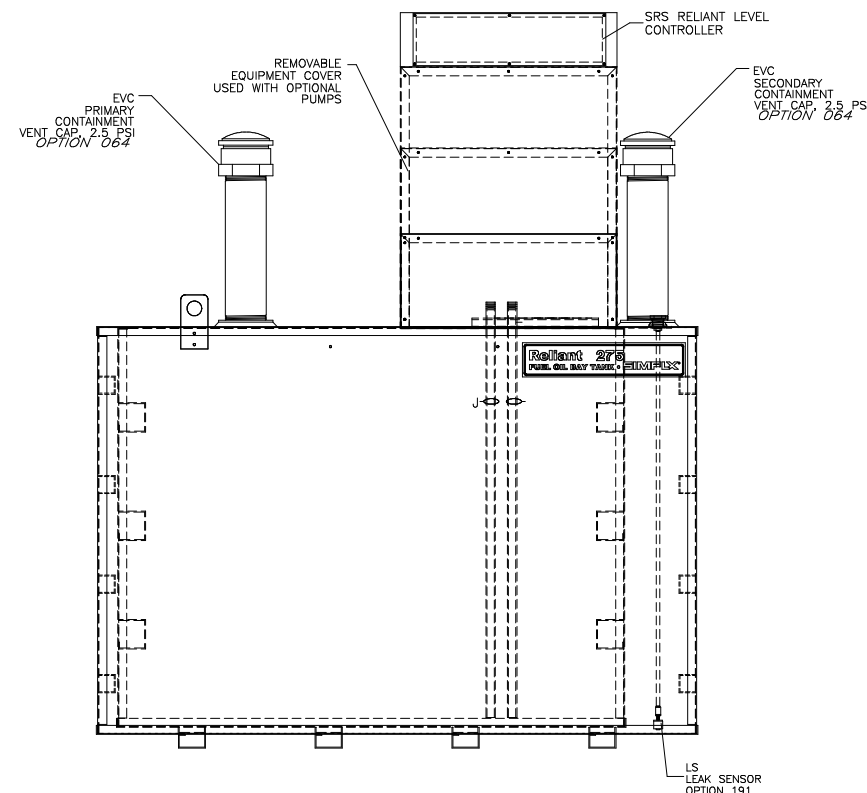
OPTIONS INSTALLED	
<input type="checkbox"/>	X002-DELETION OF STD PUMP & MOTOR
<input type="checkbox"/>	015-MANUAL HAND PUMP
<input type="checkbox"/>	025-MANUAL FILL PIPE W/LOCKABLE CAP
<input type="checkbox"/>	060-FUEL STRAINER, Y-TYPE
<input type="checkbox"/>	061-FUEL STRAINER, Y-TYPE, 1.0" NPT, 40 MESH
<input type="checkbox"/>	064-EMERGENCY VENT CAP, 4.00"NPT., 2.5 P.S.I.
<input type="checkbox"/>	065-TANK DRAIN BALL VALVE
<input type="checkbox"/>	066-SIPHON DRAIN PIPING ASSEMBLY
<input type="checkbox"/>	070-PRIMING TEE & CHECK VALVE ASSEMBLY
<input type="checkbox"/>	080-SOLENOID VALVE, N.C. 115VAC
<input type="checkbox"/>	087-MANUAL SHUT-OFF BALL VALVE
<input type="checkbox"/>	088-MANUAL SHUT-OFF BALL VALVE 1.00"NPT
<input type="checkbox"/>	101-VACUUM GAUGE
<input type="checkbox"/>	190-SECONDARY CONTAINMENT, CLOSED TOP
<input type="checkbox"/>	191-FLOATSWITCH IN SECONDARY CONTAINMENT
<input type="checkbox"/>	192-SECONDARY CONTAINMENT DRAIN BALL VALVE

OPTIONS INSTALLED	
<input type="checkbox"/>	120-EXTRA 1.00" PIPE CONNECTION
<input type="checkbox"/>	125-EXTRA ENGINE SUCTION STANDPIPE
<input type="checkbox"/>	270-POWER AVAILABLE PILOT LIGHT
<input type="checkbox"/>	280-PUMP RUN-OFF-AUTO SWITCH
<input type="checkbox"/>	311-LOW FUEL LEVEL ALARM
<input type="checkbox"/>	312-HIGH FUEL LEVEL ALARM
<input type="checkbox"/>	325-HIGH FUEL LEVEL PUMP STOP
<input type="checkbox"/>	333-CRITICAL LOW LEVEL ALARM-ENGINE SHUT DOWN
<input type="checkbox"/>	340-PUMP RUNNING LIGHT
<input type="checkbox"/>	345-DUPLEX PUMP & CONTROLLER
<input type="checkbox"/>	390-RETURN PUMP & CONTROLLER
<input type="checkbox"/>	HIGH TOP USED W/ SINGLE PUMP 3/4 H.P. OR DUPLEX PUMPS/MOTORS

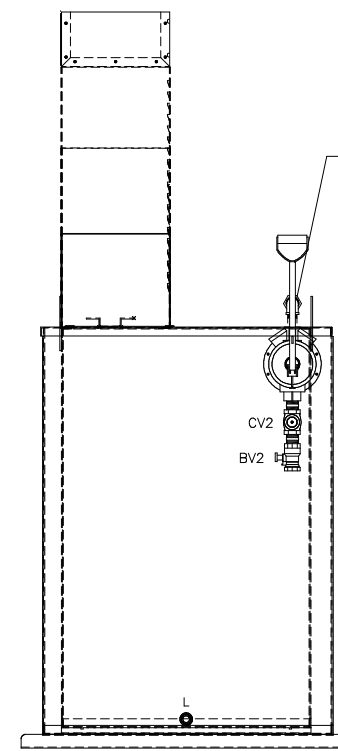
OPTIONS SHIPPED LOOSE	
<input type="checkbox"/>	050-PIPE STAND ADAPTER BASE
<input type="checkbox"/>	063-VENT CAP
<input type="checkbox"/>	087-MANUAL SHUT-OFF BALL VALVE .50"NPT
<input type="checkbox"/>	090-FOOT VALVE 1.00" NPT
<input type="checkbox"/>	093-FUSIBLE LINK VALVE 1.50" NPT
<input type="checkbox"/>	110-RELOCATION OF STD PUMP & MOTOR
<input type="checkbox"/>	377-ANTI-SIPHON SOLENOID VALVE, N.O. 120VAC



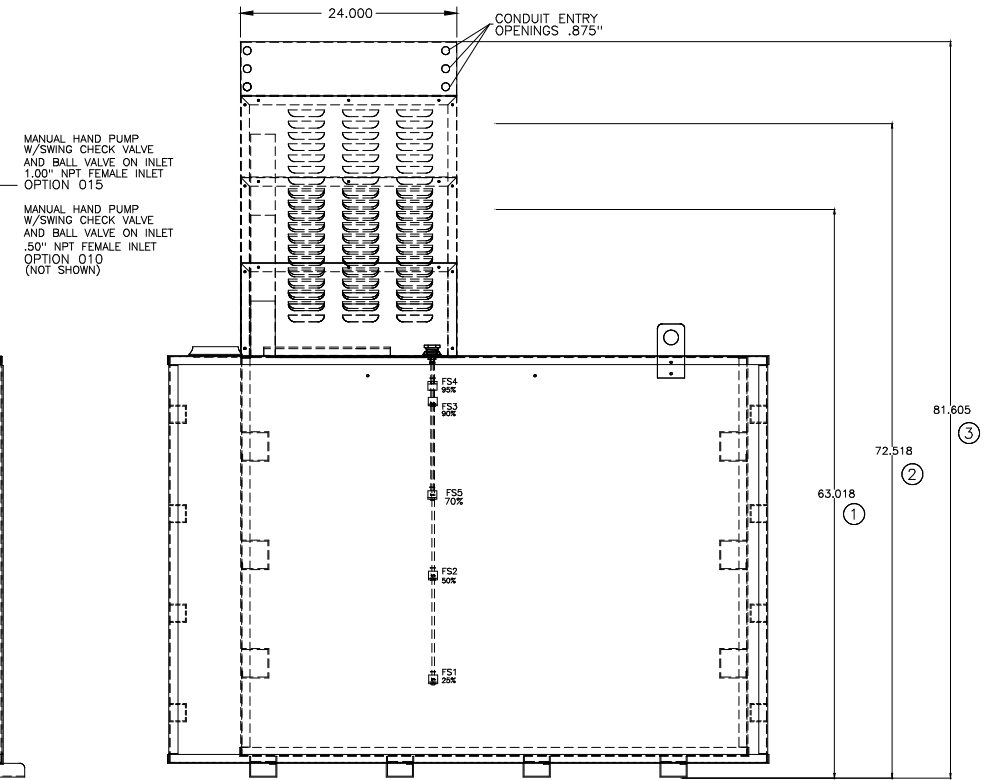
L.H. VIEW



FRONT VIEW



R.H. VIEW



REAR VIEW

- NOTES:
- 1) CONSTRUCTION: 12 GA. H.R.S.
 - 2) LISTING: UL 142
 - 3) RATING: ATMOSPHERIC TANK TESTED TO 3 PSI
 - 4) FINISH: TANK POWDER COATED BONE WHITE
EQUIPMENT COVER POWDER COATED BONE WHITE
 - 5) DUE TO SYSTEM COMPLEXITY, SOME COMPONENTS MAY NOT BE VISIBLE IN ALL VIEWS
 - 6) ALL DIMENSIONS ±.125"

DAY TANK SHOWN WITH STANDARD CONTROL SECTION AND OPTIONAL DUPLEX PUMP/LARGE PUMP SECTION SEE TANK HEIGHT DETAIL.

THE INFORMATION HEREON IS THE PROPERTY OF SIMPLEX, INC., AND/OR ITS SUBSIDIARIES. WITHOUT WRITTEN PERMISSION ANY COPYING, TRANSMITTAL TO OTHERS AND USE EXCEPT THAT FOR WHICH IT IS LOANED IS PROHIBITED.
© 2008 SIMPLEX, INC. ALL RIGHTS RESERVED

SIMPLX		SPRINGFIELD, ILLINOIS	
SCALE : ~	APPROVED BY :	DRAWN BY : DLC	
DATE : 07/15/08		REVISED :	
FUEL OIL DAY TANK		SRS 275 RELIANT SECONDARY CONTAINMENT TANK	
CAPACITY 275 GALLONS		OPT:XXX	
W.O.# STANDARD		DRAWING NUMBER 8BD181617	