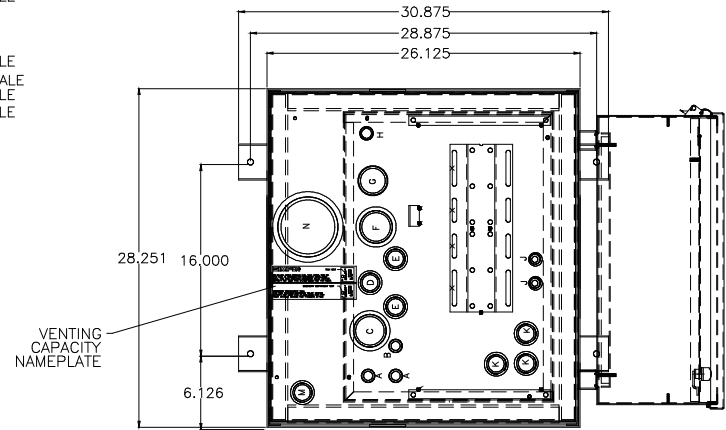


**TANK FITTING SCHEDULE**

PORT	DESCRIPTION	
A	ENGINE SUPPLY DROP TUBE	0.75" NPT, MALE
B	SIPHON DRAIN DROP TUBE	0.75" NPT, MALE
C	TANK OVERFLOW PORT	2.00" NPT, FEMALE
D	ENGINE RETURN PORT	1.00" NPT, FEMALE
E	EXTRA PIPE FLANGE	1.00" NPT, FEMALE
F	TANK VENT PORT	2.00" NPT, FEMALE
G	MANUAL FILL DROP TUBE	2.00" NPT, MALE
H	HAND PUMP DROP TUBE	0.75" NPT, MALE
J	PUMP CONNECTION TO TANK	0.75" NPT, MALE
K	FLOATSWITCH MOUNTING PORT	1.00" NPT, FEMALE
L	CONTAINMENT DRAIN	0.375" NPT, FEMALE
M	LEAK SENSOR PORT	1.00" NPT, FEMALE
N	SECONDARY CONTAINMENT EMERGENCY VENT	4.00" NPT, FEMALE



**OPTIONS INSTALLED**

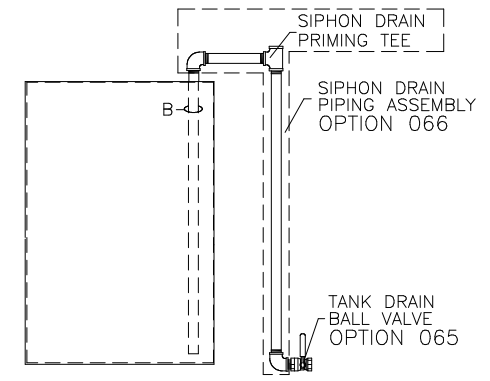
- X002-DELETION OF STD PUMP & MOTOR
- 015-MANUAL HAND PUMP
- 025-MANUAL FILL PIPE W/LOCKABLE CAP
- 060-FUEL STRAINER, Y-TYPE
- 061-FUEL STRAINER, Y-TYPE, 1.0" NPT, 40 MESH
- 064-EMERGENCY VENT CAP, 4.00"NPT., 2.5 P.S.I.
- 065-TANK DRAIN BALL VALVE
- 066-SIPHON DRAIN PIPING ASSEMBLY
- 070-PRIMING TEE & CHECK VALVE ASSEMBLY
- 080-SOLENOID VALVE, N.C. 115VAC
- 087-MANUAL SHUT-OFF BALL VALVE
- 088-MANUAL SHUT-OFF BALL VALVE 1.00"NPT
- 101-VACUUM GAUGE
- 190-SECONDARY CONTAINMENT, CLOSED TOP
- 191-FLOATSWITCH IN SECONDARY CONTAINMENT
- 192-SECONDARY CONTAINMENT DRAIN BALL VALVE

**OPTIONS INSTALLED**

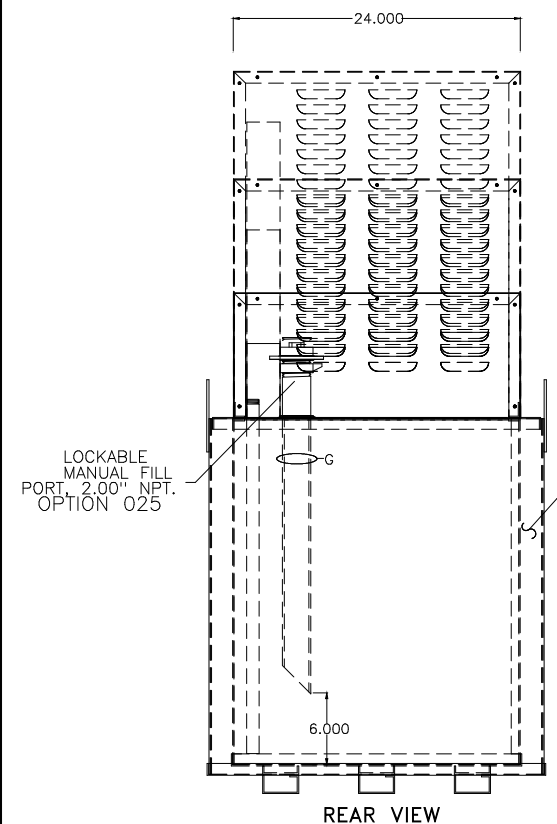
- 120-EXTRA 1.00" PIPE CONNECTION
- 125-EXTRA ENGINE SUCTION STANDPIPE
- 270-POWER AVAILABLE PILOT LIGHT
- 280-PUMP RUN-OFF-AUTO SWITCH
- 311-LOW FUEL LEVEL ALARM
- 312-HIGH FUEL LEVEL ALARM
- 325-HIGH FUEL LEVEL PUMP STOP
- 333-CRITICAL LOW LEVEL ALARM-ENGINE SHUT DOWN
- 340-PUMP RUNNING LIGHT
- 345-DUPLEX PUMP CONTROLLER
- 390-RETURN PUMP & CONTROLLER
- HIGH TOP USED W/ SINGLE PUMP 3/4 H.P. OR DUPLEX PUMPS/MOTORS

**OPTIONS SHIPPED LOOSE**

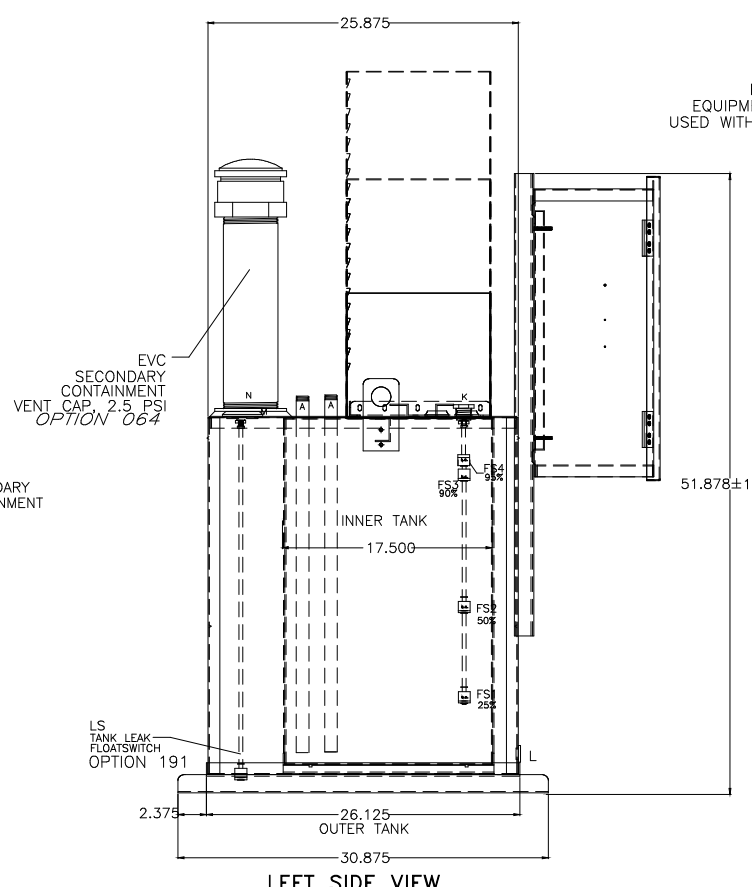
- 050-PIPE STAND ADAPTER BASE
- 063-VENT CAP
- 087-MANUAL SHUT-OFF BALL VALVE .50"NPT
- 090-FOOT VALVE 1.00" NPT
- 093-FUSIBLE LINK VALVE 1.50" NPT
- 110-RELOCATION OF STD PUMP & MOTOR
- 377-ANTI-SIPHON SOLENOID VALVE, N.O. 120VAC



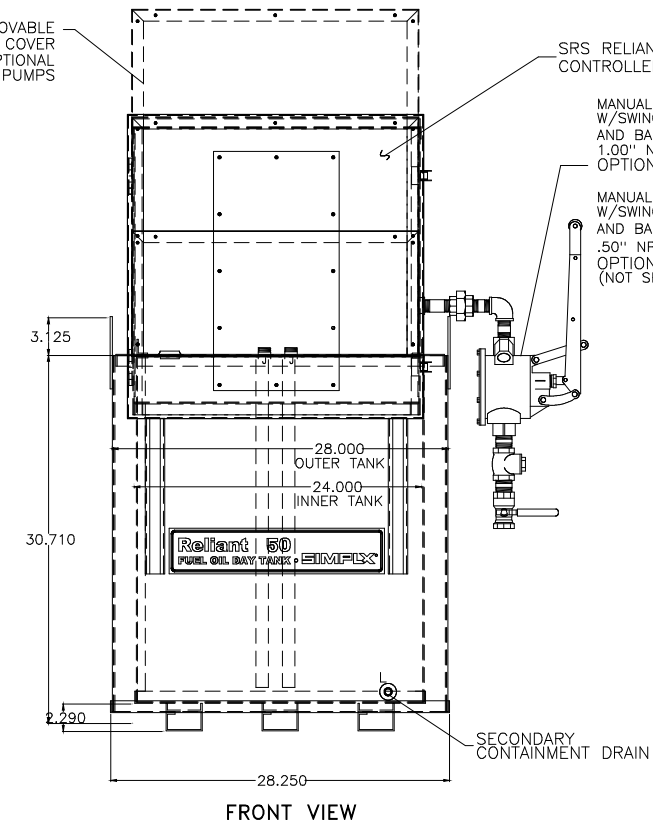
**SIPHON DRAIN DETAIL**



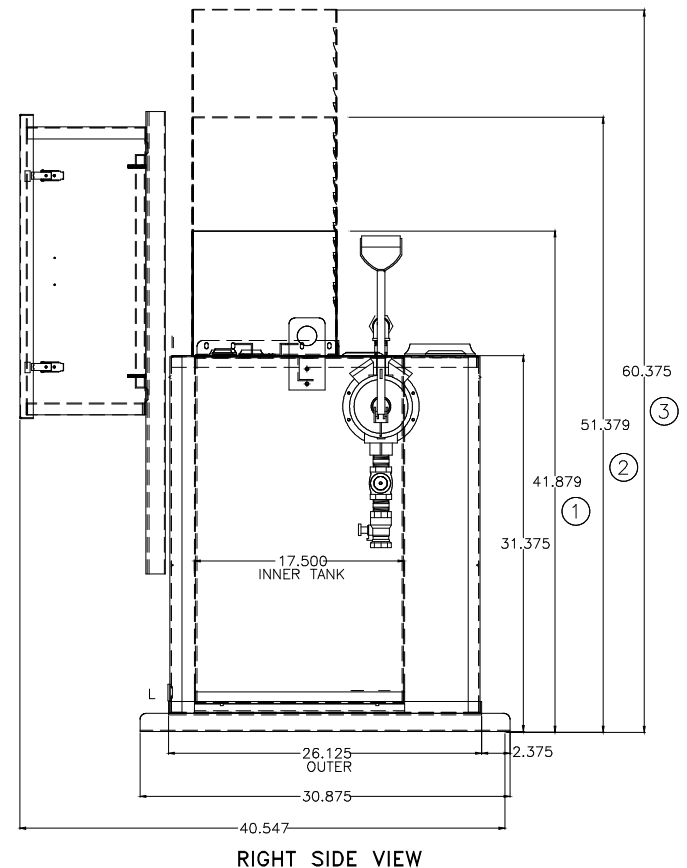
**REAR VIEW**



**LEFT SIDE VIEW**



**FRONT VIEW**



**RIGHT SIDE VIEW**

DAY TANK SHOWN WITH STANDARD CONTROL SECTION AND OPTIONAL DUPLEX PUMP/LARGE PUMP SECTION SEE TANK HEIGHT DETAIL.

**NOTES:**

- 1) CONSTRUCTION: 12 GA. H.R.S.
- 2) LISTING: UL 142
- 3) RATING: ATMOSPHERIC TANK TESTED TO 3 PSI
- 4) FINISH: TANK POWDER COATED BONE WHITE  
EQUIPMENT COVER POWDER COATED BONE WHITE
- 5) DUE TO SYSTEM COMPLEXITY, SOME COMPONENTS MAY NOT BE VISIBLE IN ALL VIEWS
- 6) ALL DIMENSIONS ±.125"

THE INFORMATION HEREON IS THE PROPERTY OF SIMPLEX, INC., AND/OR ITS SUBSIDIARIES. WITHOUT WRITTEN PERMISSION ANY COPYING, TRANSMITTAL TO OTHERS AND USE EXCEPT THAT FOR WHICH IT IS LOANED IS PROHIBITED.  
© 2008 SIMPLEX, INC. ALL RIGHTS RESERVED

DISK S/N: 9066

**SIMPLX**® SPRINGFIELD, ILLINOIS

SCALE : ~	APPROVED BY :	DRAWN BY : DLC
DATE : 07/24/08		REVISED :
SECONDARY CONTAINMENT TANK		SRS-50 RELIANT WITH SIDE BOX
CAPACITY: 50 GALLONS		OPT:XXX
W.O. #	STANDARD	DRAWING NUMBER
		181981