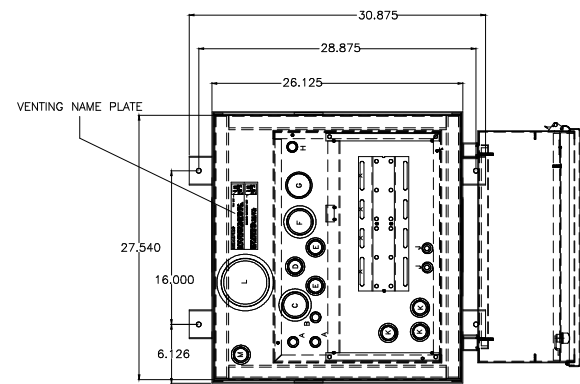
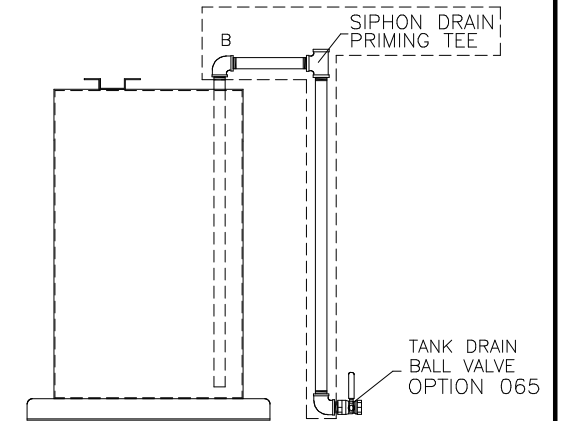


TANK FITTING SCHEDULE		
PORT	DESCRIPTION	SIZE
A	ENGINE SUPPLY DROP TUBE	0.75" NPT, MALE
B	SIPHON DRAIN DROP TUBE	0.75" NPT, MALE
C	OVERFLOW PORT (NOT USED WITH RETURN PUMP)	2.00" NPT, FEMALE
D	ENGINE RETURN PORT	1.00" NPT, FEMALE
E	EXTRA PIPE FLANGE	1.00" NPT, FEMALE
F	TANK VENT PORT	2.00" NPT, FEMALE
G	MANUAL FILL DROP TUBE	2.00" NPT, MALE
H	HAND PUMP DROP TUBE	0.75" NPT, MALE
J	PUMP CONNECTION TO TANK DROP TUBE	0.75" NPT, MALE
K	FLOATSWITCH MTG/INSPECTION PORT	1.00" NPT, FEMALE
L	SECONDARY CONTAINMENT EMERGENCY VENT	4.00" NPT, FEMALE
M	TANK LEAK SENSOR PORT	1.00" NPT, FEMALE
P	SECONDARY CONTAINMENT DRAIN	.375" NPT, FEMALE

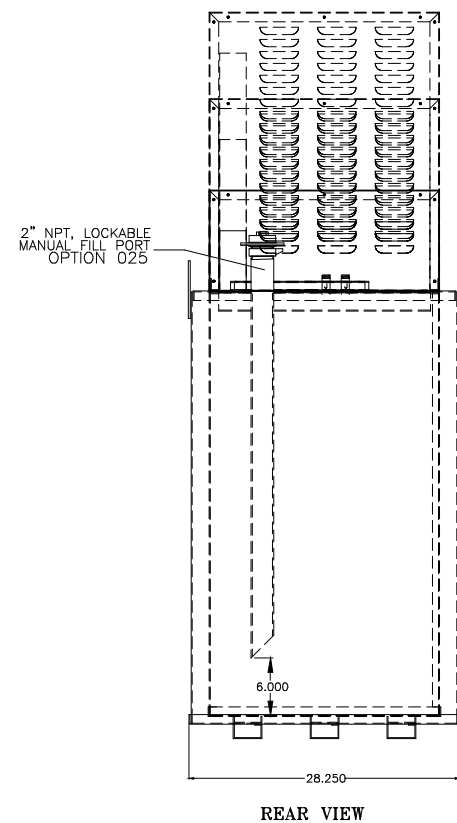


OPTIONS INSTALLED	OPTIONS INSTALLED
<input type="checkbox"/> X002-DELETION OF STD PUMP & MOTOR	<input type="checkbox"/> 120-EXTRA 1.00" PIPE CONNECTION
<input type="checkbox"/> 015-MANUAL HAND PUMP	<input type="checkbox"/> 125-EXTRA ENGINE SUCTION STANDPIPE
<input type="checkbox"/> 025-MANUAL FILL PIPE W/LOCKABLE CAP	<input type="checkbox"/> 270-POWER AVAILABLE PILOT LIGHT
<input type="checkbox"/> 060-FUEL STRAINER, Y-TYPE	<input type="checkbox"/> 280-PUMP RUN-OFF-AUTO SWITCH
<input type="checkbox"/> 061-FUEL STRAINER, Y-TYPE, 1.0" NPT, 40 MESH	<input type="checkbox"/> 311-LOW FUEL LEVEL ALARM
<input type="checkbox"/> 064-EMERGENCY VENT CAP, 4.00"NPT., 2.5 P.S.I.	<input type="checkbox"/> 312-HIGH FUEL LEVEL ALARM
<input type="checkbox"/> 065-TANK DRAIN BALL VALVE	<input type="checkbox"/> 325-HIGH FUEL LEVEL PUMP STOP
<input type="checkbox"/> 066-SIPHON DRAIN PIPING ASSEMBLY	<input type="checkbox"/> 333-CRITICAL LOW LEVEL ALARM-ENGINE SHUT DOWN
<input type="checkbox"/> 070-PRIMING TEE & CHECK VALVE ASSEMBLY	<input type="checkbox"/> 340-PUMP RUNNING LIGHT
<input type="checkbox"/> 080-SOLENOID VALVE, N.C. 115VAC	<input type="checkbox"/> 345-DUPLEX PUMP CONTROLLER
<input type="checkbox"/> 087-MANUAL SHUT-OFF BALL VALVE	<input type="checkbox"/> 390-RETURN PUMP & CONTROLLER
<input type="checkbox"/> 088-MANUAL SHUT-OFF BALL VALVE 1.00"NPT	<input type="checkbox"/> HIGH TOP USED W/ SINGLE PUMP 3/4 H.P. OR DUPLEX PUMPS/MOTORS
<input type="checkbox"/> 101-VACUUM GAUGE	
<input type="checkbox"/> 190-SECONDARY CONTAINMENT, CLOSED TOP	
<input type="checkbox"/> 191-FLOATSWITCH IN SECONDARY CONTAINMENT	
<input type="checkbox"/> 192-SECONDARY CONTAINMENT DRAIN BALL VALVE	
OPTIONS SHIPPED LOOSE	
<input type="checkbox"/> 050-PIPE STAND ADAPTER BASE	
<input type="checkbox"/> 063-VENT CAP	
<input type="checkbox"/> 087-MANUAL SHUT-OFF BALL VALVE .50"NPT	
<input type="checkbox"/> 090-FOOT VALVE 1.00" NPT	
<input type="checkbox"/> 093-FUSIBLE LINK VALVE 1.50" NPT	
<input type="checkbox"/> 110-RELOCATION OF STD PUMP & MOTOR	
<input type="checkbox"/> 377-ANTI-SIPHON SOLENOID VALVE, N.O. 120VAC	

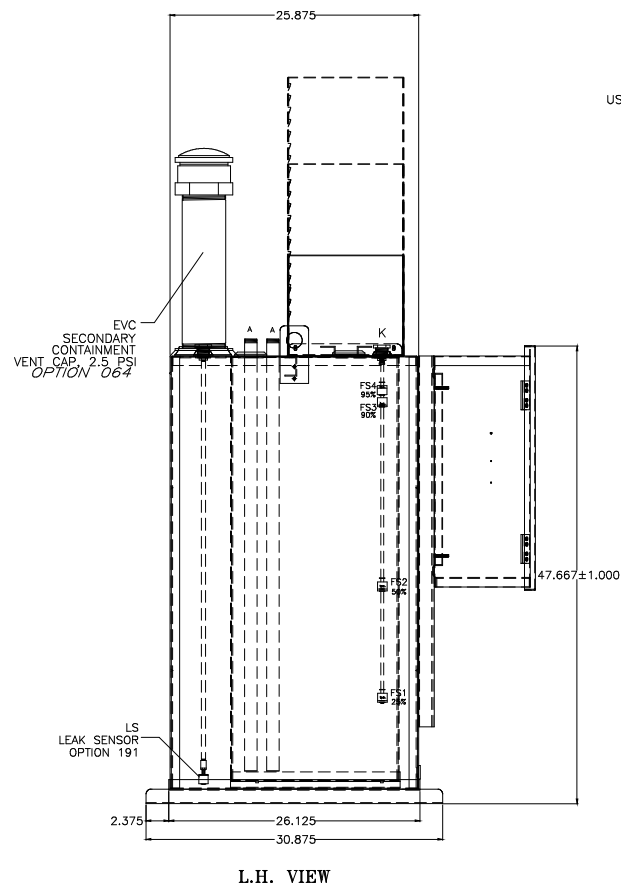
DAY TANK SHOWN WITH STANDARD CONTROL SECTION AND OPTIONAL DUPLEX PUMP/LARGE PUMP SECTION SEE TANK HEIGHT.



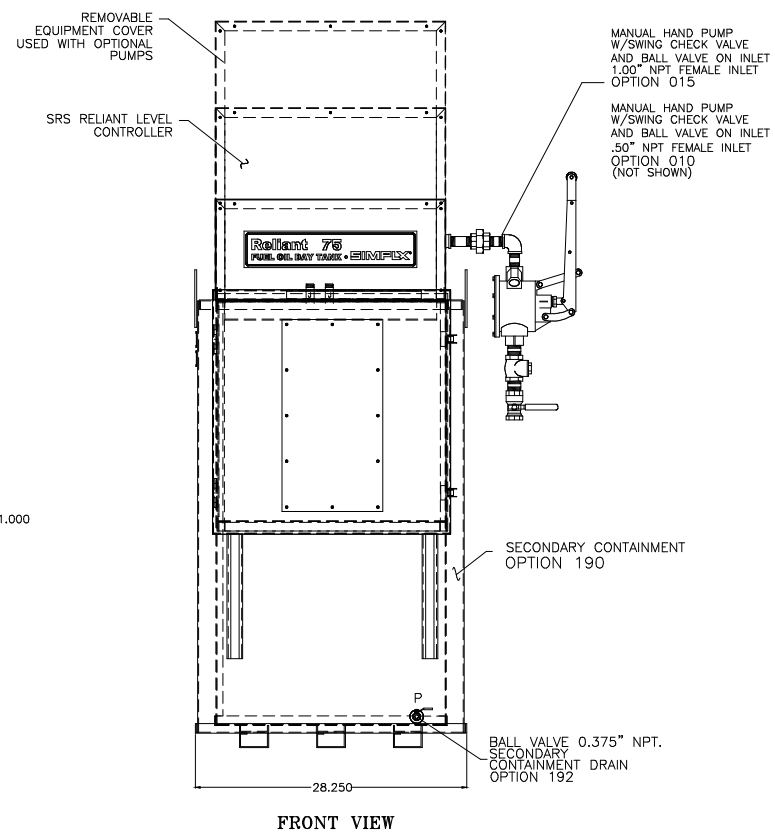
SIPHON DRAIN DETAIL



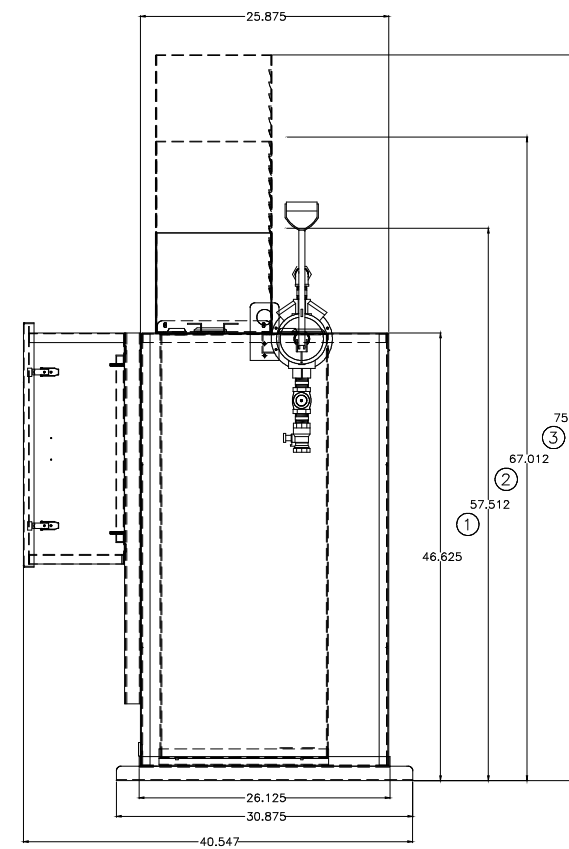
REAR VIEW



L.H. VIEW



FRONT VIEW



- NOTES:
- 1) CONSTRUCTION: 12 GA. H.R.S.
 - 2) LISTING: UL 142
 - 3) RATING: ATMOSPHERIC TANK TESTED TO 3 PSI
 - 4) FINISH: TANK POWDER COATED BONE WHITE
EQUIPMENT COVER POWDER COATED BONE WHITE
 - 5) DUE TO SYSTEM COMPLEXITY, SOME COMPONENTS MAY NOT BE VISIBLE IN ALL VIEWS
 - 6) ALL DIMENSIONS ±.125"

THE INFORMATION HEREON IS THE PROPERTY OF SIMPLEX, INC., AND/OR ITS SUBSIDIARIES. WITHOUT WRITTEN PERMISSION ANY COPYING, TRANSMITTAL TO OTHERS AND USE EXCEPT THAT FOR WHICH IT IS LOANED IS PROHIBITED.
© 2009 SIMPLEX, INC. ALL RIGHTS RESERVED



ADDED INFO. FOR PORT C

REVISED BY: APA
DATE: 08/03/09

REVISED: MOVED ASB TO BE FLUSH WITH TOP OF TANK	REVISED BY: APA DATE: 02/25/09
SIMPLEX ® SPRINGFIELD, ILLINOIS	
SCALE: ~	APPROVED BY: _____ DATE: 07/24/08
DRAWN BY: DLC REVISED:	
FUEL OIL DAY TANK CAPACITY 75 GALLONS	SRS 75 RELIANT WITH SIDE BOX
W.O. # STANDARD	DRAWING NUMBER 181982B