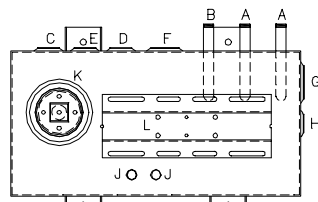
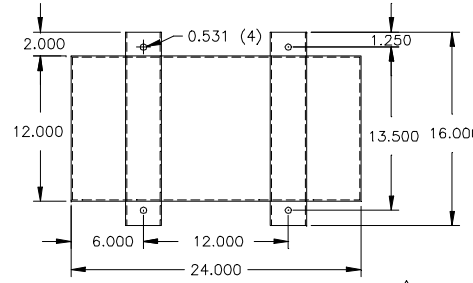


TANK FITTING SCHEDULE		
PORT	DESCRIPTION	SIZE
A	ENGINE SUPPLY DROP TUBE	0.50" NPT, MALE
B	SIPHON DRAIN DROP TUBE	0.50" NPT, MALE
C	OVERFLOW PORT	1.00" NPT, FEMALE
D	ENGINE RETURN PORT	1.00" NPT, FEMALE
E	EXTRA PIPE FLANGE	1.00" NPT, FEMALE
F	TANK VENT PORT	1.50" NPT, FEMALE
G	MANUAL FILL PORT	2.00" NPT, FEMALE
H	HAND PUMP MOUNTING PORT	0.75" NPT, FEMALE
J	PUMP CONNECTION TO TANK DROP TUBE	0.50" NPT, MALE
K	FLOATSWITCH MTG/INSPECTION PORT	3.50" NPT, FEMALE
L	PUMP MOTOR MOUNTING BRACKET	

PUMP INLET		
PUMP	GPM	INLET SIZE
<input type="checkbox"/> STANDARD	2 GPM	.50" NPT INLET
<input type="checkbox"/> OPTION 400	7 GPM	.75" NPT INLET
<input type="checkbox"/> OPTION 410	10 GPM	.75" NPT INLET
<input type="checkbox"/> OPTION 415	17 GPM	.75" NPT INLET
<input type="checkbox"/> OPTION 417	25 GPM	1.25" NPT INLET
<input type="checkbox"/> OPTION 420	3 GPM	.50" NPT INLET
<input type="checkbox"/> OPTION 422	5 GPM	.50" NPT INLET
<input type="checkbox"/> OPTION 424	11 GPM	1.00" NPT INLET
<input type="checkbox"/> OPTION 426	13 GPM	1.25" NPT INLET
<input type="checkbox"/> OPTION 428	28 GPM	1.50" NPT INLET



TANK FITTINGS TOP VIEW

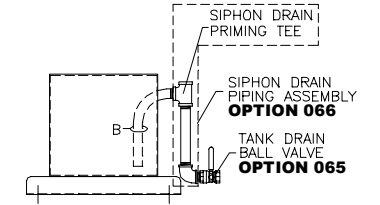


TANK MOUNTING DETAIL

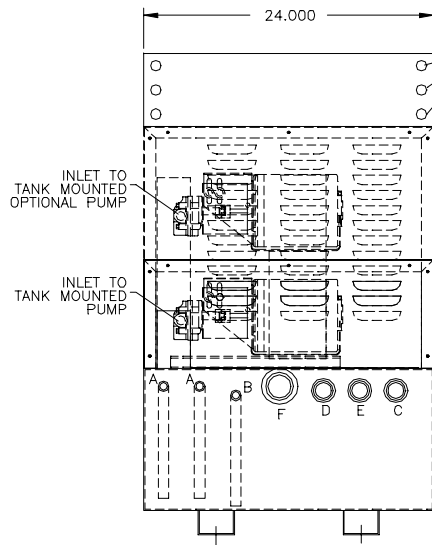
DAY TANK SHOWN WITH STANDARD CONTROL SECTION AND OPTIONAL DUPLEX PUMP/LARGE PUMP SECTION SEE TANK HEIGHT DETAIL BELOW.

DAY TANK HEIGHT

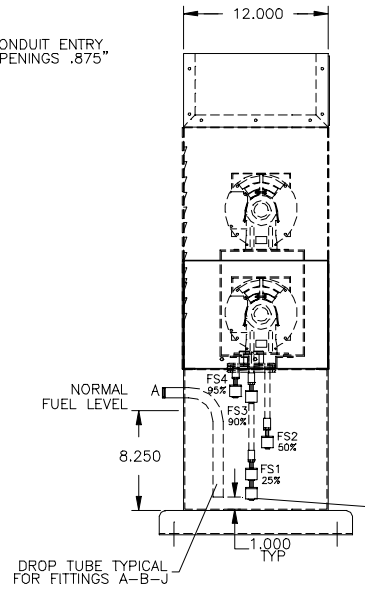
- WITHOUT ON-BOARD PUMP
- WITH SINGLE PUMP 1/3 & 1/2 H.P.
- WITH SINGLE PUMP 3/4 & 1 H.P. OR DUPLEX PUMPS



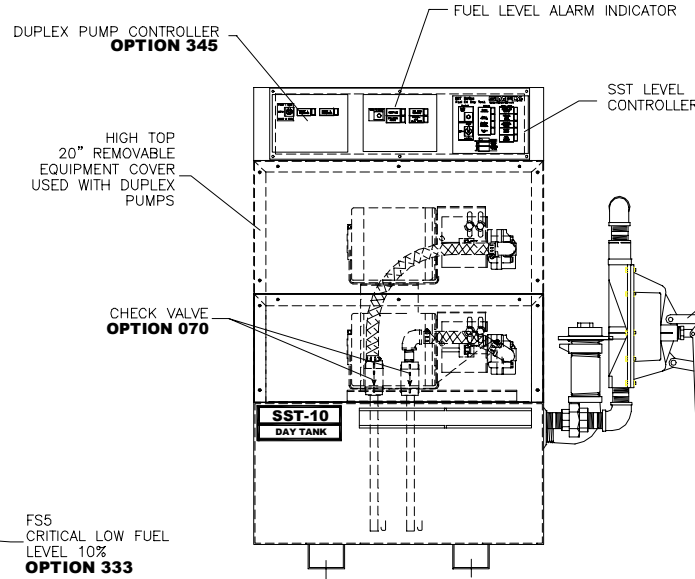
SIPHON DRAIN DETAIL



REAR VIEW



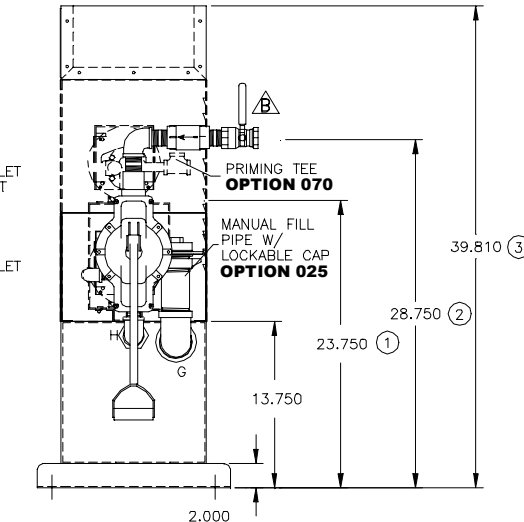
LEFT SIDE VIEW



FRONT VIEW

MANUAL HAND PUMP W/ CHECK VALVE AND BALL VALVE ON INLET 1.00" NPT FEMALE INLET **OPTION 015**

MANUAL HAND PUMP W/ CHECK VALVE AND BALL VALVE ON INLET .50" NPT FEMALE INLET **OPTION 010** (NOT SHOWN)



RIGHT SIDE VIEW

THE INFORMATION HEREON IS THE PROPERTY OF SIMPLX, INC., AND/OR ITS SUBSIDIARIES. WITHOUT WRITTEN PERMISSION ANY COPYING, TRANSMITTAL TO OTHERS AND USE EXCEPT THAT FOR WHICH IT IS LOANED IS PROHIBITED.

© 1999 SIMPLX, INC. ALL RIGHTS RESERVED

OPTIONS INSTALLED	OPTIONS INSTALLED	OPTIONS SHIPPED LOOSE
<input type="checkbox"/> X002 -DELETION OF STD PUMP & MOTOR	<input type="checkbox"/> 261 -CONTROL POWER ON-OFF CIRCUIT BREAKER	<input type="checkbox"/> 060 - FUEL STRAINER, Y-TYPE, .75" NPT. 40 MESH
<input type="checkbox"/> 010 - MANUAL HAND PUMP	<input type="checkbox"/> 333 -CRITICAL LOW FUEL LEVEL 10%	<input type="checkbox"/> 061 - FUEL STRAINER, Y-TYPE, 1.0" NPT. 40 MESH
<input type="checkbox"/> 015 - MANUAL HAND PUMP	<input type="checkbox"/> 345 - DUPLEX PUMP CONTROLLER	<input type="checkbox"/> 063 - VENT CAP
<input type="checkbox"/> 025 - MANUAL FILL PIPE W/LOCKABLE CAP	<input type="checkbox"/> 390 - OVERFLOW RETURN PUMP & CONTROLLER	<input type="checkbox"/> 087 - MANUAL SHUT-OFF BALL VALVE .50"NPT
<input type="checkbox"/> 040 - WALL MOUNTING BRACKETS	<input type="checkbox"/> HIGH TOP USED W/ SINGLE PUMP 3/4 H.P. OR DUPLEX PUMPS/MOTORS	<input type="checkbox"/> 087 - MANUAL SHUT-OFF BALL VALVE .75"NPT
<input type="checkbox"/> 065 - TANK DRAIN BALL VALVE		<input type="checkbox"/> 088 - MANUAL SHUT-OFF BALL VALVE 1.00"NPT
<input type="checkbox"/> 066 - SIPHON DRAIN PIPING ASSEMBLY		<input type="checkbox"/> 090 - FOOT VALVE 1.00" NPT
<input type="checkbox"/> 070 -PRIMING TEE & CHECK VALVE ASSEMBLY		<input type="checkbox"/> 093 - FUSIBLE LINK VALVE 1.50" NPT
<input type="checkbox"/> 080 -SOLENOID VALVE, N.C. 120VAC		<input type="checkbox"/> 110 -RELOCATION OF STD PUMP & MOTOR
<input type="checkbox"/> 120 -EXTRA 1.00" PIPE CONNECTION		
<input type="checkbox"/> 125 -EXTRA ENGINE SUCTION STANDPIPE		

- NOTES:
- CONSTRUCTION: 12 GA HRS
 - LISTING: UL 142**
 - RATING: ATMOSPHERIC TANK TESTED TO 5 PSI
 - FINISH: TANK PRIMED AND FINISH PAINTED ASA 61 LIGHT GRAY EQUIPMENT COVER PRIMED AND PAINTED SIMPLEX BLUE
 - DUE TO SYSTEM COMPLEXITY, SOME COMPONENTS MAY NOT BE VISIBLE IN ALL VIEWS
 - ALL DIMENSIONS ±.125"
 - TANK FITTINGS A-L ARE STANDARD ON ALL TANKS

DISK S/N: 9054	
B ADDED BALL VALVE	REVISED BY : JDS DATE : 03/22/99
A REVISED TANK MOUNTING DETAIL	REVISED BY : JDS DATE : 08/22/97
SIMPLX SPRINGFIELD, ILLINOIS	
SCALE : ~	APPROVED BY :
DATE : 09/14/98	DATE : 09/14/98
FUEL OIL DAY TANK	SST 10-C
CAPACITY: 10 GALLONS	OPT: XXX
W.O. #XXXX-XX-XX	DRAWING NUMBER 8BD7903B