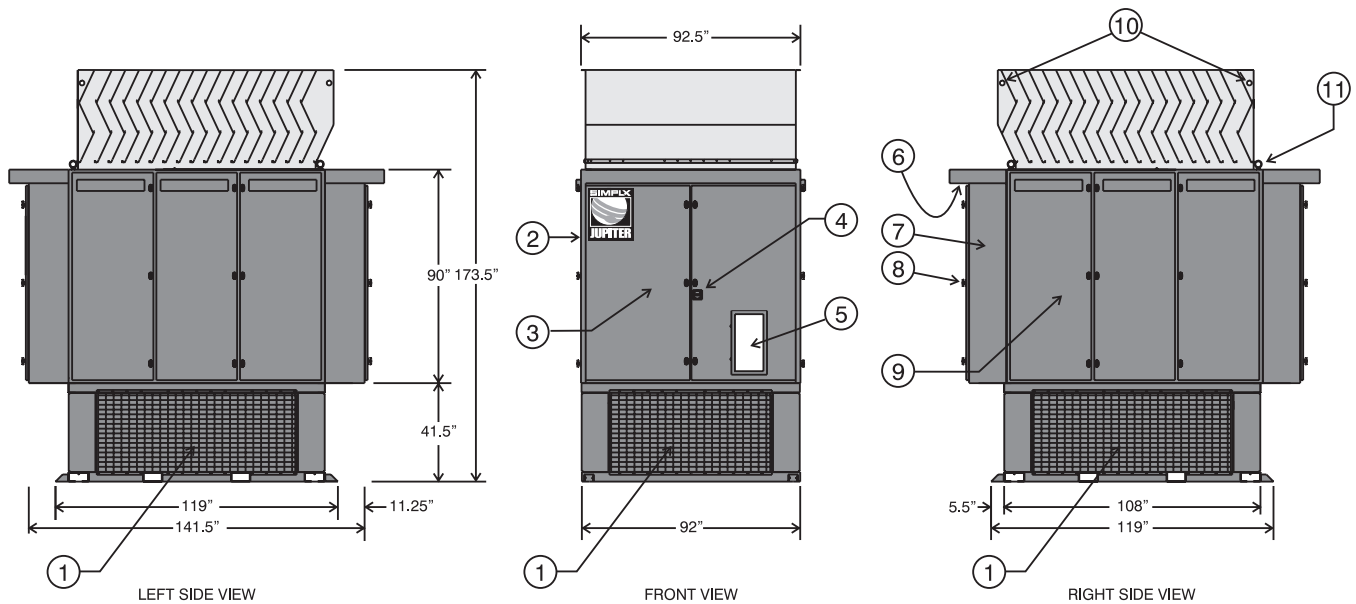


Jupiter Stationary Load Bank

Dimensions and Key Features



- | | |
|---|--|
| 1. Screened Air Intake (all sides) | 7. Nema-3R Control Section |
| 2. Stainless Steel Hinge | 8. Lockable Latch |
| 3. Hinged Door, Access to Load Source Connections | 9. Hinged Doors (both sides) |
| 4. Optional Disconnect Switch | 10. Lifting Provisions (for Exhaust Hood Only) |
| 5. Local Control Panel, Hinged Door | 11. Lifting Eyes, Load Bank |
| 6. Rain Shield Vent Screen | |

SIMPLX®