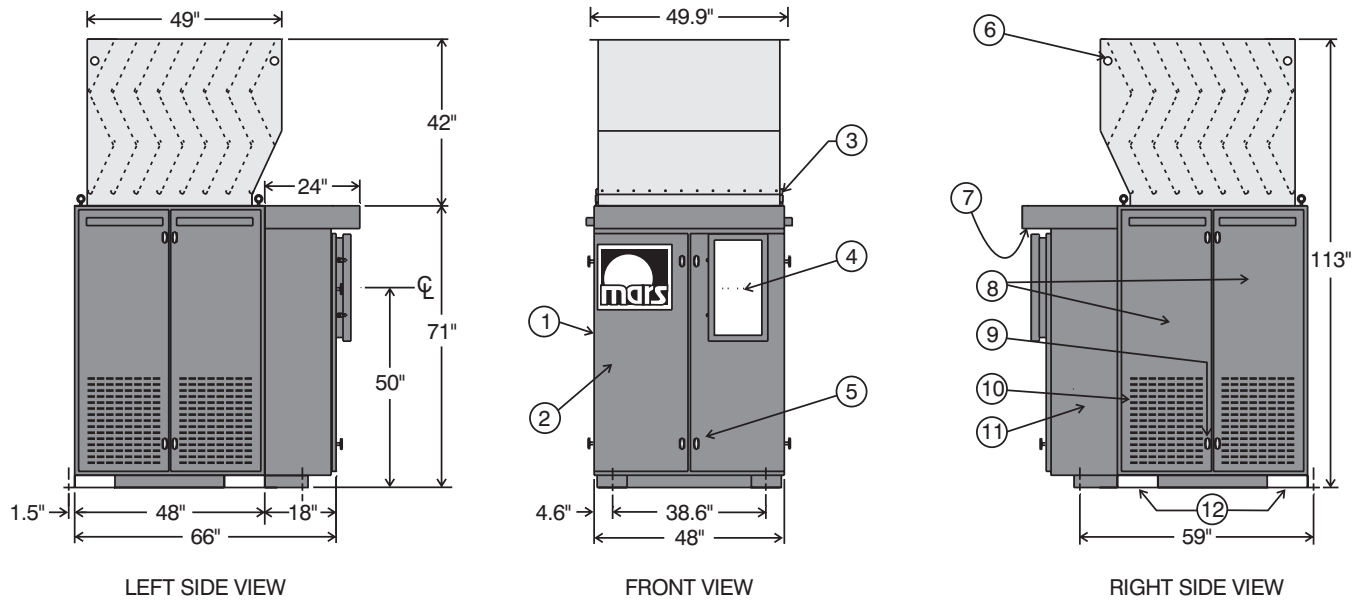


Mars Stationary Load Bank

Dimensions and Key Features



- | | |
|---|---|
| 1. Stainless Steel Hinge | 7. Rain Shield Vent Screen |
| 2. Control Compartment Hinged Door | 8. Hinged Doors, Access to Load Elements |
| 3. Load Bank Lifting Eyes | 9. Lockable Latch |
| 4. Local Control Panel, Hinged Door | 10. Screened Cool Air Intake, 2 each side |
| 5. Lockable Latch | 11. Control Section |
| 6. Lifting Provisions (for Exhaust Hood Only) | 12. Forklift Channels |

SIMPLX®