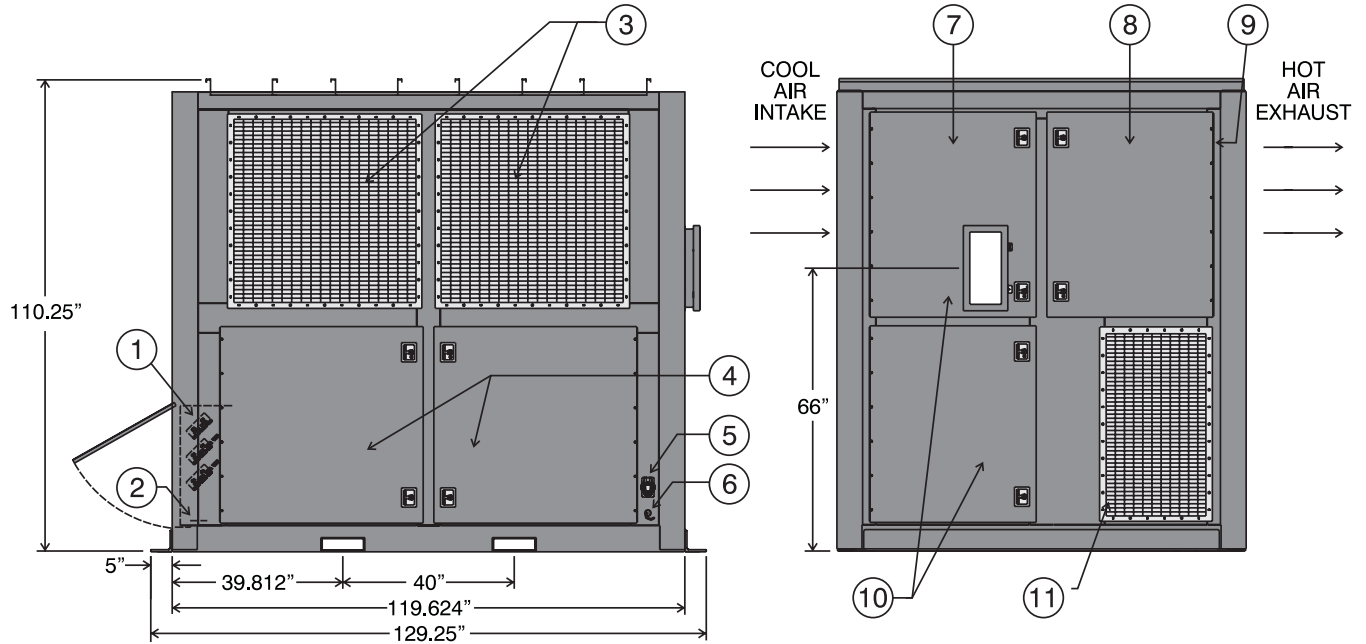


Load Cube

Large Portable Load Bank

Dimensions and Key Features



- | | |
|-----------------------------|----------------------------------|
| 1. Customer connections | 7. Control door |
| 2. Ground | 8. Resistive load element access |
| 3. Resistive intake louvers | 9. Stainless steel hinge |
| 4. Inductor access | 10. Subpanel access |
| 5. External power inlet | 11. Inductor intake louvers |
| 6. Receptacle | |

