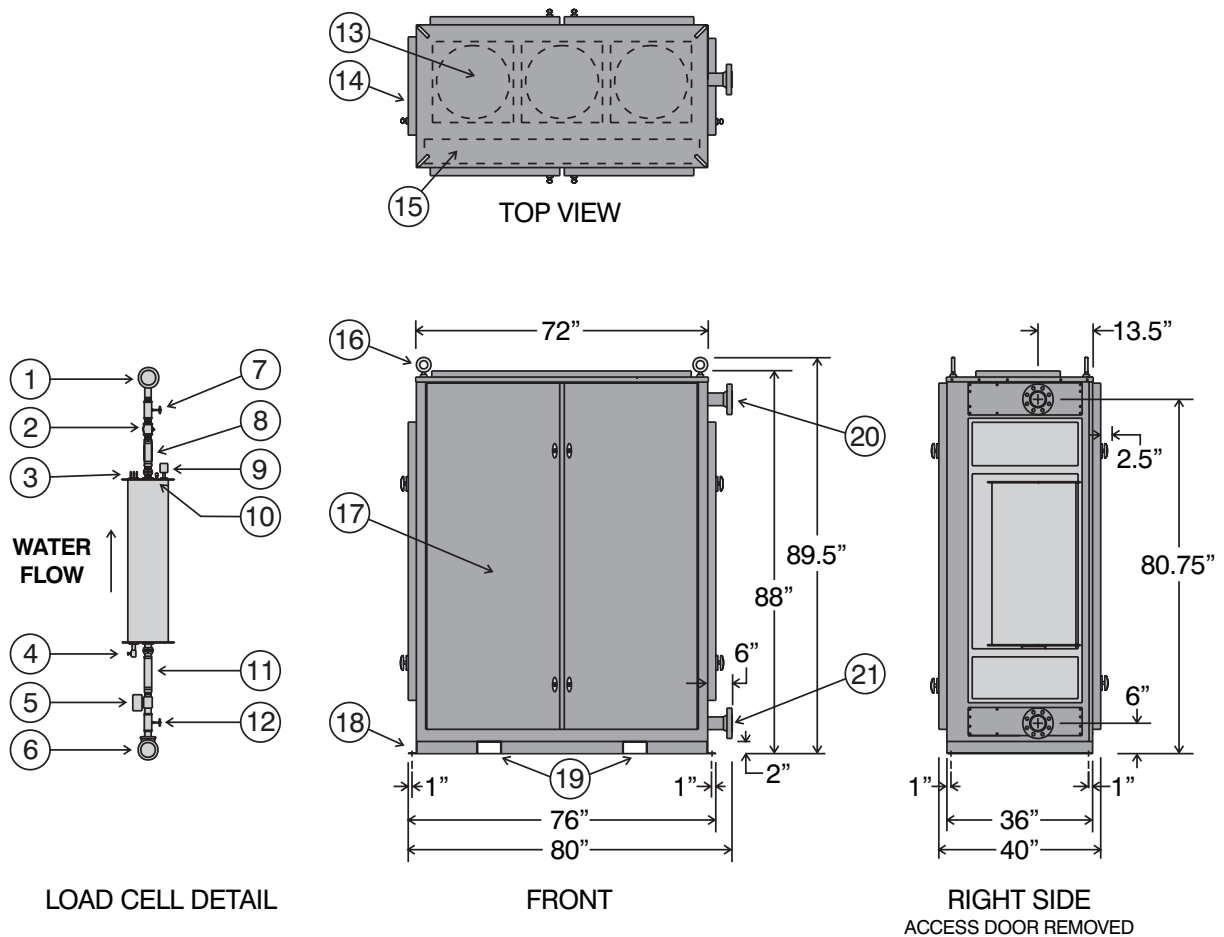


LBW-Series Load Bank

Dimensions and Key Features



- | | |
|------------------------------------|--------------------------------|
| 1. Hot Water Outlet Manifold | 12. Isolation Valve |
| 2. Water Flow Switch | 13. Load Cell |
| 3. Load Resister (Immersion Type) | 14. Hinged Access Doors (6) |
| 4. Drain Valve | 15. Conduit Entry Area |
| 5. Motorized Ball Valve (optional) | 16. Removable Lifting Eyes (4) |
| 6. Cold Water Inlet Manifold | 17. Access to Control Subpanel |
| 7. Isolation Valve | 18. Mounting Holes (4) |
| 8. Flexible Hose | 19. Forklift Channels |
| 9. Water Pressure Switch | 20. Hot Water Exhaust |
| 10. Water Temperature Switch | 21. Cold Water Inlet |
| 11. Flexible Hose | |

SIMPLX®