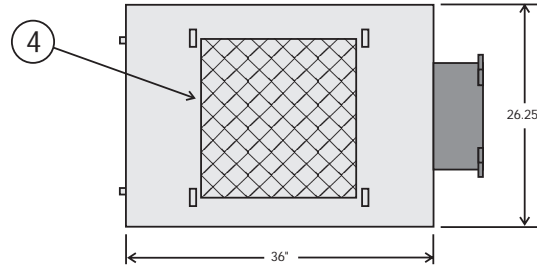
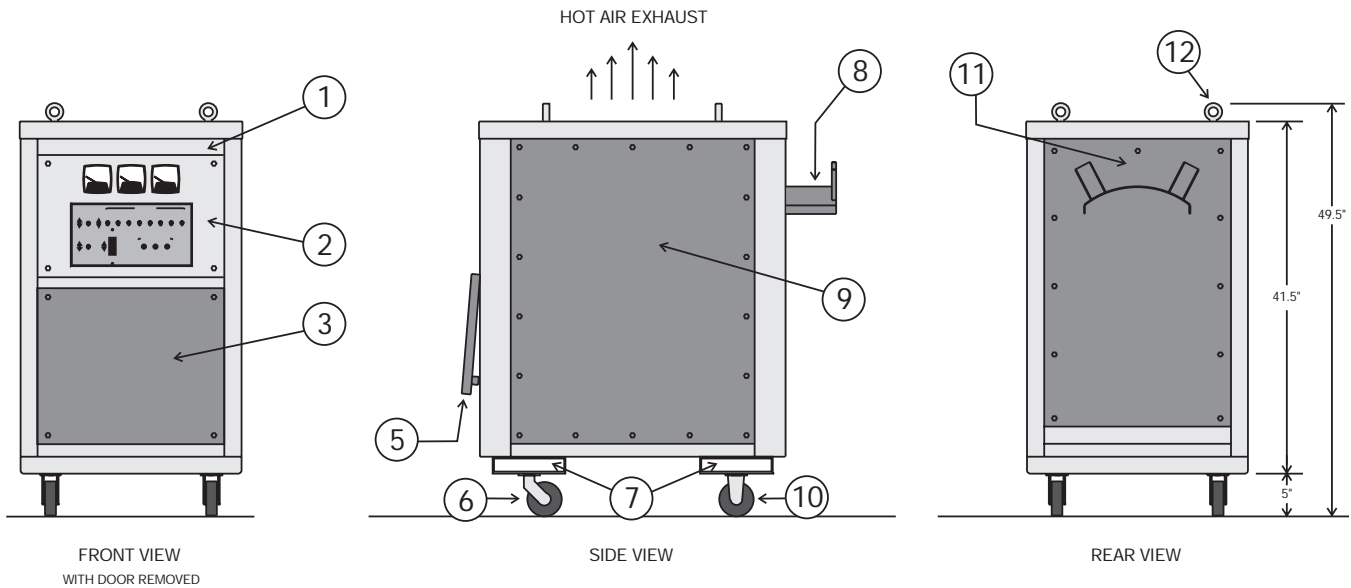


LoadStar Large Portable Load Bank

Dimensions and Key Features



TOP VIEW
WITH CONTROL PANEL DOOR CLOSED



FRONT VIEW
WITH DOOR REMOVED

SIDE VIEW

REAR VIEW

- | | |
|--|---|
| 1. Hand Grip for Moving | 8. Cable Storage Hanger |
| 2. Load Bank Controls and Indicators | 9. Removable Access Panel, Both Sides, to "Powr-Web" Load Element Trays |
| 3. Removable Panel to Access Control Devices | 10. Fixed Caster |
| 4. Screened Hot Air Exhaust | 11. Removable Panel to Access Control Devices |
| 5. Hinged Control Panel Door | 12. Lifting Eyes |
| 6. Swivel Caster | |
| 7. Fork Lift Tubes | |

SIMPLX®