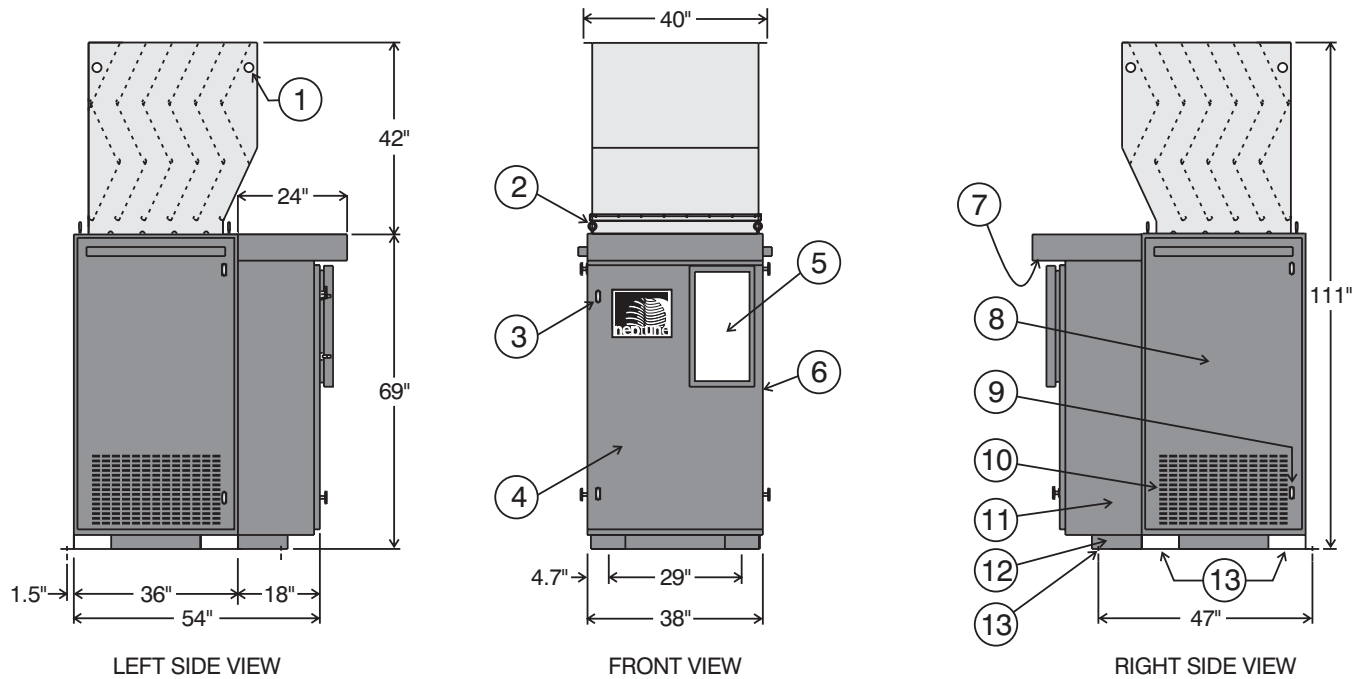


# Neptune Stationary Load Bank

## Dimensions and Key Features



- |   |  |
|---|--|
| 1. Lifting Eye Provisions (for Exhaust Hood Only) | 8. Hinged Door, Access to Load Elements  |
| 2. Load Bank Lifting Eyes                         | 9. Lockable Latch                        |
| 3. Lockable Latch                                 | 10. Screened Cool Air Intake, Both Sides |
| 4. Control Compartment Hinged Door                | 11. Control Section                      |
| 5. Local Control Panel, Hinged Door               | 12. Conduit Entry Location               |
| 6. Stainless Steel Hinge                          | 13. Forklift Channels                    |
| 7. Rain Shield Vent Screen                        |  |

**SIMPLX®**