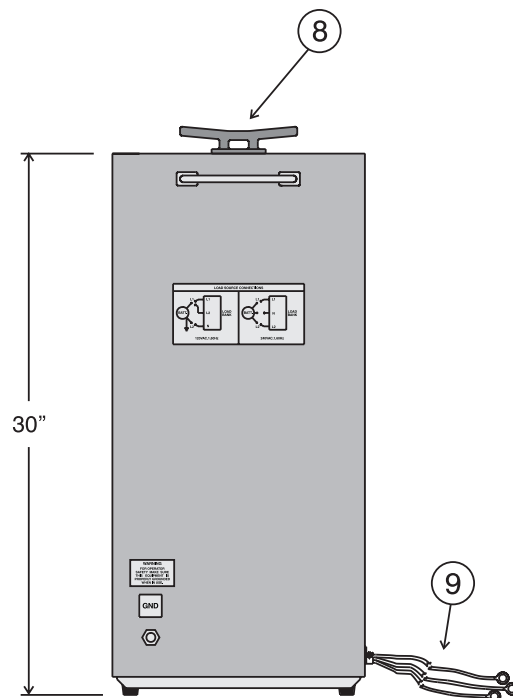
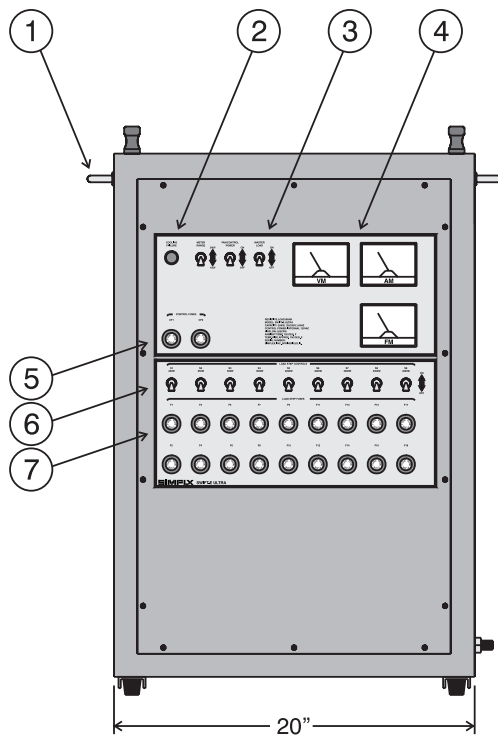
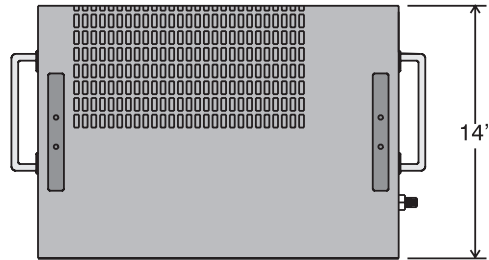


Swift-e Ultra

Portable Load Bank

Dimensions and Key Features



1. Carry Handles
2. Cooling Failure Indicator Lamp
3. Meter Range Toggle Switch, Fan/Control Power Toggle Switch and Master Load Toggle Switch
4. Voltmeter, Ammeter and Frequency Meter

5. Control Fuses
6. Load Step Toggle Switches
7. Load Step Fuses
8. Cable Storage Cleats
9. Load Cable Set

SIMPLX®