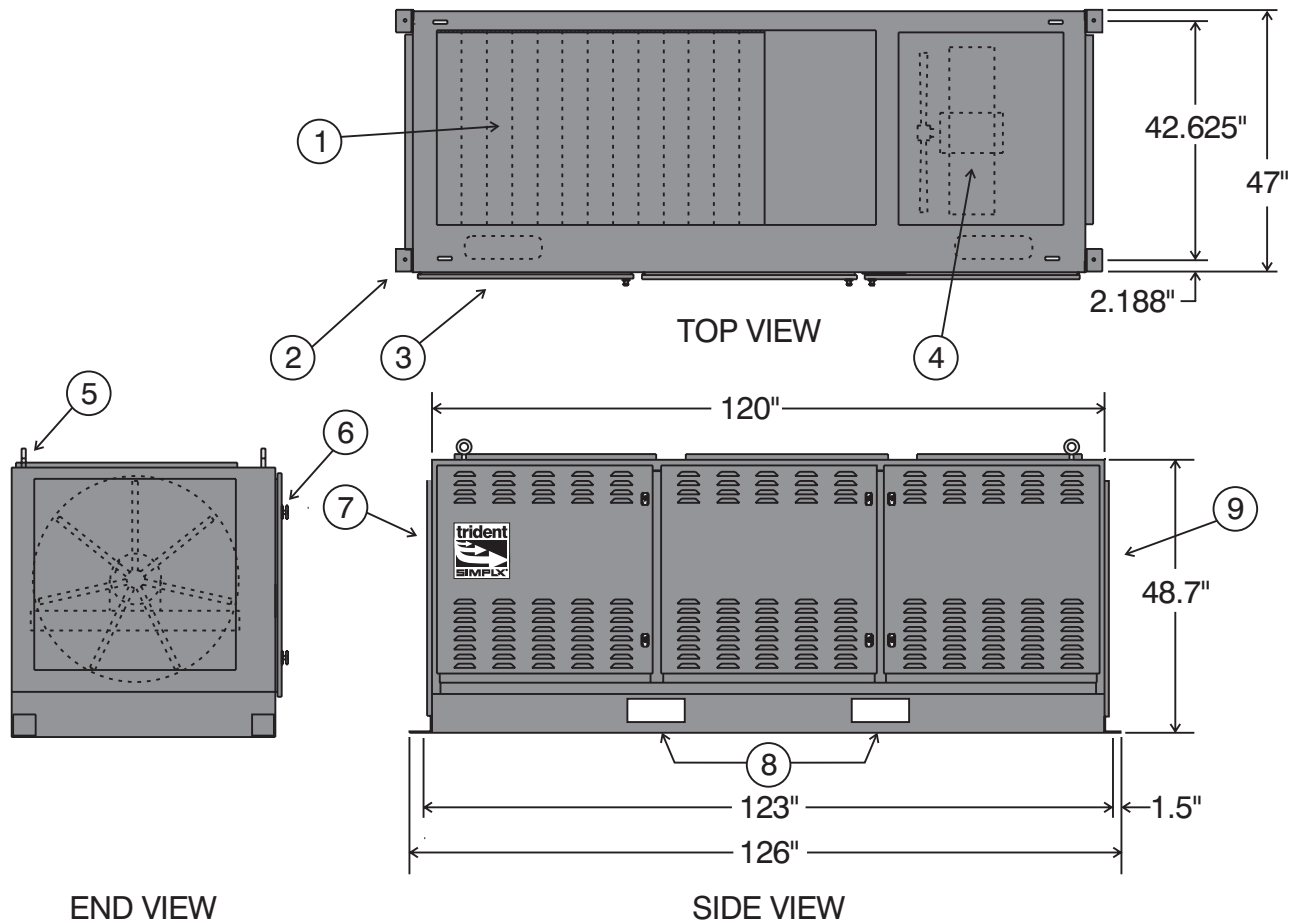


Trident Horizontal Stationary Load Bank

Dimensions and Key Features

- | | |
|-------------------------------------|------------------------------------|
| 1. Load Elements | 6. Top Lockable Latch On All Doors |
| 2. Mounting Holes | 7. Exhaust Air Cover |
| 3. Control Compartment Hinged Doors | 8. Forklift Channels |
| 4. Motor and Fan | 9. Intake Air Cover |
| 5. Lifting Eyes | |



SIMPLX[®]