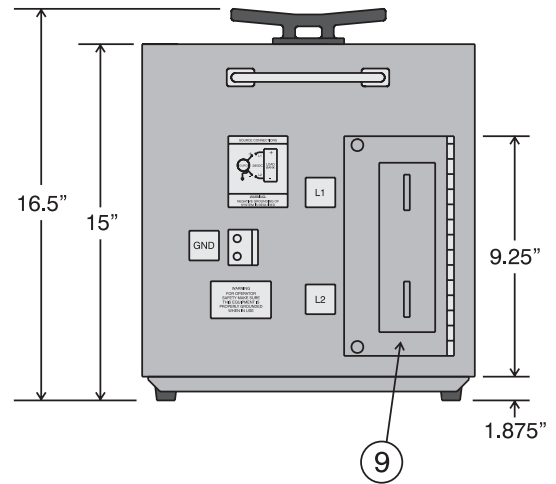
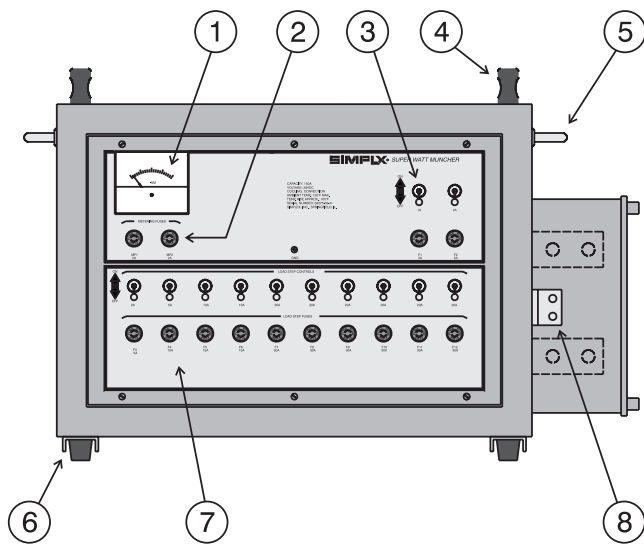
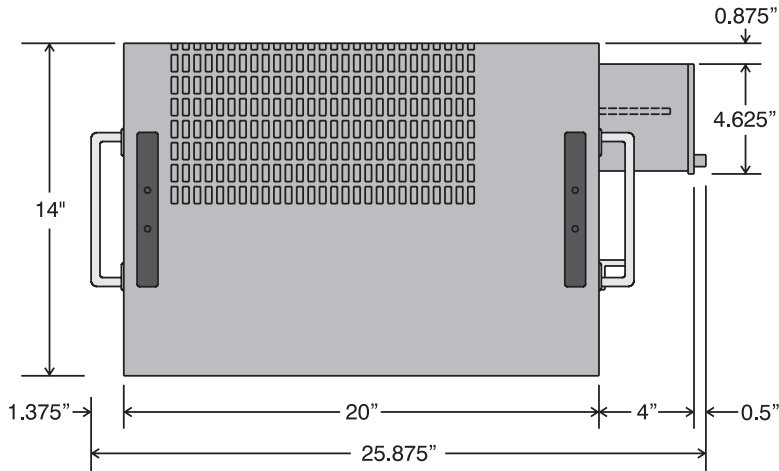


# Watt-Muncher

## Portable Load Bank

### Dimensions and Key Features



- |                                      |  |
|--------------------------------------|--|
| 1. Ammeter                           | 6. Rubber Feet                         |
| 2. Metering Fuses                    | 7. Load Step Toggle Switches and Fuses |
| 3. Control Toggle Switches and Fuses | 8. Ground Bus Bar                      |
| 4. Cable Cleats                      | 9. Hinged Bus Bar Cover                |
| 5. Carry Handles                     |  |

**SIMPLX®**