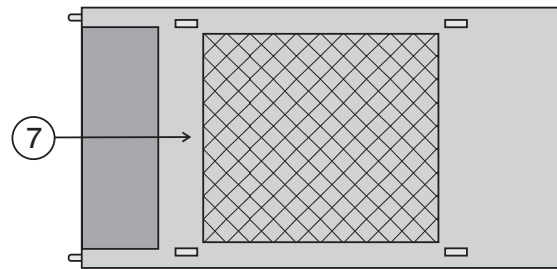


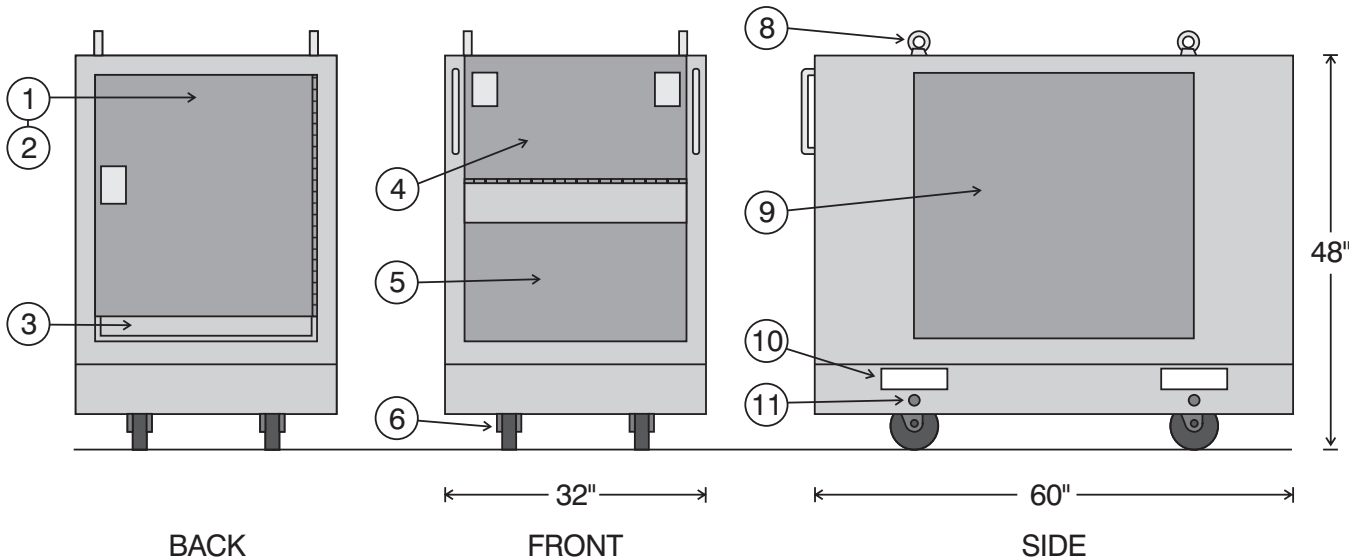
dynaMITE Large Portable Load Bank

Dimensions and Key Features

1. Cable Compartment behind Hinged Door
2. Behind Cable Compartment: Removable Access Panel to Rear Distribution Bus, Fuses, Contactors
3. Cable Exit-Allows Rear Door to Close
4. Instrumentation & Controls behind Doors
5. Removable Access Panel to Front
6. Rubber Tired Caster, 6", Front Swivel, Rear Fixed
7. Screened Hot Air Exhaust
8. Lifting Eyes
9. Removable Access Panel, Both Sides, to "Powr-Web" Load Element Trays
10. Fork Lift Channels
11. Alternate Location of Lifting Eyes Used for Tie-Down Rings



TOP



BACK

FRONT

SIDE

SIMPLX®