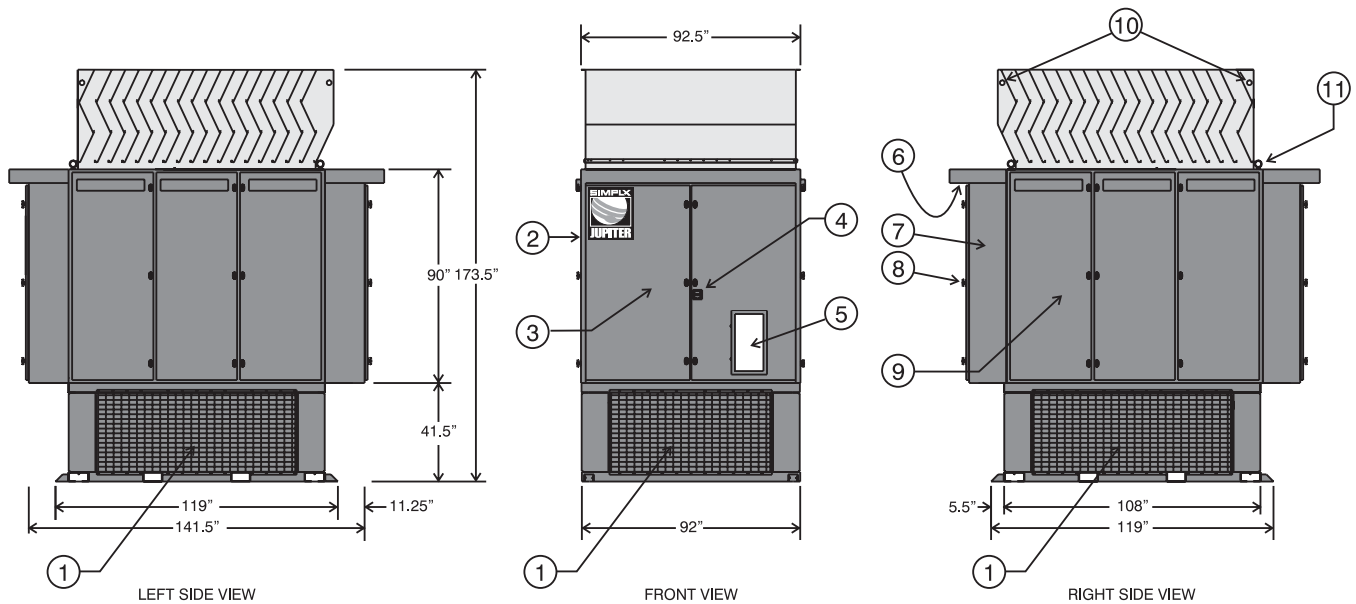


# Jupiter Stationary Load Bank

## Dimensions and Key Features



- |                                                   |                                                |
|---------------------------------------------------|------------------------------------------------|
| 1. Screened Air Intake (all sides)                | 7. Nema-3R Control Section                     |
| 2. Stainless Steel Hinge                          | 8. Lockable Latch                              |
| 3. Hinged Door, Access to Load Source Connections | 9. Hinged Doors (both sides)                   |
| 4. Optional Disconnect Switch                     | 10. Lifting Provisions (for Exhaust Hood Only) |
| 5. Local Control Panel, Hinged Door               | 11. Lifting Eyes, Load Bank                    |
| 6. Rain Shield Vent Screen                        |                                                |

**SIMPLX®**