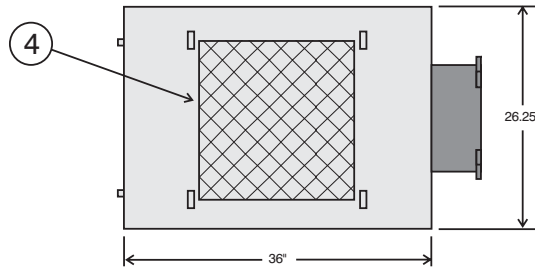
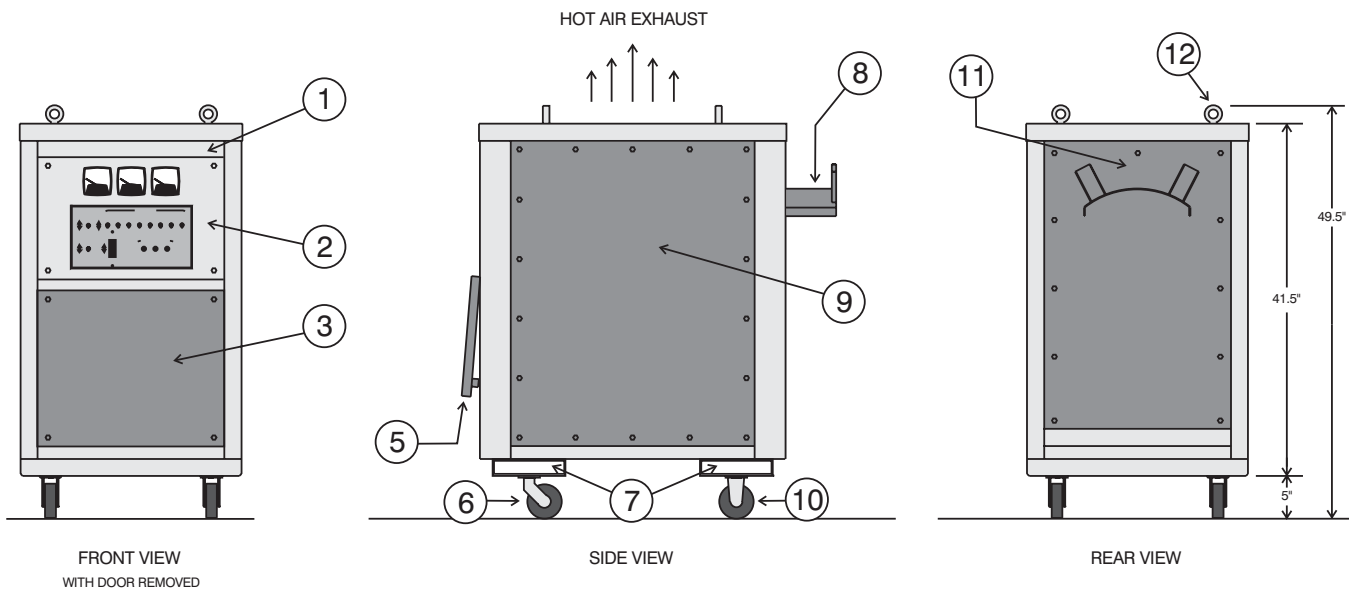


LoadStar Large Portable Load Bank

Dimensions and Key Features



TOP VIEW
WITH CONTROL PANEL DOOR CLOSED



FRONT VIEW
WITH DOOR REMOVED

SIDE VIEW

REAR VIEW

- | | |
|--|---|
| <ol style="list-style-type: none"> 1. Hand Grip for Moving 2. Load Bank Controls and Indicators 3. Removable Panel to Access Control Devices 4. Screened Hot Air Exhaust 5. Hinged Control Panel Door 6. Swivel Caster 7. Fork Lift Tubes | <ol style="list-style-type: none"> 8. Cable Storage Hanger 9. Removable Access Panel, Both Sides, to "Powr-Web" Load Element Trays 10. Fixed Caster 11. Removable Panel to Access Control Devices 12. Lifting Eyes |
|--|---|

SIMPLX®