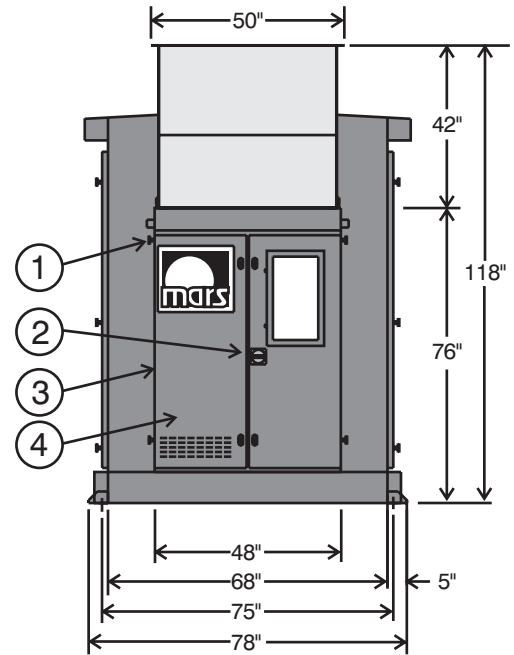


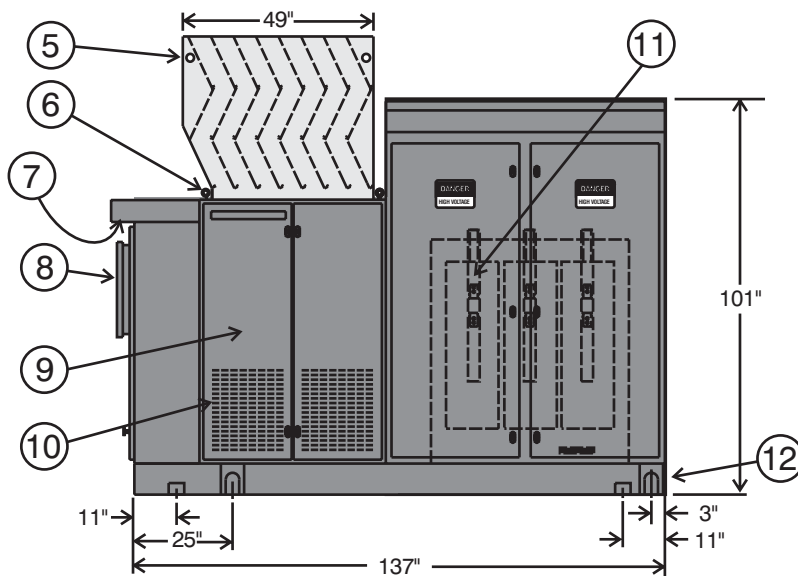
# Mars-HV Stationary Load Bank

## Dimensions and Key Features

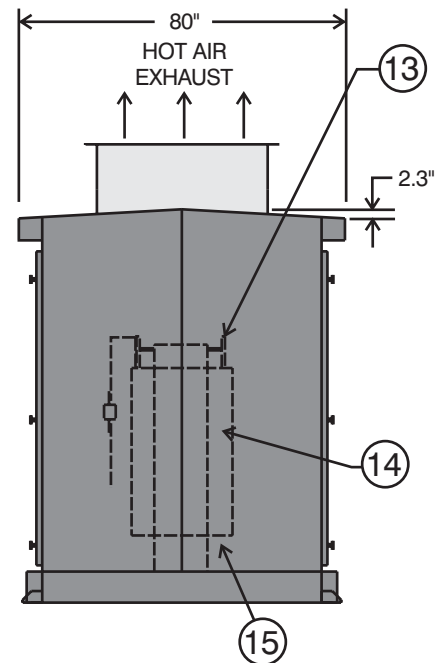
1. Lockable Latch, Each Door
2. Anti-Condensation Disconnect Switch
3. Hinged Door, Both Sides
4. Control Section
5. Lifting Provisions (for Exhaust Hood Only)
6. Load Bank Lifting Eyes
7. Rain Shield Vent Screen
8. Local Control Panel, Lockable Hinged Door
9. Load Resistor and Fan Section
10. Screen Air Intake, Both Sides
11. Secondary Fuses, Low Voltage
12. Lifting Brackets, Four (4)
13. Load Source Connections at Transformer Primary Terminals
14. Power Transformer 3W Delta:480V, 4-W Wye
15. Ground Bus and Neutral Bus



FRONT VIEW



RIGHT SIDE VIEW



BACK VIEW

**SIMPLX®**