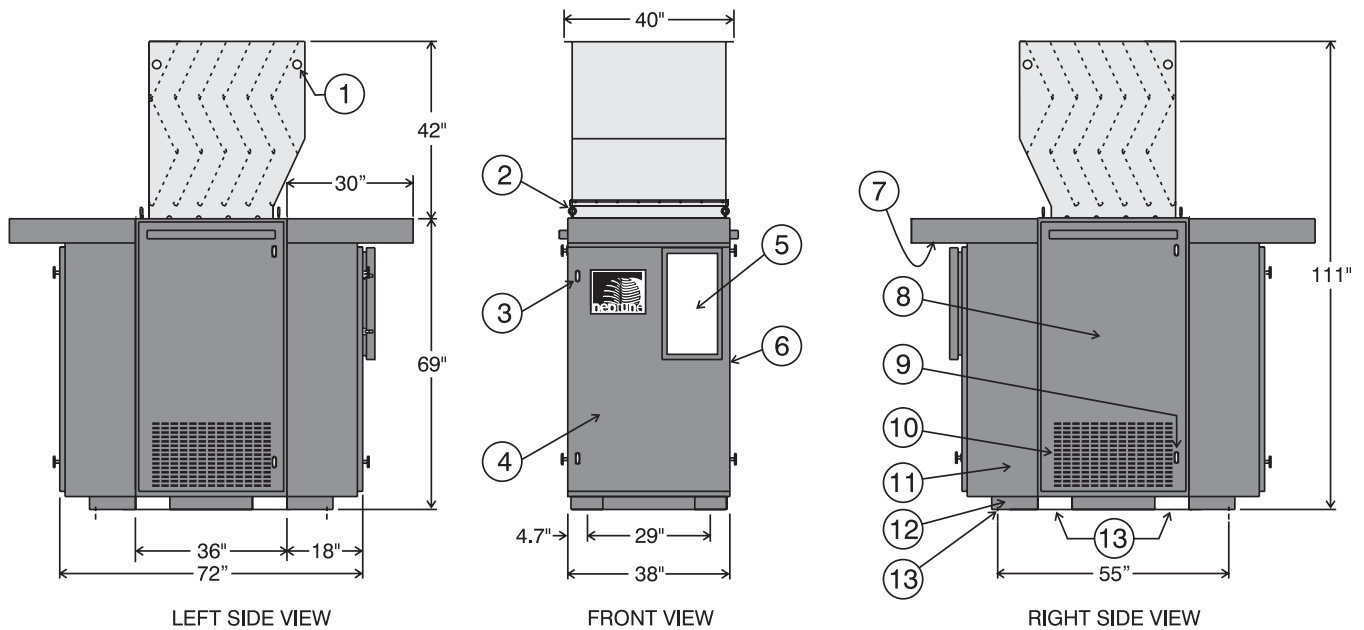


Megatron Stationary Load Bank

Dimensions and Key Features



- | | |
|---|--|
| 1. Lifting Eye Provisions (for Exhaust Hood Only) | 8. Hinged Door, Access to Load Elements |
| 2. Load Bank Lifting Eyes | 9. Lockable Latch |
| 3. Lockable Latch | 10. Screened Cool Air Intake, Both Sides |
| 4. Control Compartment Hinged Door | 11. Control Section |
| 5. Local Control Panel, Hinged Door | 12. Conduit Entry Location |
| 6. Stainless Steel Hinge | 13. Forklift Channels |
| 7. Rain Shield Vent Screen | |

SIMPLX®