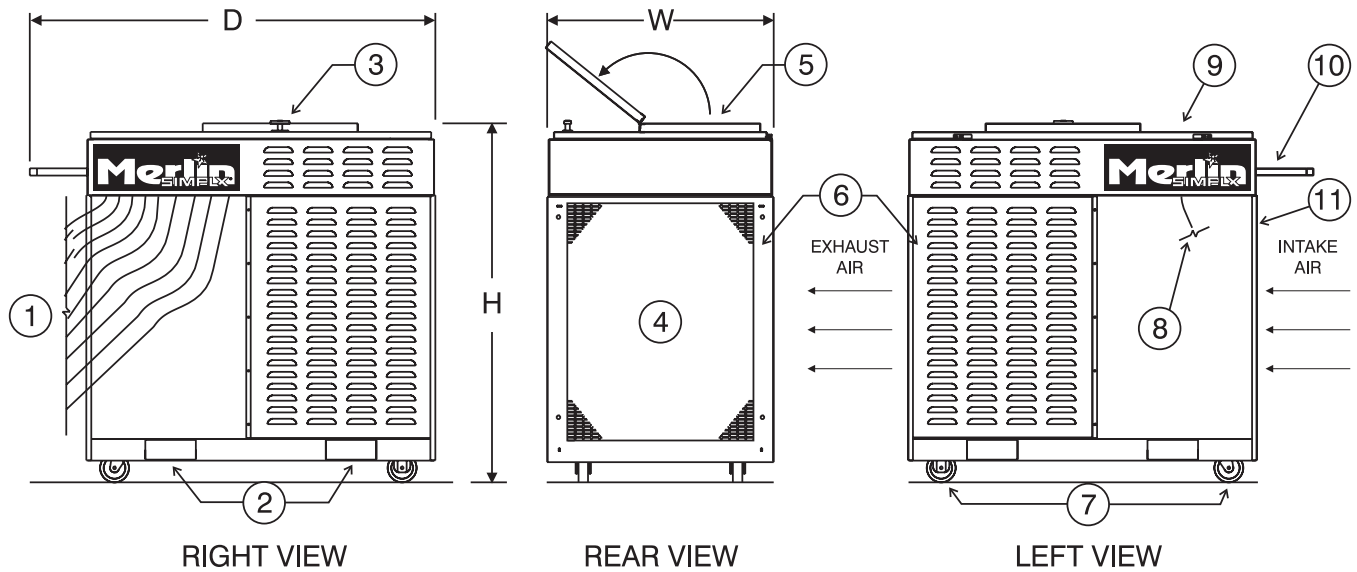


Merlin Large Portable Load Bank

Dimensions and Key Features



	W	D	H
Merlin 100, Merlin 150	31"	47"	43"
Merlin 200 through 300	31"	56"	50"
Merlin 350, Merlin 400	31"	69"	50"

1. Cable Connectors
2. Forklift Channels
3. Lockable Latch
4. Screened Intake and Exhaust
5. Hinged Access Door to Control Panel
6. Removeable Panel to Access Elements
7. Casters
8. External Control Power Cable
9. Hinged Access Door to Fuses and Contactors
10. Hand Grip for Moving and Cable Storage
11. Removeable Panel to Access Fan

SIMPLX®