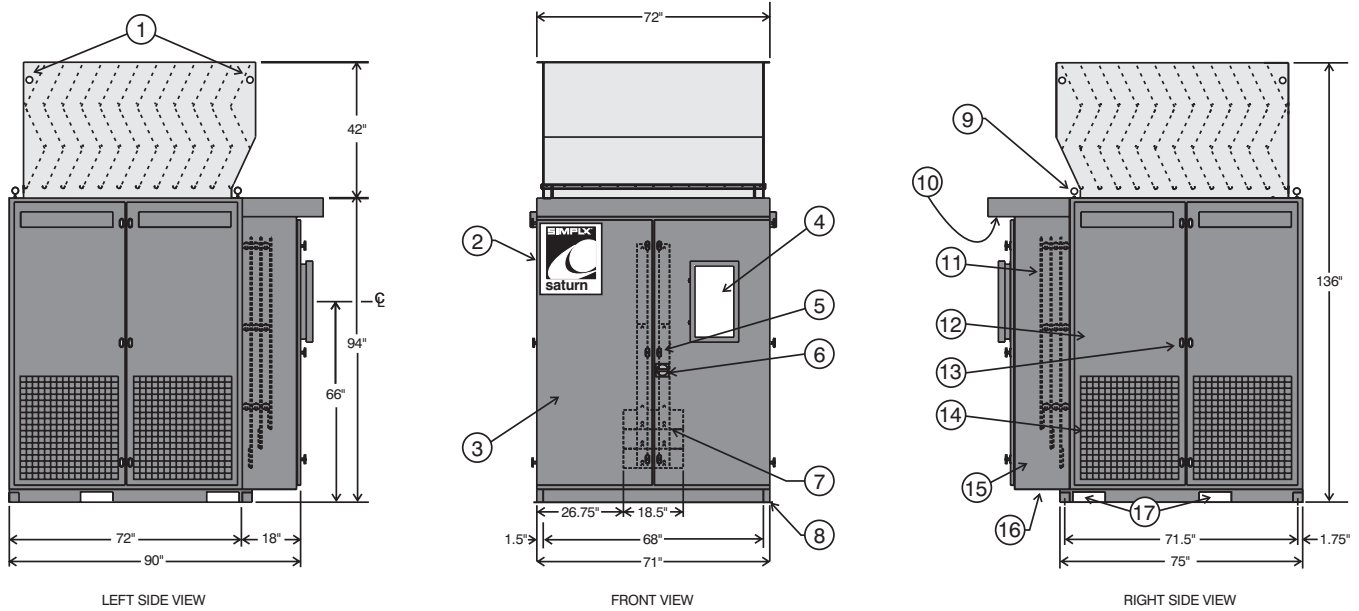


# Saturn Stationary Load Bank

## Dimensions and Key Features



- |   |   |
|---|---|
| 1. Lifting Provisions (for Exhaust Hood Only) | 10. Rain Shield Vent Screen                       |
| 2. Stainless Steel Hinge                      | 11. Distribution Bus Tin/Silver Plated Copper Bar |
| 3. Control Compartment Hinged Door            | 12. Hinged Door, Access to Load Elements          |
| 4. Local Control Panel, Hinged Door           | 13. Lockable Latch                                |
| 5. Lockable Latch                             | 14. Screened Air Intake, 2 Each Side              |
| 6. Optional Disconnect Switch                 | 15. Nema-3R Control Section                       |
| 7. Load Source Connections                    | 16. Conduit Entry Location                        |
| 8. 1" Mounting Holes                          | 17. Fork Lift Channels                            |
| 9. Lifting Eyes, Load Bank                    |   |

**SIMPLX®**