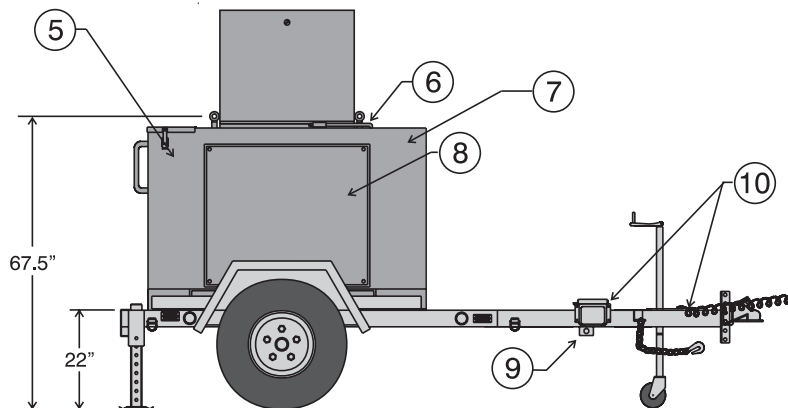
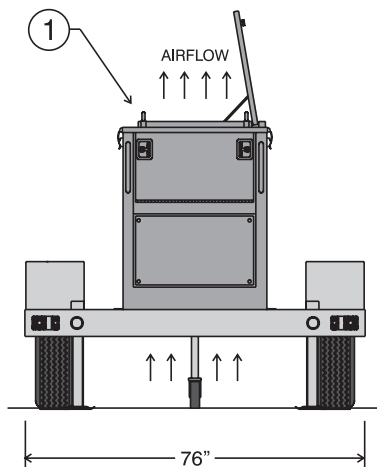
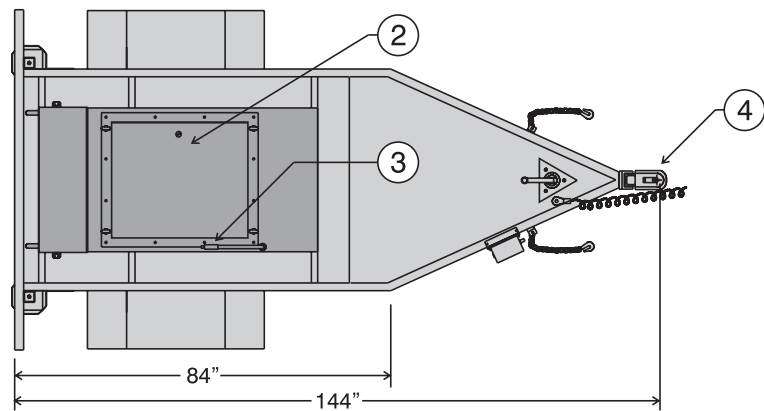


# Single Axle Trailer Load Bank

## Dimensions and Key Features

Simplex Single Axle Trailer Load Banks consist of a dynaMITE or Neptune Load Bank mounted on a specially designed and equipped trailer which conforms to applicable Federal and DOT standards. The customer has the choice of an electric modulating or hydraulic brake system.

1. dynaMITE Load Bank (shown with exhaust hatch open)
2. Exhaust Hatch (closed)
3. Exhaust Hatch Interlock Switch
4. 2 5/16" Ball Hitch or 3" Pintle Ring
5. Control Panel
6. Limit Switch
7. Cable Connection in rear compartment
8. Removable Side Panels (access to load elements and fan motor)
9. 7 Pole Electrical Connector
10. Electric Break-Away Battery and Switch



**SIMPLX®**