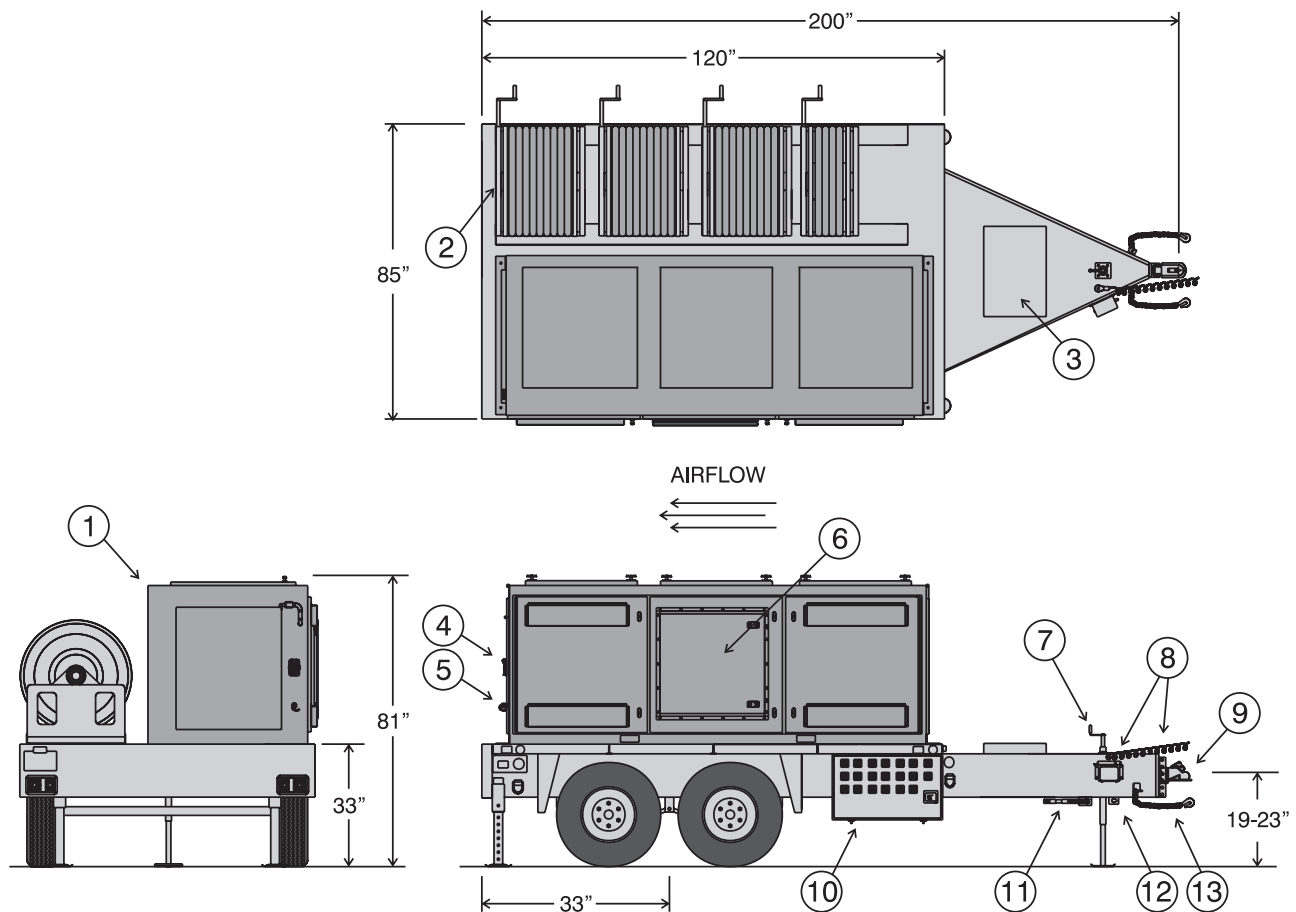


# Tandem Axle Trailer Load Bank Up To 1250KW

## Dimensions and Key Features

Simplex Tandem Axle Trailer Load Banks consist of a Load Bank of the customer's choice (Neptune, Mars, Atlas, or Trident) mounted on a specially designed and equipped trailer which conforms to applicable Federal and DOT standards. Total system capacity for the trailer configuration illustrated below can be up to 1250KW. The customer has the choice of an electric modulating or hydraulic brake system.

- |   |   |
|---|---|
| 1. Trident Load Bank                      | 8. Electric Break-Away Battery and Switch               |
| 2. Cable Reel with Removable Manual Crank | 9. 3" Pintle Ring or 2 5/16" Ball Hitch                 |
| 3. Deck Storage                           | 10. Cam-Lok Connection Box<br>(shown with door removed) |
| 4. External Control Power Inlet           | 11. Hand Brake  |
| 5. Remote Control Receptacle              | 12. 7 Pole Electrical Connector                         |
| 6. Local Control Panel                    | 13. 36" Safety Chains with Hooks                        |
| 7. Lift Jack with Caster                  |   |



**SIMPLX®**