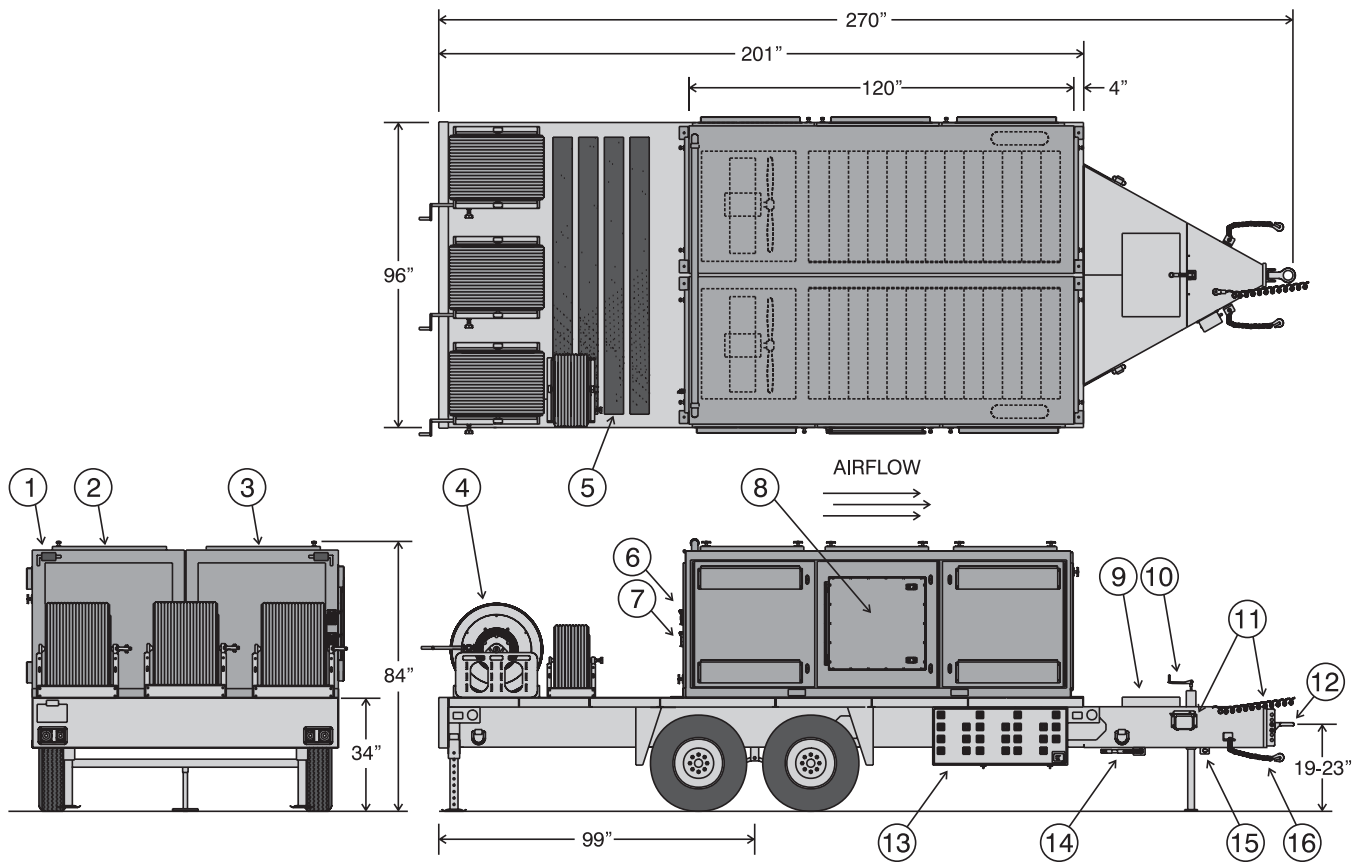


Tandem Axle Trailer Load Bank Up To 2500KW

Dimensions and Key Features

Simplex Tandem Axle Trailer Load Banks consist of a Load Bank or a two Load Bank system of the customer's choice mounted on a specially designed and equipped trailer which conforms to applicable Federal and DOT standards. Total system capacity can be up to 2500KW. The customer has the choice of an electric modulating or hydraulic brake system.

- | | |
|---------------------------------------------------------------------------------------------------------------------------------------------------------------------------------------------------------------------------------------------------------------------------------------------------------------------------------------------------------------------------------------------------------------------------------------------------------------------------------------------------------------------------|-------------------------------------------------------------------------------------------------------------------------------------------------------------------------------------------------------------------------------------------------------------------------------------------------------------------------------------------------------------------------------------------------------------------------|
| <ol style="list-style-type: none"> 1. Limit Switch Safety Interlock to insure door is open for operation (One on each Intake and Exhaust Door) 2. Trident Horizontal Load Bank A (Intake and Exhaust Doors shown closed) 3. Trident Horizontal Load Bank B (Intake and Exhaust Doors shown closed) 4. Cable Reel with Removable Manual Crank 5. Tread Strips 6. External Control Power Inlet Load Bank A 7. External Control Power Inlet Load Bank B | <ol style="list-style-type: none"> 8. Local Control Box 9. Deck Storage 10. Lift Jack with Foot Plate 11. Electric Break-away Battery & Switch 12. 3" Pintle Ring or 2 5/16" Ball Hitch 13. Cam-Lok Connection Box (shown with door removed) 14. Hand Brake 15. 7 Pole Electrical Connector 16. 36" Safety Chains with Hooks |
|---------------------------------------------------------------------------------------------------------------------------------------------------------------------------------------------------------------------------------------------------------------------------------------------------------------------------------------------------------------------------------------------------------------------------------------------------------------------------------------------------------------------------|-------------------------------------------------------------------------------------------------------------------------------------------------------------------------------------------------------------------------------------------------------------------------------------------------------------------------------------------------------------------------------------------------------------------------|



SIMPLX®