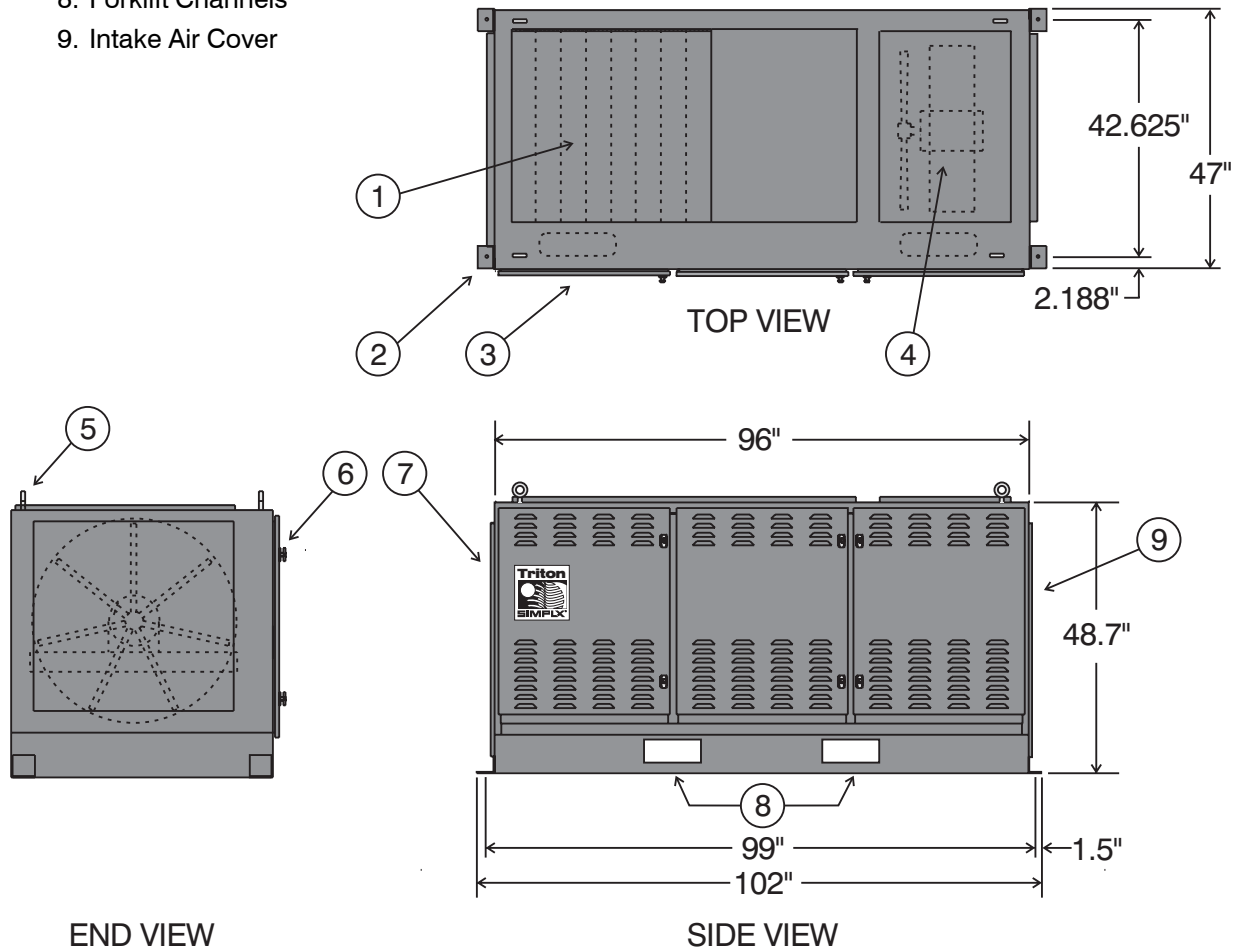


Triton Horizontal Stationary Load Bank

Dimensions and Key Features

1. Load Elements
2. Mounting Holes
3. Control Compartment Hinged Doors
4. Motor and Fan
5. Lifting Eyes
6. Top Lockable Latch On All Doors
7. Exhaust Air Cover
8. Forklift Channels
9. Intake Air Cover



SIMPLX®