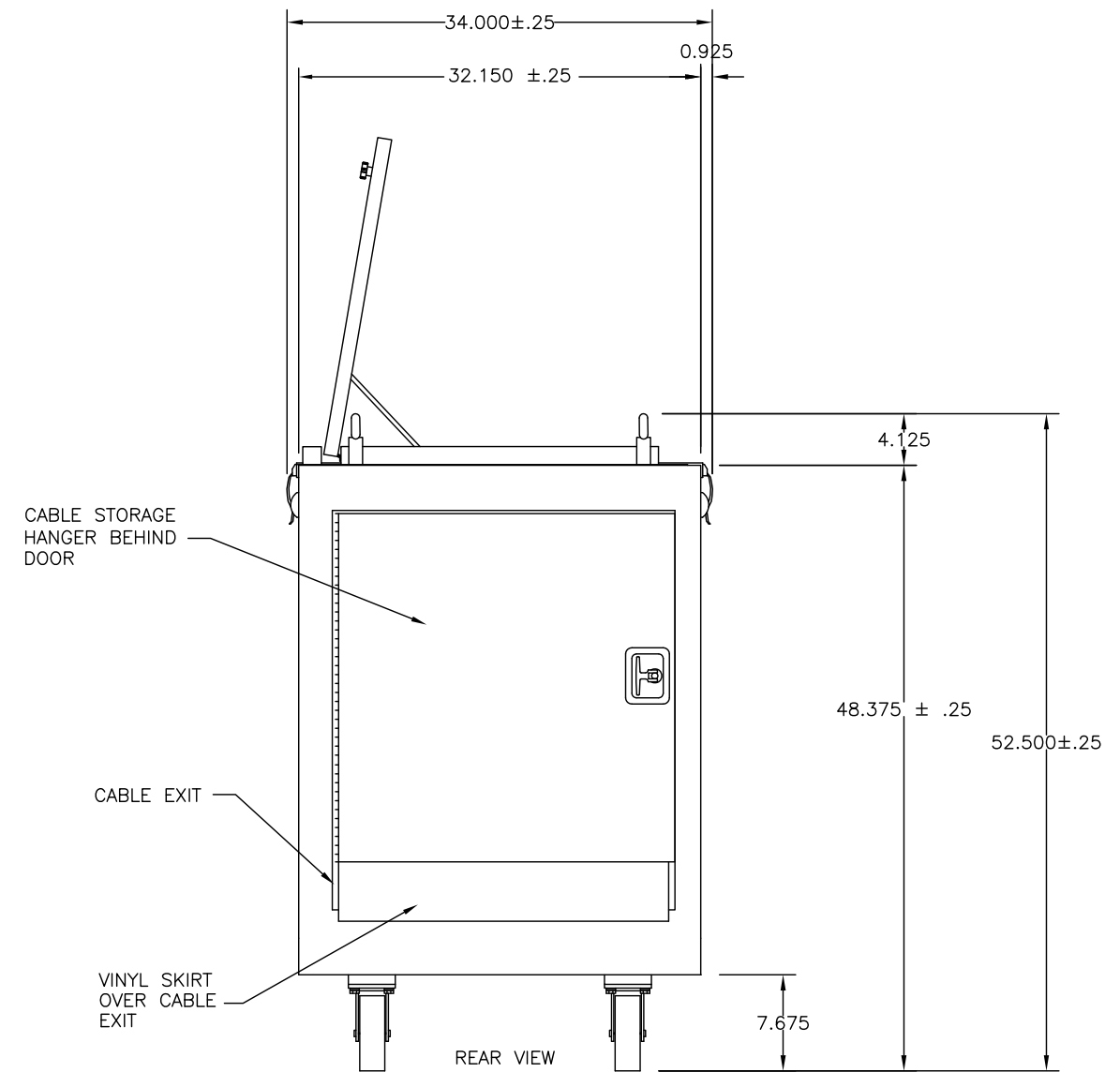
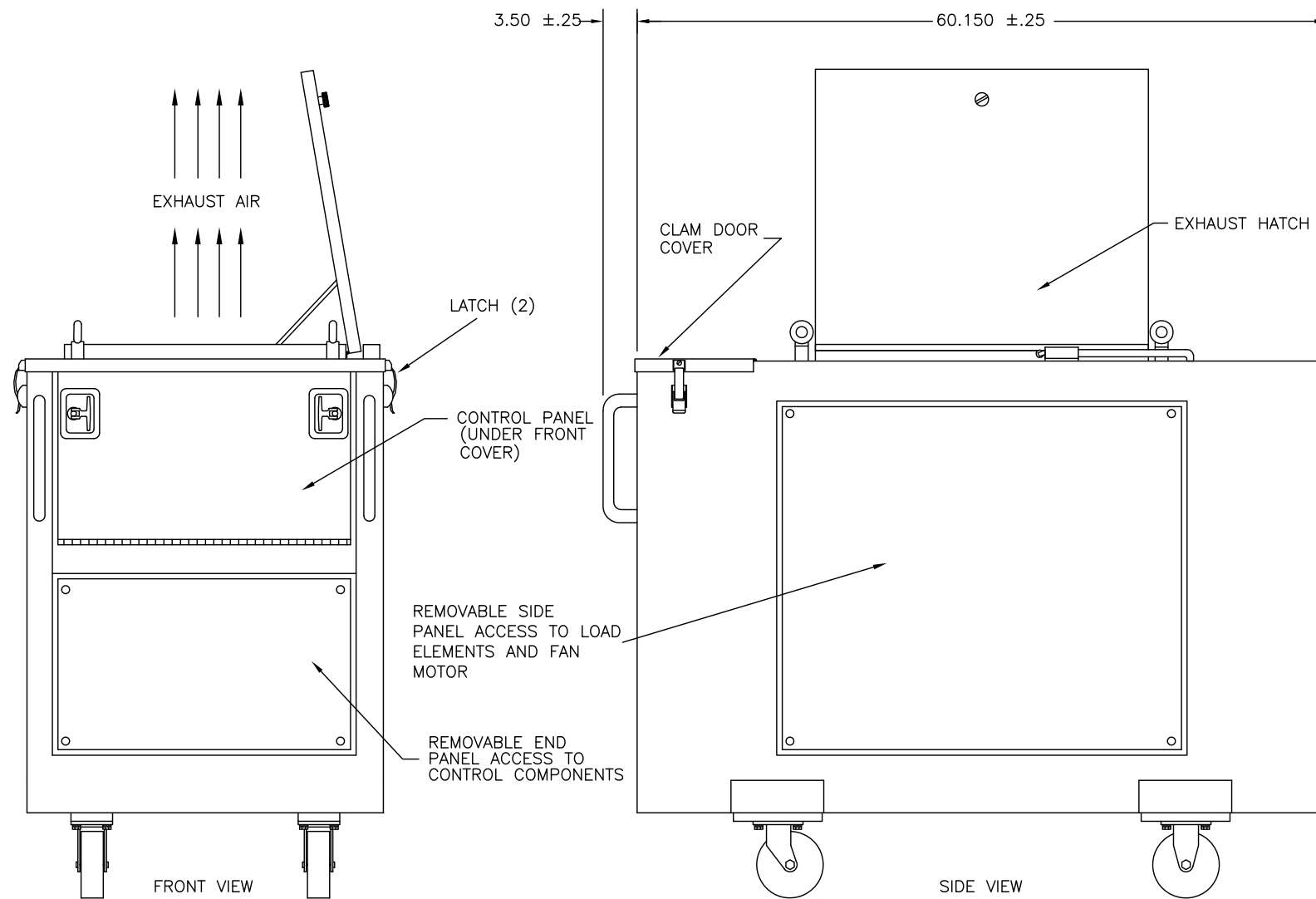


- NOTES:
1. CONSTRUCTION: FORMED AND WELDED HOT ROLLED STEEL
 2. ALL PARTS ABRASIVE BLASTED OR CHEMICALLY CLEANED AND PHOSPHATIZED
 - FINISH COLOR ASA 49 GRAY
 - PAINTED:
 - PRIMER: TILE CLAD WB EPOXY
(24702501),
(24702502),
 - PAINT: CENTURION POLYURETHANE
(24708500),
(24722500),
 6. WEATHER RESISTANT ENCLOSURE WHEN EXHAUST HATCH AND CONTROL PANEL COVERS ARE CLOSED
 7. ALL REMOVABLE PANELS AND DOORS GASKETED FOR WEATHER RESISTANCE
 8. ESTIMATED WEIGHT - 800LBS.
- PART A, B73A200, GRAY PRIMER
PART B, B73V200, CATALYST
- B65W711, ASA 49 GRAY
B65V700, CATALYST



THE INFORMATION HEREON IS THE PROPERTY OF SIMPLEX, INC., AND/OR ITS SUBSIDIARIES. WITHOUT WRITTEN PERMISSION ANY COPYING, TRANSMITTAL TO OTHERS AND USE EXCEPT THAT FOR WHICH IT IS LOANED IS PROHIBITED. DESIGN SUBJECT TO CHANGE WITHOUT NOTICE.
©2010 SIMPLEX, INC. ALL RIGHTS RESERVED.

SIMPLEX			SPRINGFIELD, ILLINOIS
SCALE :	APPROVED BY :	DRAWN BY : RER	
DATE : 08-02-10		REVISED :	
DYNAMITE WEATHER RESISTANT LOAD BANK PICTORIAL			
STANDARD			DRAWING NUMBER 211933