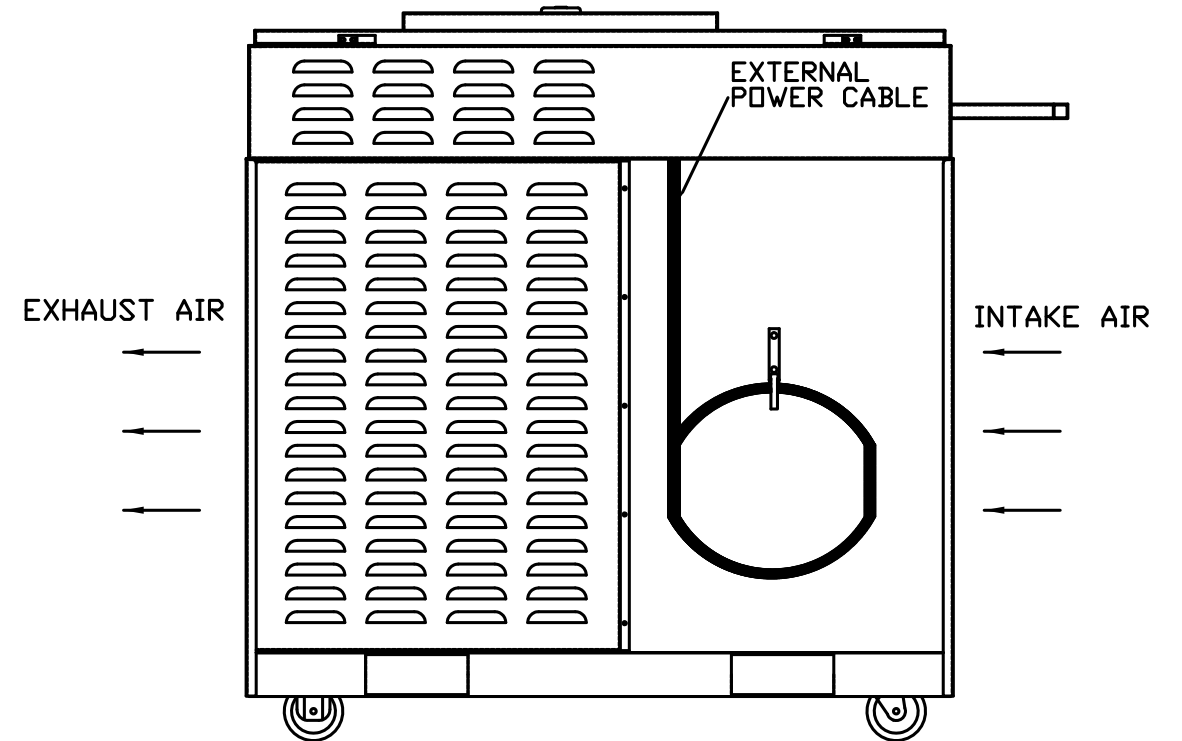
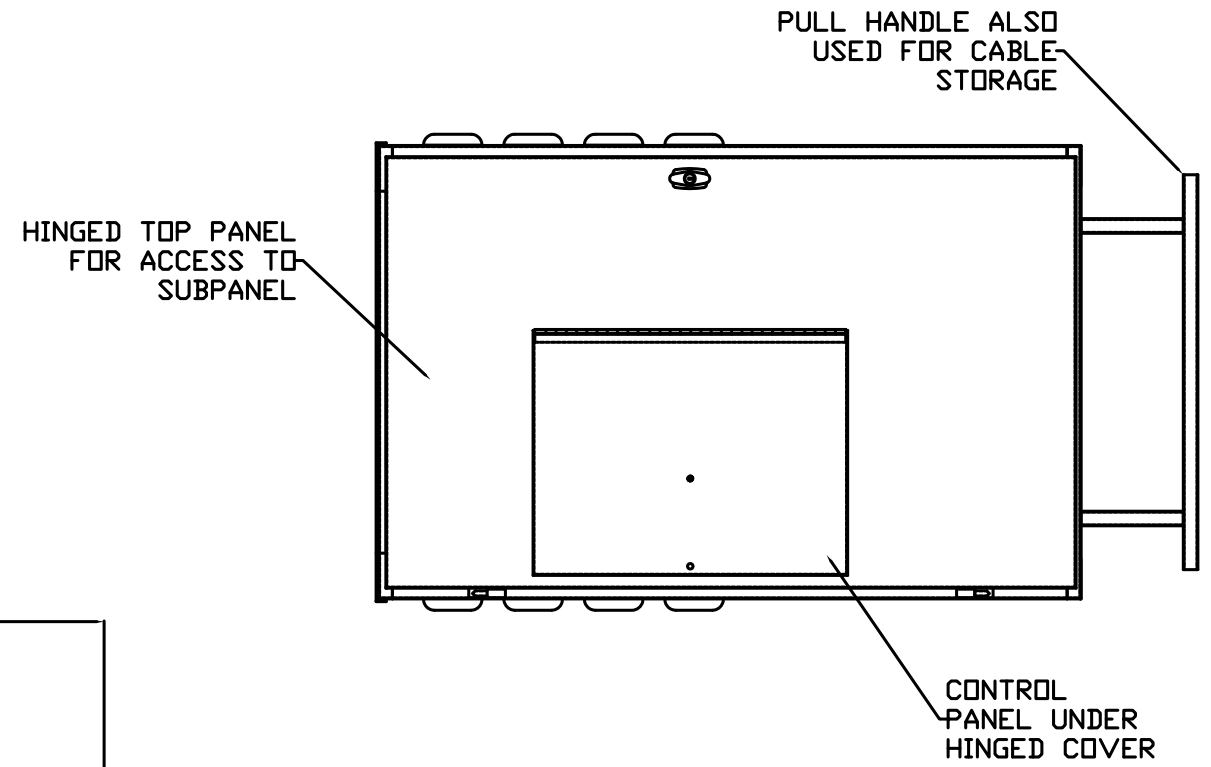
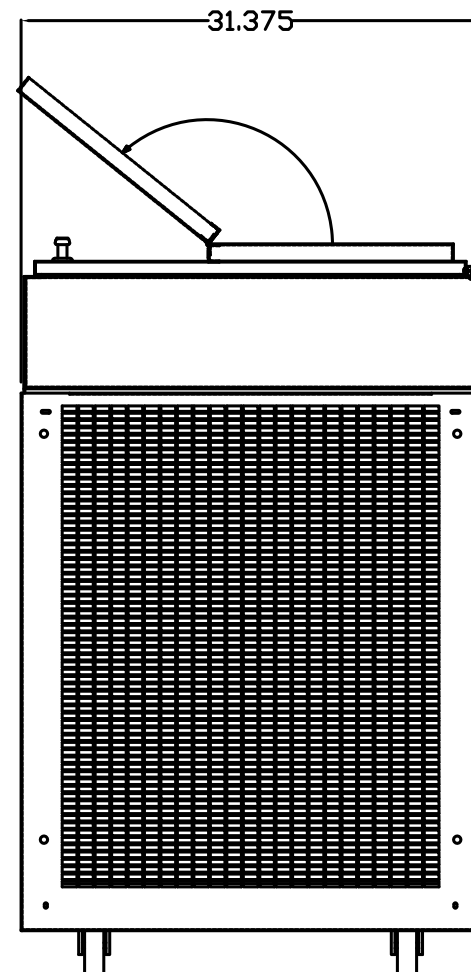
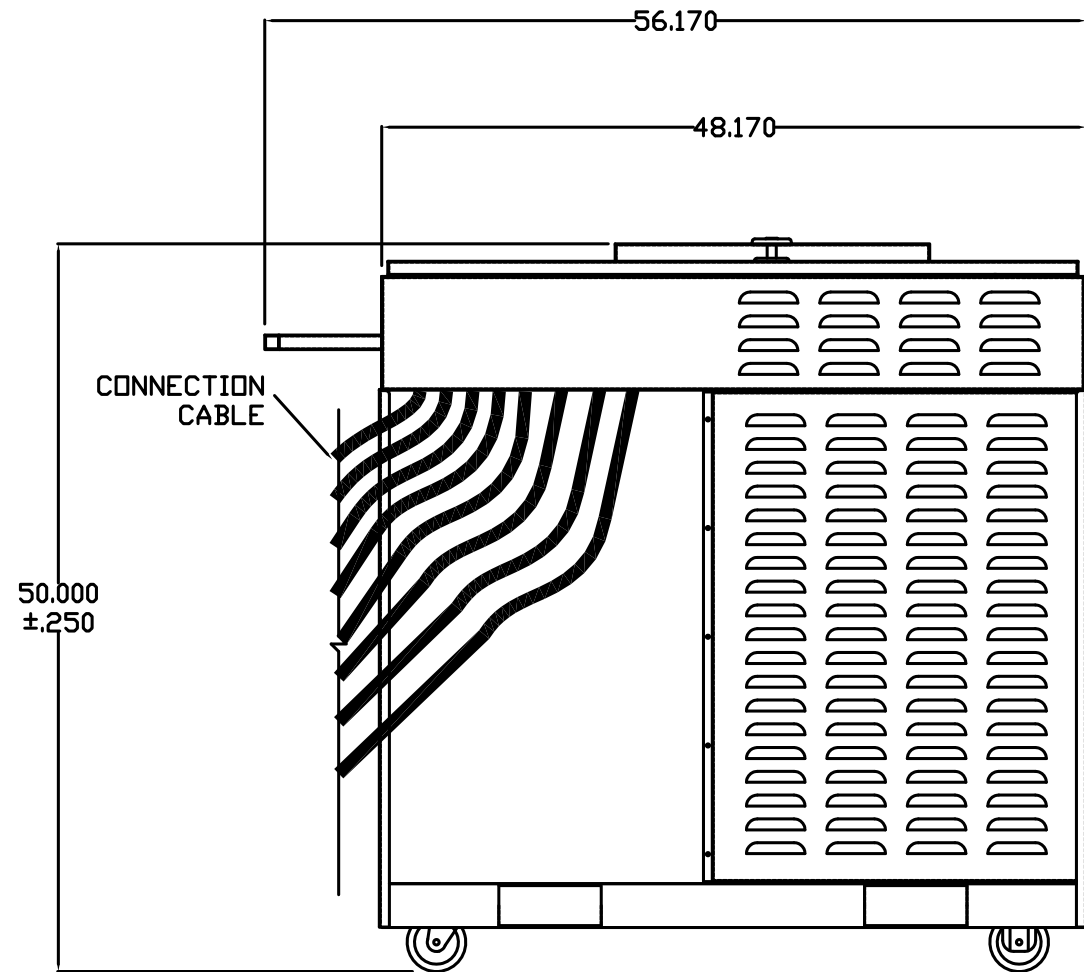


NOTES:

1. CONSTRUCTION: FORMED AND WELDED SHEET STEEL.
2. FINISH: ABRASIVE BLASTED OR CHEMICALLY CLEANED AND PHOSPHATIZED
3. PAINT: POWDER COAT FINISH COLOR: ASA 49 GRAY



THE INFORMATION HEREON IS THE PROPERTY OF SIMPLEX, INC., AND/OR ITS SUBSIDIARIES. WITHOUT WRITTEN PERMISSION ANY COPYING, TRANSMITTAL TO OTHERS AND USE EXCEPT THAT FOR WHICH IT IS LOANED IS PROHIBITED. DESIGN SUBJECT TO CHANGE WITHOUT NOTICE.
©2010 SIMPLEX, INC. ALL RIGHTS RESERVED.

SIMPLEX		SPRINGFIELD, ILLINOIS
SCALE :	APPROVED BY :	DRAWN BY : RER
DATE : 08-02-10		REVISED :
MERLIN 200KW, 250KW, 300KW LOAD BANK PICTORIAL		
STANDARD		DRAWING NUMBER 211938