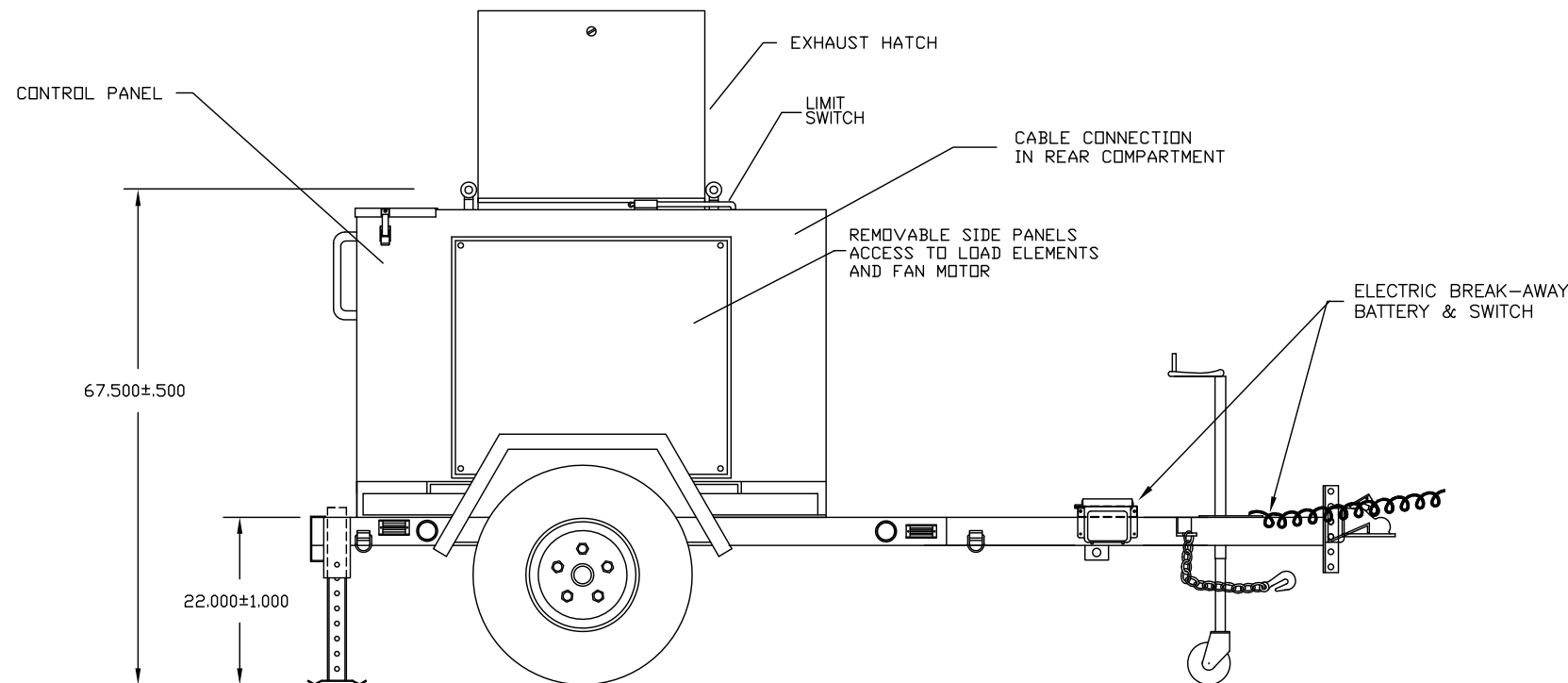
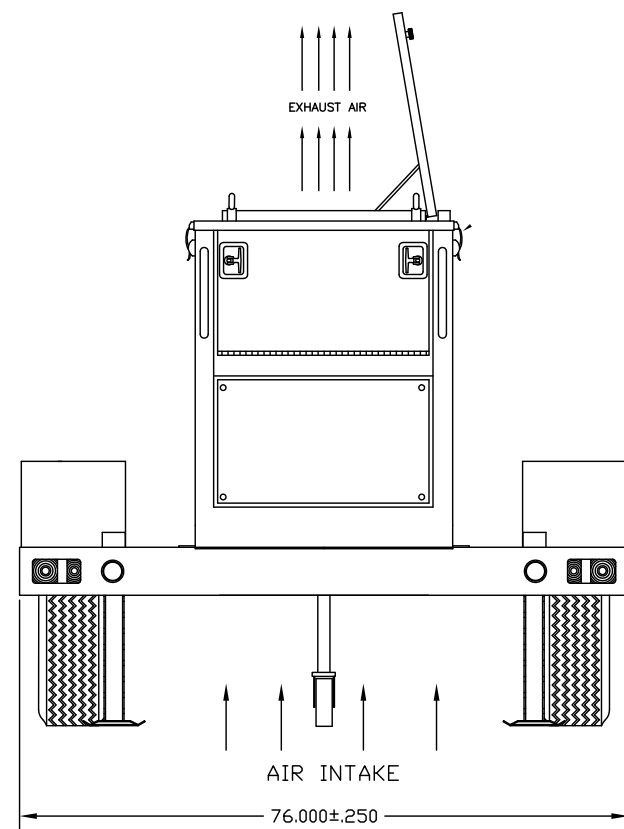
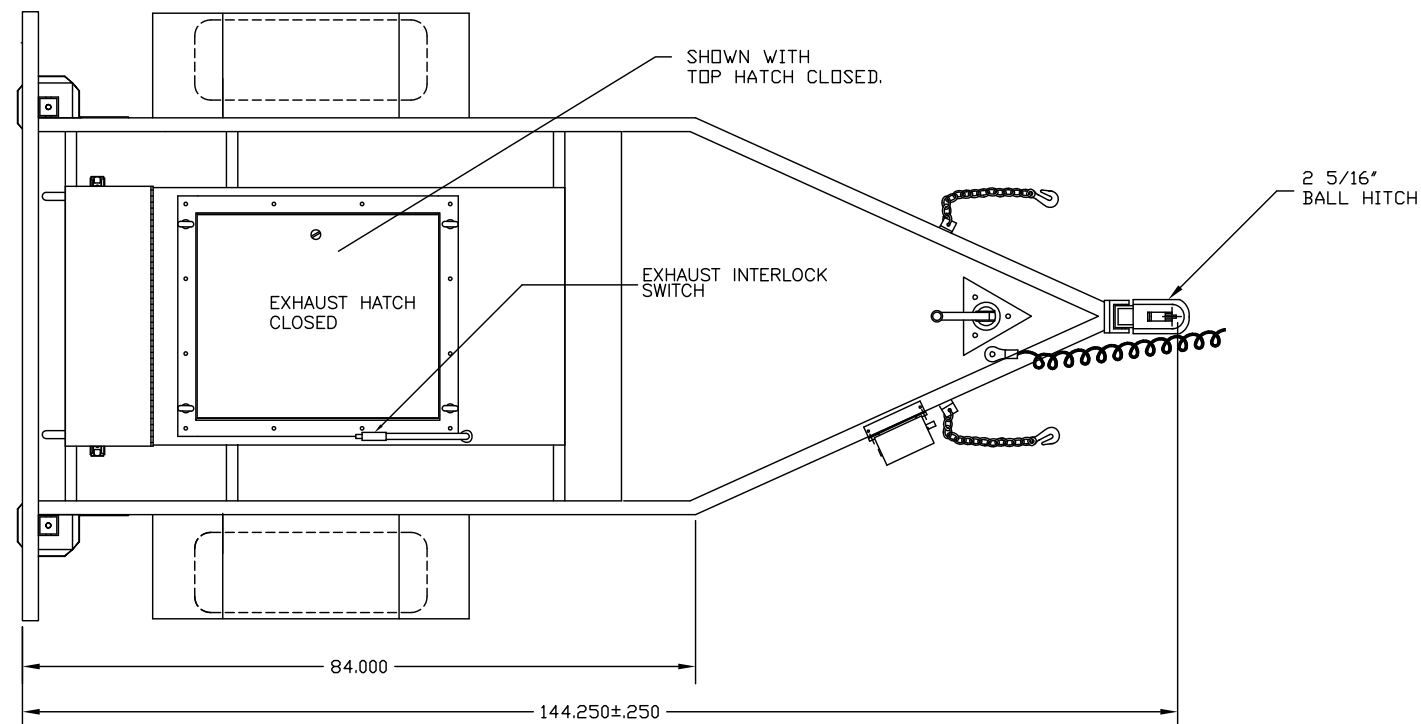


1. TRAILER CONSTRUCTION CONFORMS TO APPLICABLE FEDERAL AND DOT STANDARDS
 3500LBS GROSS WEIGHT CAPACITY
 ICC SAFETY CHAINS 36" LONG WITH HOOKS
 ICC 12V ELECTRIC LIGHTS & 7 WAY CONNECTOR
 12V ELECTRIC BRAKES
 LEAF SPRINGS
 2000# LIFT JACK
 TIRES ST205-75-R14
 FENDERS
 CONSTRUCTION: FORMED AND WELDED HOT ROLLED STEEL
 ALL PARTS ABRASIVE BLASTED OR CHEMICALLY
 CLEANED AND PHOSPHATIZED
 FINISH COLOR ASA 49 GRAY
 PAINTED:
 PRIMER: TILE CLAD WB EPOXY
 (24702501),
 (24702502),
 PART A, B73A200, GRAY PRIMER
 PART B, B73V200, CATALYST
 PAINT: CENTURION POLYURETHANE
 (24708500),
 (24722500),
 B65W711, ASA 49 GRAY
 B65V700, CATALYST
 STABILIZERS TWO ON REAR

2. DYNAMITE RESISTIVE LOAD BANK
 EXHAUST HATCH
 WEATHER RESISTANT ENCLOSURE
 CONSTRUCTION: FORMED AND WELDED HOT ROLLED STEEL
 ALL PARTS ABRASIVE BLASTED OR CHEMICALLY
 CLEANED AND PHOSPHATIZED
 FINISH COLOR ASA 49 GRAY
 PAINTED:
 PRIMER: TILE CLAD WB EPOXY
 (24702501),
 (24702502),
 PART A, B73A200, GRAY PRIMER
 PART B, B73V200, CATALYST
 PAINT: CENTURION POLYURETHANE
 (24708500),
 (24722500),
 B65W711, ASA 49 GRAY
 B65V700, CATALYST
 3. BALL HITCH, 2 5/16"
 4. APPROXIMATE SHIPPING WEIGHT = 2200 LB



THE INFORMATION HEREON IS THE PROPERTY OF SIMPLEX, INC., AND/OR ITS SUBSIDIARIES. WITHOUT WRITTEN PERMISSION ANY COPYING, TRANSMITTAL TO OTHERS AND USE EXCEPT THAT FOR WHICH IT IS LOANED IS PROHIBITED. DESIGN SUBJECT TO CHANGE WITHOUT NOTICE.
 ©2010 SIMPLEX, INC. ALL RIGHTS RESERVED.

SIMPLEX		SPRINGFIELD, ILLINOIS
SCALE :	APPROVED BY :	DRAWN BY : RER
DATE : 08-02-10		REVISED :
DYNAMITE TRAILER LOAD BANK PICTORIAL		
STANDARD	DRAWING NUMBER 211950	