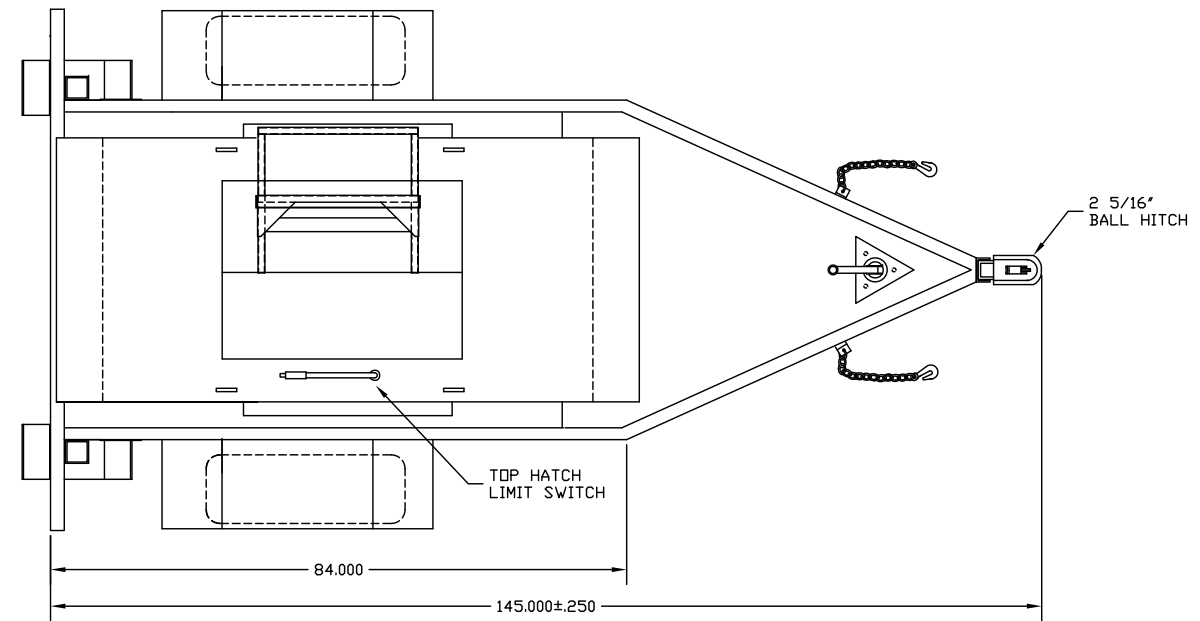
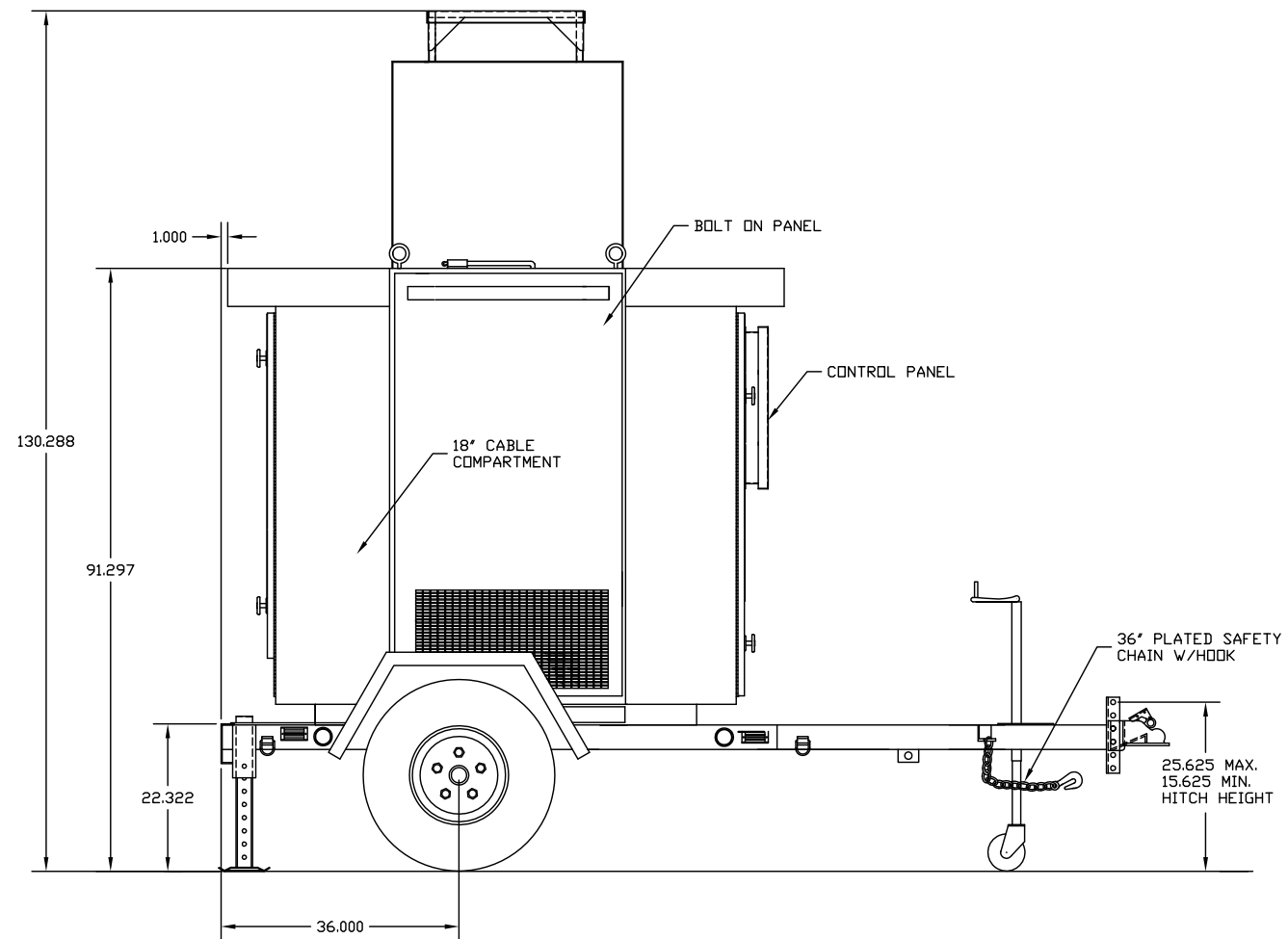
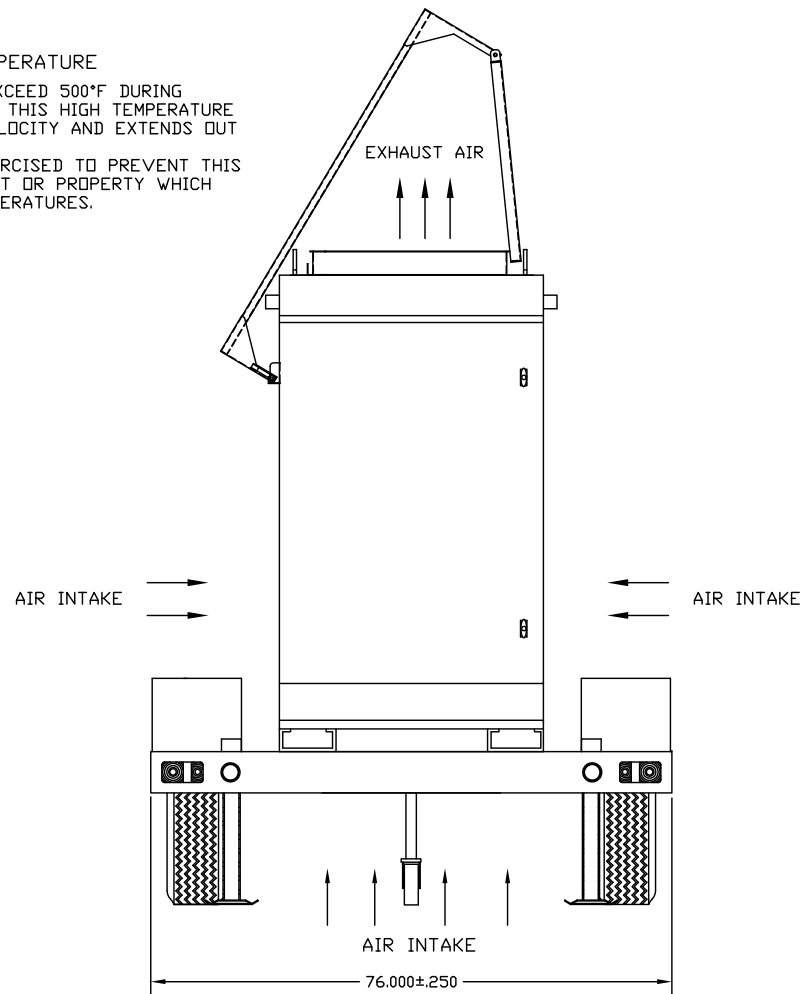


- 1) TRAILER CONSTRUCTION CONFORMS TO APPLICABLE FEDERAL AND DOT STANDARDS
 3500 LBS GROSS WEIGHT CAPACITY
 ICC SAFETY PLATED CHAINS 36" LONG W/HOOKS
 ICC 12V. ELECTRIC LIGHTS WITH 6 WAY CONNECTOR (FEMALE COMPONENT)
 INCLUDES STOP, TURN, BRAKE LIGHTS, AND WIRE HARNESS
 ICC ELECTRIC BRAKES
 LEAF SPRINGS
 2.312"Ø BALL HITCH COUPLER
 2000# LIFT JACK AND CASTER
 TIRES ST205-75-R14 LOAD RANGE C
 REMOVABLE FENDERS
 DECK PLATE 12 GA. HRS
 FRAME FORMED STEEL CHANNEL
 ABRASIVE CLEANED OR CHEMICALLY CLEANED AND PHOSPHATIZED
 FINISH COLOR : ASA 49 GRAY
 PRIMER: TILE CLAD WB EPOXY
 (24702501), PART A , B73A200, GRAY PRIMER
 (24702502), PART B , B73V200, CATALYST
 PAINT: CENTURION POLYURETHANE
 (24708500), B65W711, ASA 49 GRAY
 (24722500), B65V700 CATALYST

- 2) AIR COOLED LOAD BANK SYSTEM
 CABLE SECTION FOR STORAGE OF LOAD CABLES-NEMA 3R
 LOAD SECTION-NEMA 3R
 EXHAUST VERTICAL DISCHARGE HINGED DOOR
 WITH THE FOLLOWING FEATURES:
 STEEL STRUCTURE
 LIFTING EYEBOLTS (4)
 BUILT-IN LIFT CHANNELS (2)
 EXTERNAL POWER LOAD CONNECTOR FOR FAN & CONTROL
 SECURELY BOLTED TO TRAILER
 PAINT-RUST-RESISTING PRIMER
 ASA 49 GRAY
 FINISH COLOR : ASA 49 GRAY
 PRIMER: TILE CLAD WB EPOXY
 (24702501), PART A , B73A200, GRAY PRIMER
 (24702502), PART B , B73V200, CATALYST
 PAINT: CENTURION POLYURETHANE
 (24708500), B65W711, ASA 49 GRAY
 (24722500), B65V700 CATALYST



WARNING - HIGH TEMPERATURE
 EXHAUST TEMPERATURES COULD EXCEED 500°F DURING
 LOAD TESTS OF 500KW OR MORE. THIS HIGH TEMPERATURE
 AIR IS EXHAUSTED AT A HIGH VELOCITY AND EXTENDS OUT
 THE TOP OF THE LOAD BANK.
 EXTREME CAUTION SHOULD BE EXERCISED TO PREVENT THIS
 HOT AIR FROM STRIKING EQUIPMENT OR PROPERTY WHICH
 COULD BE DAMAGED BY HIGH TEMPERATURES.



THE INFORMATION HEREON IS THE PROPERTY OF SIMPLEX, INC., AND/OR
 ITS SUBSIDIARIES. WITHOUT WRITTEN PERMISSION ANY COPYING, TRANSMITTAL
 TO OTHERS AND USE EXCEPT THAT FOR WHICH IT IS LOANED IS PROHIBITED.
 DESIGN SUBJECT TO CHANGE WITHOUT NOTICE.
 ©2010 SIMPLEX, INC. ALL RIGHTS RESERVED.

SIMPLEX		SPRINGFIELD, ILLINOIS
SCALE :	APPROVED BY :	DRAWN BY : RER
DATE : 08-02-10		REVISED :
NEPTUNE TRAILER LOAD BANK PICTORIAL		
STANDARD	DRAWING NUMBER 211952	