

1) TRAILER CONSTRUCTION CONFORMS TO APPLICABLE FEDERAL & DOT STANDARDS  
8,000 LBS GROSS WEIGHT CAPACITY

ICC SAFETY CHAINS 36" LONG W/HOOKS  
ICC 12V. ELECTRIC LIGHTS WITH 7 POLE CONNECTOR  
ELECTRIC BRAKES WITH MECHANICAL PARKING BRAKE  
W/LEAF SPRINGS  
2 5/16" BALL HITCH  
7000# LIFT JACK WITH FOOT PLATE  
TIRES ST 225-75-R15, C  
WHEEL WELLS  
DECK PLATE

PAINTED:  
PRIMER: TILE CLAD WB EPOXY  
(24702501),  
(24702502),  
PART A, B73A200, GRAY PRIMER  
PART B, B73V200, CATALYST  
PAINT: CENTURION POLYURETHANE  
(24708500),  
(24722500),  
B65W701, ASA 49 GRAY  
B65V700, CATALYST

2) AIR COOLED HORIZONTAL 1000KW LOAD BANK SYSTEM  
CONSISTING OF

1 - HORIZONTAL AIRFLOW LOAD BANK  
1 - CONTROL PANEL  
1 - 36" DIAMETER FAN WITH MOTOR

PAINTED:  
PRIMER: TILE CLAD WB EPOXY  
(24702501),  
(24702502),  
PART A, B73A200, GRAY PRIMER  
PART B, B73V200, CATALYST  
PAINT: CENTURION POLYURETHANE  
(24708500),  
(24722500),  
B65W701, ASA 49 GRAY  
B65V700, CATALYST

3) CABLE REELS - C28-30-31 RT - 2" CHANNEL FRAME  
MANUAL DRIVE FROM FRONT

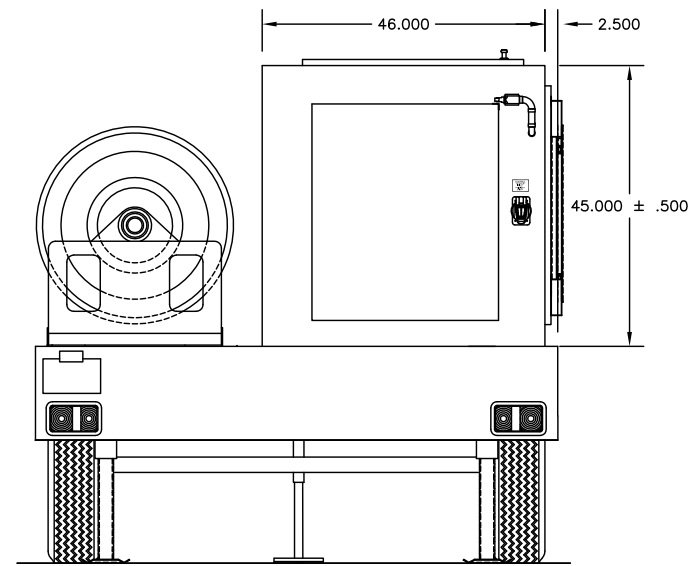
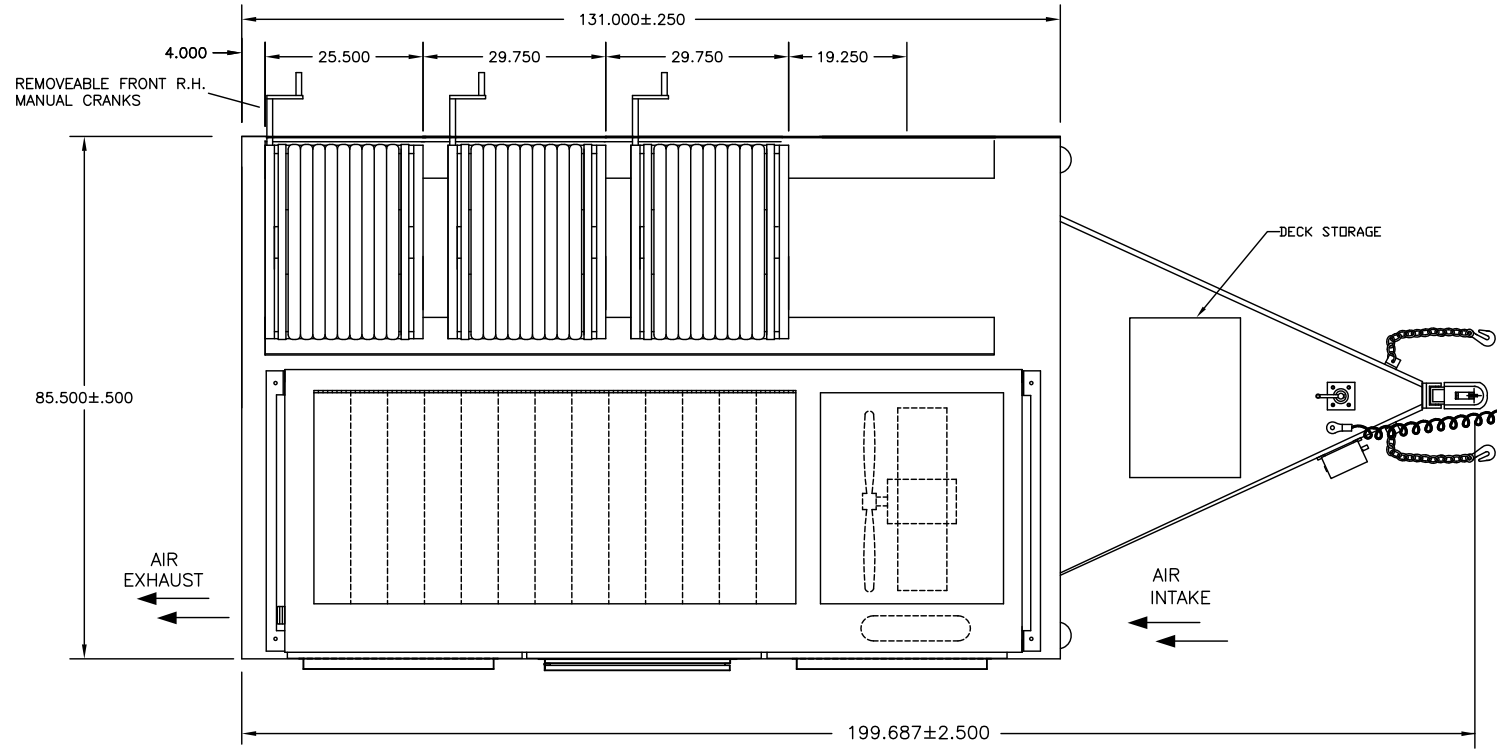
CAPACITY: 900 FT, 1" DIA. CABLE PERFECT WRAP  
750 FT, 1" DIA. CABLE NOMINAL WRAP  
750 FT, 1" DIA. CABLE REQUESTED CAPACITY  
CABLE SUPPLIED BY OTHERS

4) TOTAL APPROXIMATE WEIGHT 7,600 LBS.  
LOAD BANK & TRAILER = 5,800 LBS.  
CABLE 2,250 FT. = 1,800 LBS.  
(CABLE SUPPLIED BY OTHERS)

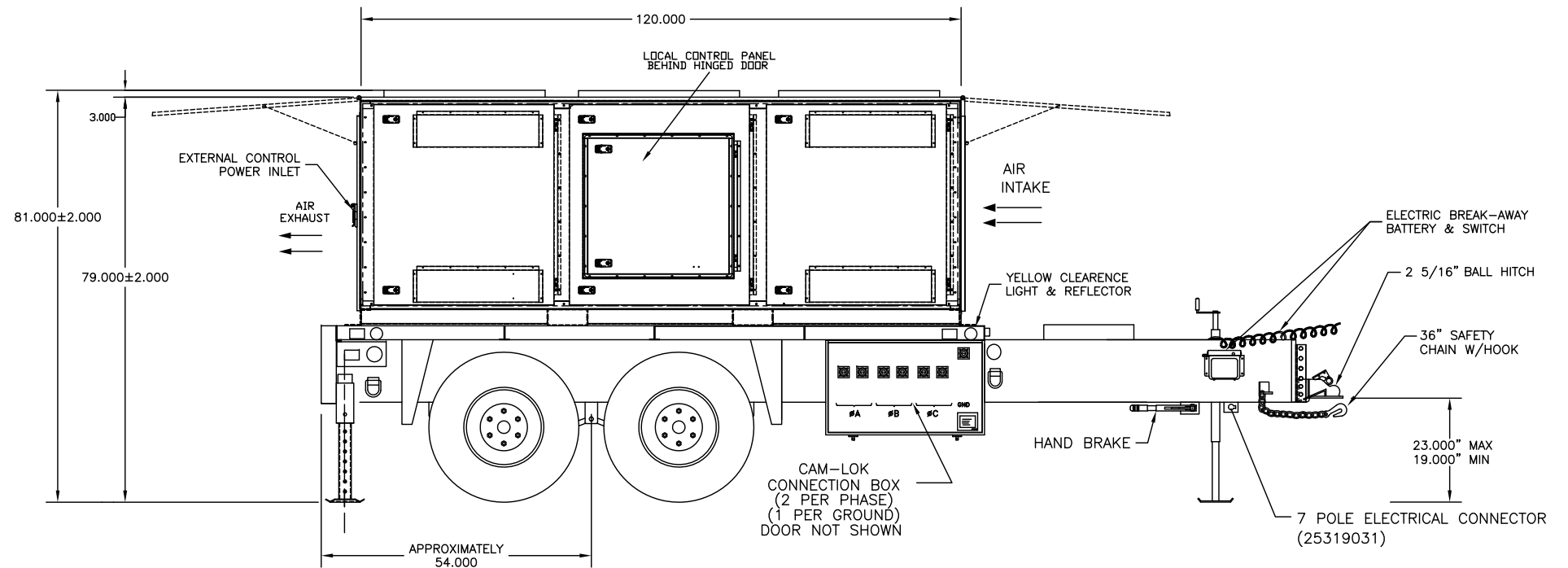
5) LOCAL CONTROL PANEL, SEE SEPARATE DRAWING

\*\*\* WARNING - HIGH TEMPERATURE \*\*\*

EXHAUST TEMPERATURES COULD EXCEED 500°F DURING  
LOAD TESTS. THIS HIGH TEMPERATURE AIR IS  
EXHAUSTED AT A HIGH VELOCITY AND EXTENDS OUT  
THE END OF THE LOAD BANK NEAR GROUND LEVEL.  
EXTREME CAUTION SHOULD BE EXERCISED TO PREVENT THIS  
HOT AIR FROM STRIKING EQUIPMENT OR PROPERTY WHICH  
COULD BE DAMAGED BY HIGH TEMPERATURES.  
DO NOT ALLOW PERSONNEL TO WALK THROUGH EXHAUST AIR  
STREAM WITHIN 50 FEET OF THE LOAD BANK.



VIEW SHOWN WITH DOORS CLOSED



<b>SIMPLEX</b>		SPRINGFIELD, ILLINOIS
SCALE :	APPROVED BY :	DRAWN BY : RER
DATE : 08-02-10		REVISED :
TRIDENT-500 TRAILER LOAD BANK PICTORIAL		
STANDARD	DRAWING NUMBER 211953	

THE INFORMATION HEREON IS THE PROPERTY OF SIMPLEX, INC., AND/OR ITS SUBSIDIARIES. WITHOUT WRITTEN PERMISSION ANY COPYING, TRANSMITTAL TO OTHERS AND USE EXCEPT THAT FOR WHICH IT IS LOANED IS PROHIBITED. DESIGN SUBJECT TO CHANGE WITHOUT NOTICE.  
©2010 SIMPLEX, INC. ALL RIGHTS RESERVED.