

SIMPLEX
Joe Filter
 Diesel Filtration System

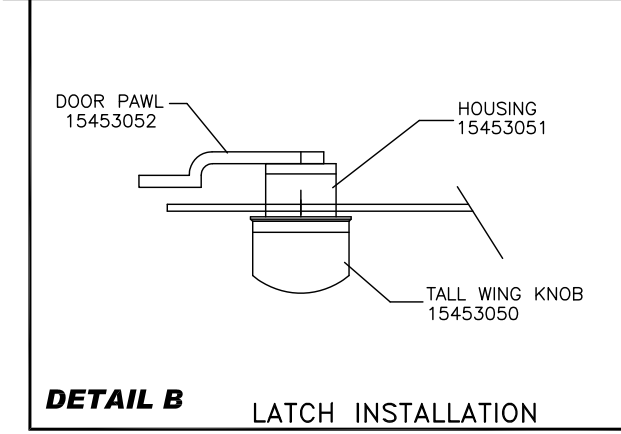
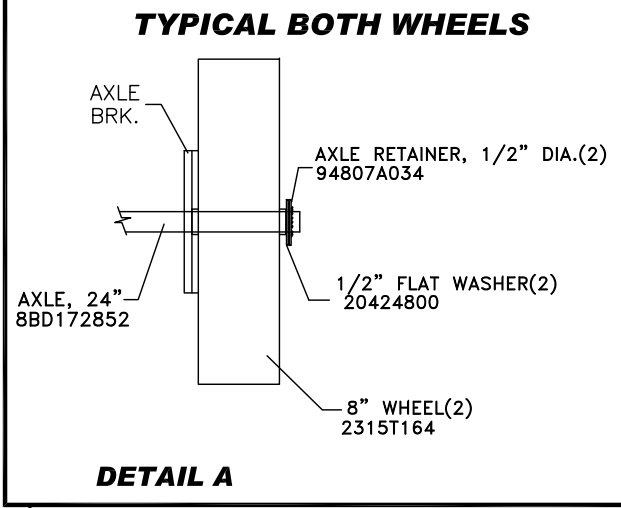
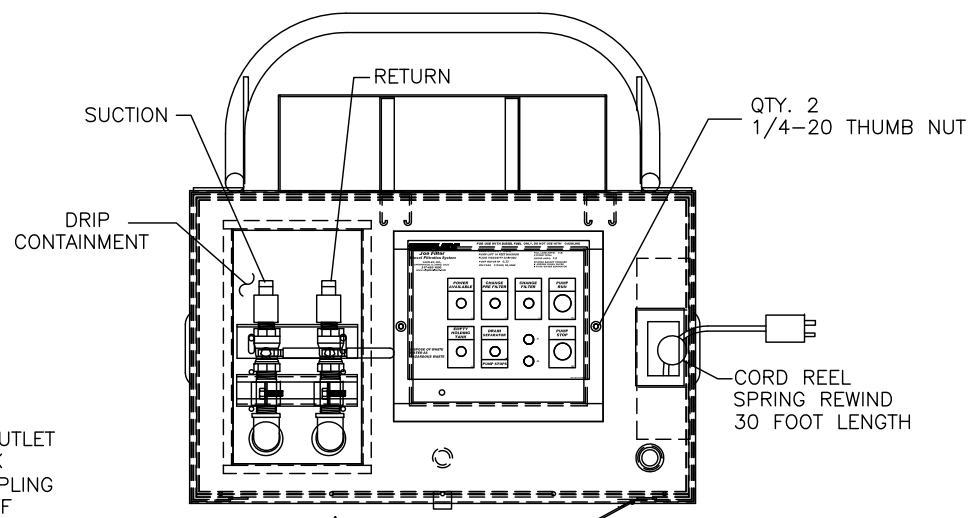
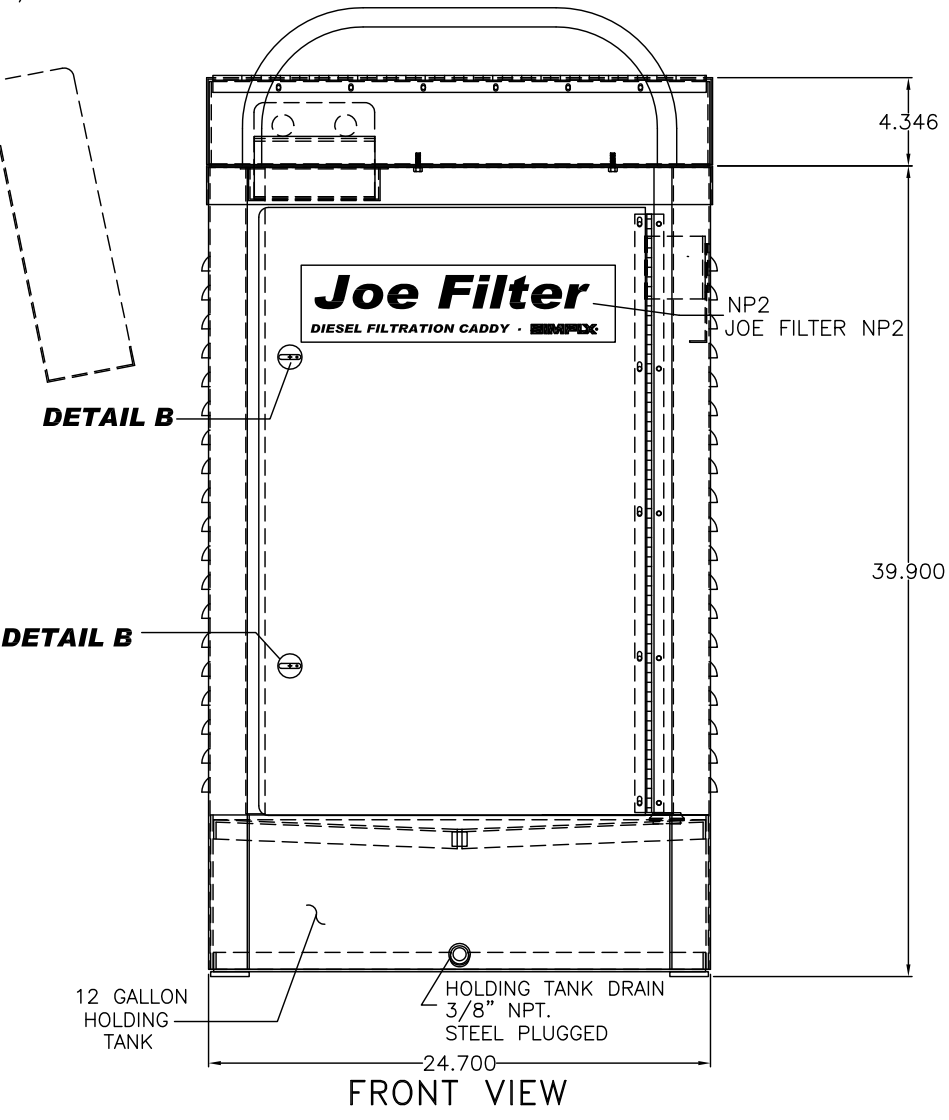
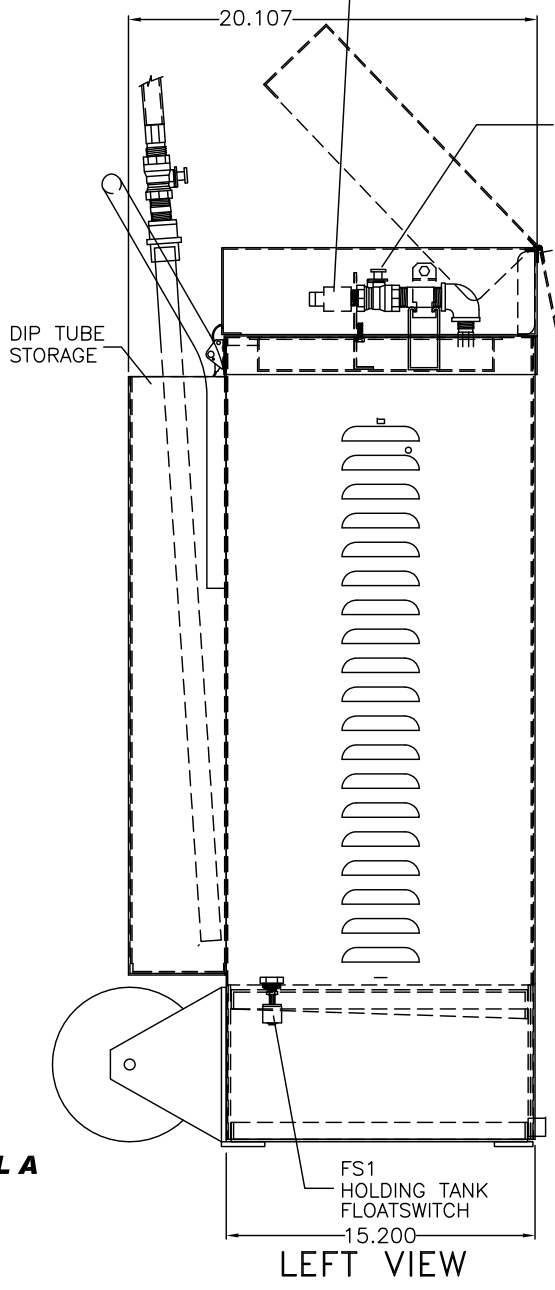
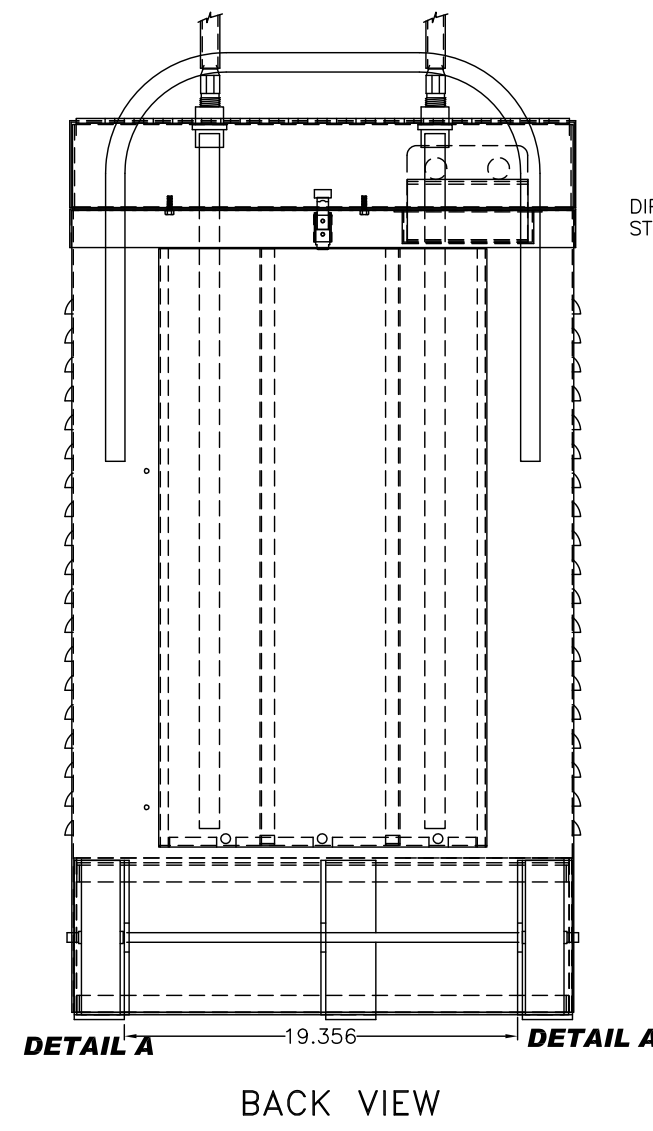
FOR USE WITH DIESEL FUEL ONLY, DO NOT USE WITH GASOLINE

PUMP CAPACITY 5 GPM
 PUMP LIFT 10 FEET MAXIMUM
 FLUID VISCOSITY 32-50 SSU
 PUMP MOTOR HP 0.33
 VOLTAGE 115VAC, 1Ø, 60HZ

FULL LOAD AMPS: 7.7A
 SYSTEM TOTAL
 MOTOR AMPS: 7.2
 80 MESH BASKET STRAINER
 5 MICRON FINISH FILTER
 5 P.P.M. WATER SEPARATOR

| | | | |
|---|--------------------------------|----------------------------|-------------------------|
| POWER AVAILABLE L1 | CHANGE PRE FILTER L2 | CHANGE FILTER L3 | PUMP RUN PB1 |
| EMPTY HOLDING TANK L4 | DRAIN SEPARATOR L5 | FUSE F1 2A | PUMP STOP PB2 |
| DISPOSE OF WASTE WATER AS HAZARDOUS WASTE | | FUSE F2 2A | |

NAME PLATE DETAIL



- NOTES:**
- 1) MATERIAL, .080 or 1/8" ALUMINUM
 - 2) ENCLOSURE POWDER COATED SAFETY YELLOW

THE INFORMATION HEREON IS THE PROPERTY OF SIMPLEX, INC., AND/OR ITS SUBSIDIARIES. WITHOUT WRITTEN PERMISSION ANY COPYING, TRANSMITTAL TO OTHERS AND USE EXCEPT THAT FOR WHICH IT IS LOANED IS PROHIBITED. DESIGN SUBJECT TO CHANGE WITHOUT NOTICE. ©2010 SIMPLEX, INC. ALL RIGHTS RESERVED.

| | | |
|---------------------|-----------------------|-----------------------|
| SIMPLEX | | SPRINGFIELD, ILLINOIS |
| SCALE : | APPROVED BY : | DRAWN BY : RER |
| DATE : 08-10-10 | | REVISED : |
| JOEFILTER PICTORIAL | | |
| STANDARD | DRAWING NUMBER 211959 | |