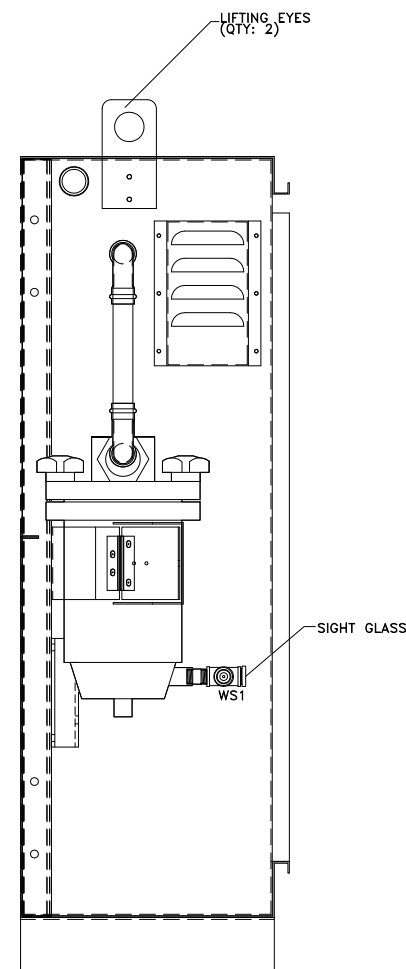
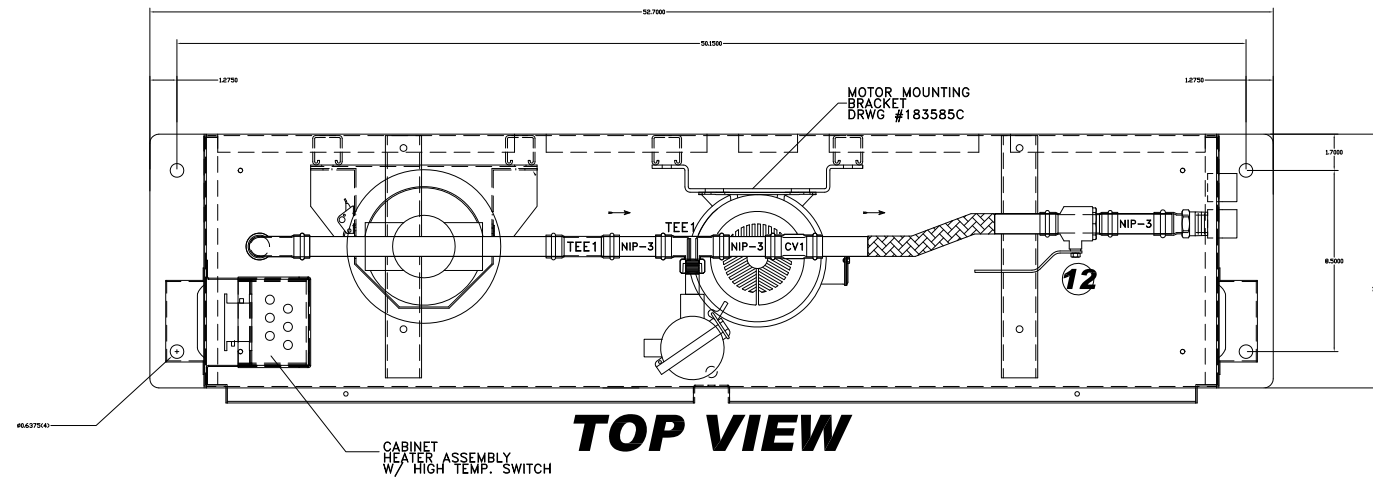
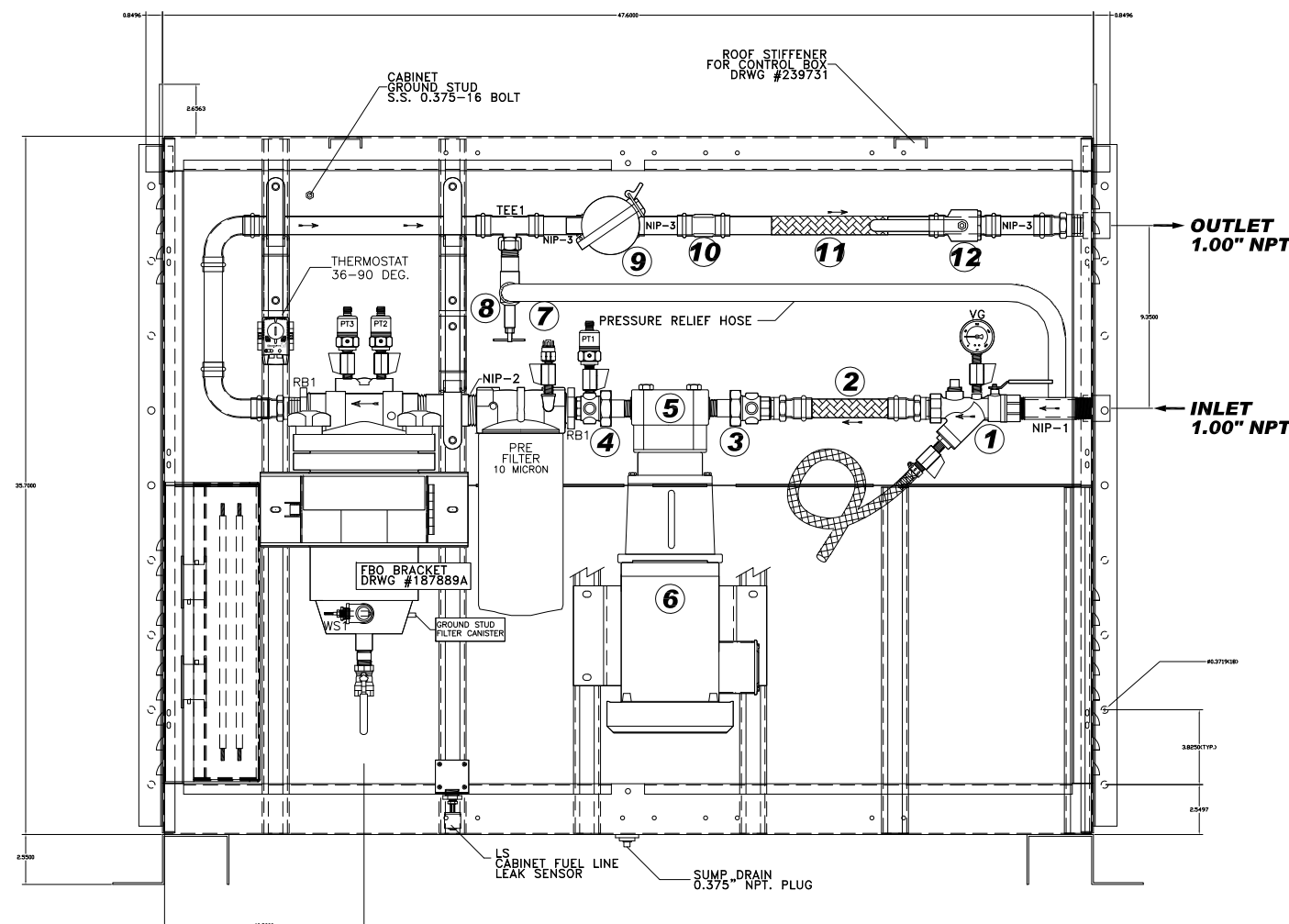


NOTES

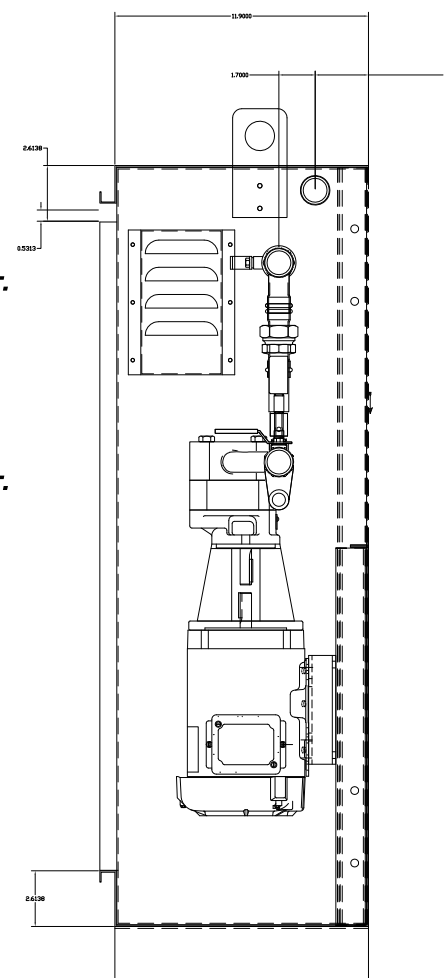
- 1) ALL DIMENSIONS ±.50
- 2) DUE TO SYSTEM COMPLEXITY SOME COMPONENTS MAY NOT BE VISIBLE IN ALL VIEWS



**LEFT SIDE VIEW
LESS OUTER DOORS**



**FRONT VIEW
LESS OUTER DOORS**



**RIGHT SIDE VIEW
LESS OUTER DOORS**

<input type="checkbox"/>	2 G.P.M. OPTION 399, CAST ALUMINUM, 1/2" INLET, 1/2" OUTLET	(PN=24741020)
<input type="checkbox"/>	7 G.P.M. OPTION 400, CAST ALUMINUM, 3/4" INLET, 1/2" OUTLET	(PN=24743100)
<input checked="" type="checkbox"/>	10 G.P.M. OPTION 410, CAST ALUMINUM, 3/4" INLET, 1/2" OUTLET	(PN=24747250)
<input type="checkbox"/>	17 G.P.M. OPTION 415, CAST ALUMINUM, 3/4" INLET, 1/2" OUTLET	(PN=24747520)
<input type="checkbox"/>	2 G.P.M. OPTION 502, CAST IRON, 1/2" INLET, 1/2" OUTLET	(PN=24740002)
<input type="checkbox"/>	5 G.P.M. OPTION 505, CAST IRON, 3/4" INLET, 3/4" OUTLET	(PN=24740005)
<input type="checkbox"/>	7 G.P.M. OPTION 507, CAST IRON, 1" INLET, 1" OUTLET	(PN=24740007)
<input type="checkbox"/>	10 G.P.M. OPTION 510, CAST IRON, 1" INLET, 1" OUTLET	(PN=24740010)
<input type="checkbox"/>	15 G.P.M. OPTION 517, CAST IRON, 1" INLET, 1" OUTLET	(PN=24740015)
<input type="checkbox"/>	17 G.P.M. OPTION 519, CAST IRON, 1" INLET, 1" OUTLET	(PN=24740015)

<input type="checkbox"/>	0.50 H.P. OPTION 722, 3PH, 60HZ, 208-230/460VAC, TEFC, 56C-FACE	(PN=24634000A)
<input type="checkbox"/>	0.50 H.P. OPTION 745, 1PH, 60HZ, 115/230VAC, TEFC, 56C-FACE	(PN=24631000A)
<input type="checkbox"/>	0.75 H.P. OPTION 822, 3PH, 60HZ, 208-230/460VAC, TEFC, 56C-FACE	(PN=24639000A)
<input checked="" type="checkbox"/>	0.75 H.P. OPTION 845, 1PH, 60HZ, 115/230VAC, TEFC, 56C-FACE	(PN=24636500A)
<input type="checkbox"/>	1.0 H.P. OPTION 900/905, 1PH, 60HZ, 115/208-230VAC, TEFC, 56C-FACE	(PN=24639550A)
<input type="checkbox"/>	1.0 H.P. OPTION 925, 3PH, 60HZ, 208-230/460VAC, TEFC, 56C-FACE	(PN=24639575A)

- BV/FSR
- 1 BALL VALVE/
FUEL STRAINER COMBO
1.00" NPT. FEMALE INLET/OUTLET
- H1
- 2 INLET HOSE, STAINLESS STEEL, FLEX
10.50" OVER ALL LENGTH
W/ MALE NPT. FITTINGS ON BOTH ENDS
- UN1
- 3 UNION
1.00" NPT. FEMALE INLET
OUTLET MALE TAILPIECE SIZE OF PUMP INLET
- UN2
- 4 UNION
INLET MALE TAILPIECE SIZE OF PUMP OUTLET
1.00" NPT. MALE OUTLET
- PS
- 7 LINE PRESSURE SWITCH
0.25" NPT. FITTING
SET @ 60 P.S.I.
- PRV
- 8 PRESSURE RELIEF VALVE
0.75" NPT. 0-300 PSI.
SET @ 65 P.S.I.
- FLS
- 9 FLOW SWITCH
0.75" NPT. 24VDC
1.2" PROBE LENGTH
- CV
- 10 CHECK VALVE
1.00" PRO-PRESS
BRONZE BODY
- H2
- 11 OUTLET HOSE, STAINLESS STEEL, FLEX
14.00" OVER ALL LENGTH
W/ PRO-PRESS FITTINGS ON BOTH ENDS
- BV1
- 12 BALL VALVE 1.00"
PRO-PRESS
BRONZE BODY
- 1.00"x5.00" NIPPLE
STAINLESS STEEL W/
0.75" NPT. STAINLESS STEEL THEAD-O-LET
FOR PRESSURE RELIEF LINE
REFERENCE DRWG #240752
- NIP-1
- NIP-2 1.50"x4.00" NIPPLE
STAINLESS STEEL
- NIP-3 1.00"x4.00" NIPPLE
PRO-PRESS STAINLESS STEEL (QTY: 3)

THE INFORMATION HEREON IS THE PROPERTY OF SIMPLEX, INC., AND/OR ITS SUBSIDIARIES. WITHOUT WRITTEN PERMISSION ANY COPYING, TRANSMITTAL TO OTHERS AND USE EXCEPT THAT FOR WHICH IT IS LOANED IS PROHIBITED. DESIGN SUBJECT TO CHANGE WITHOUT NOTICE. ©2012 SIMPLEX, INC. ALL RIGHTS RESERVED.

SIMPLEX			SPRINGFIELD, ILLINOIS
SCALE :	APPROVED BY :	DRAWN BY : RER	
DATE : 05-30-12		REVISED :	
COMPACT SMARTFILTER PLUMBING			
UL 508A	STANDARD	DRAWING NUMBER 211961A	