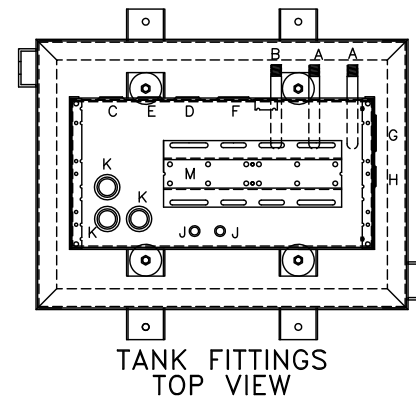


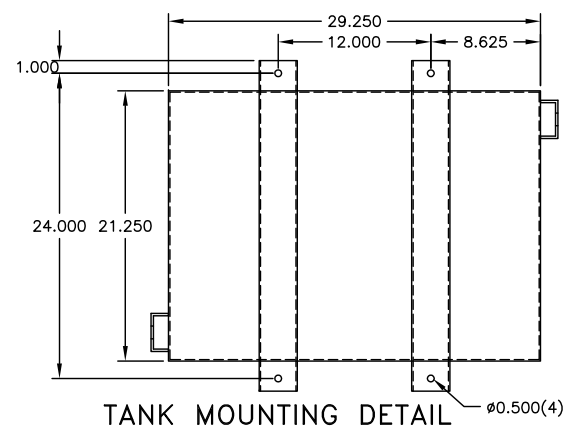
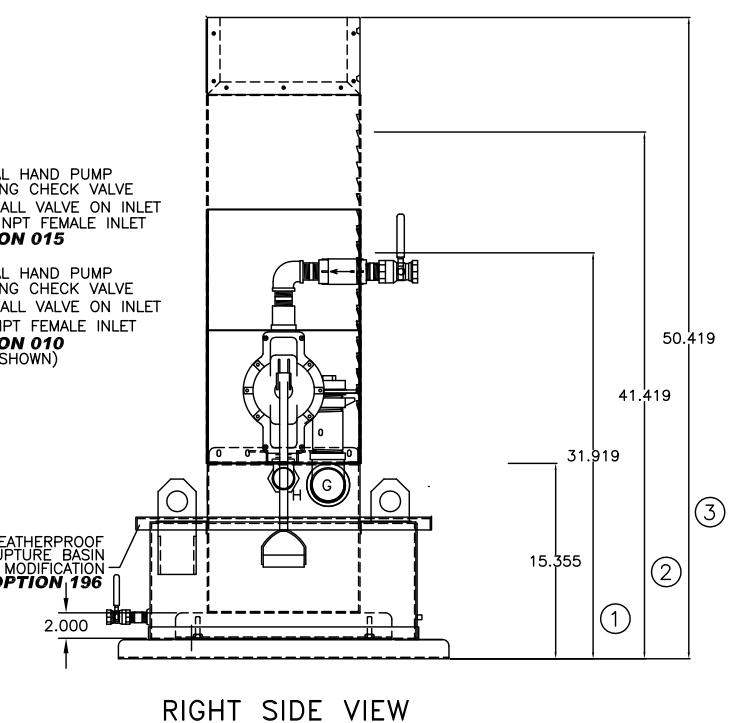
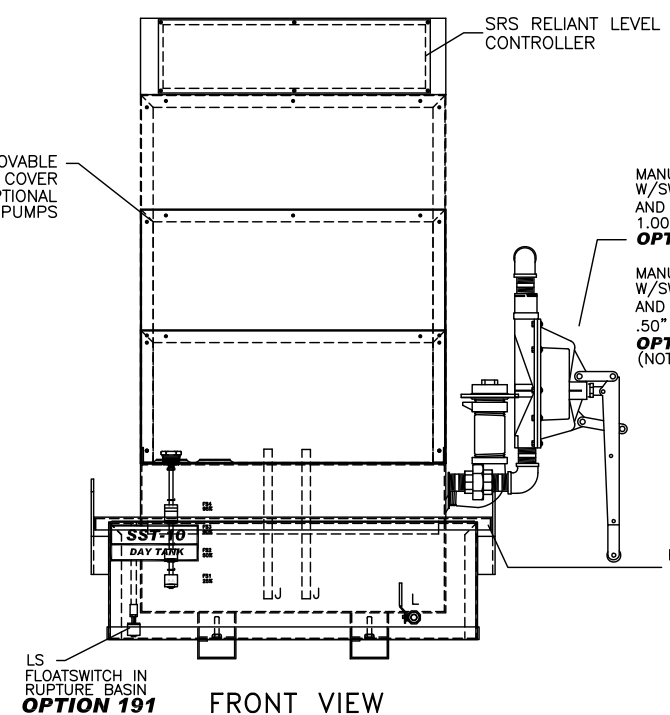
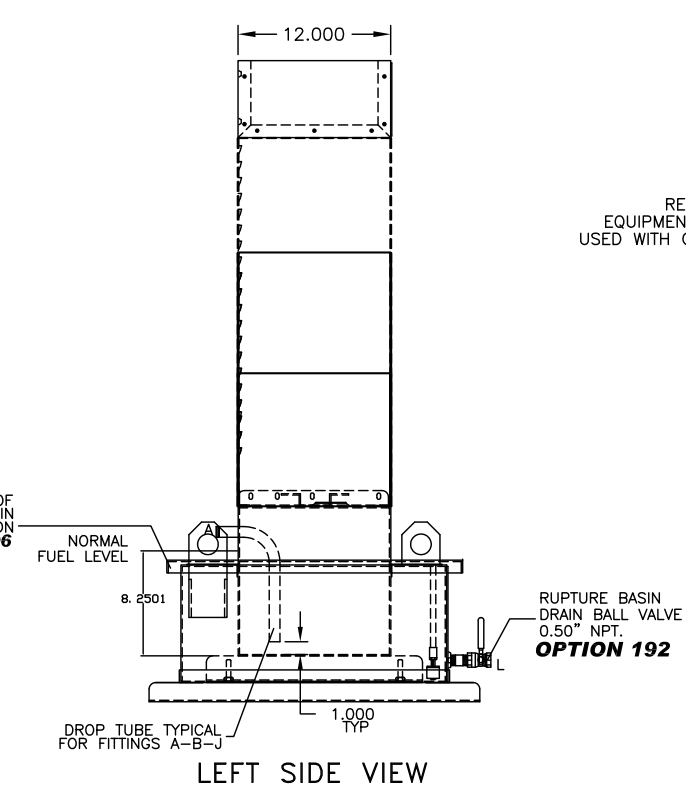
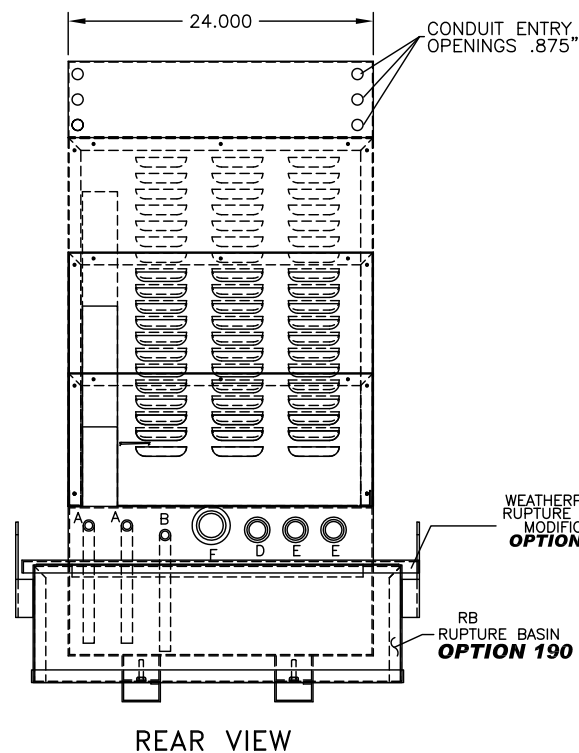
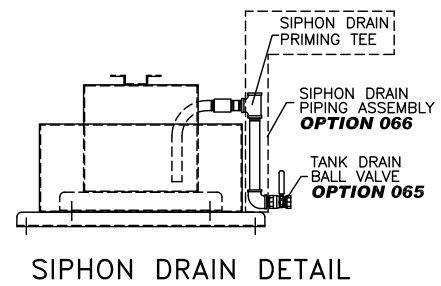
TANK FITTING SCHEDULE		
PORT	DESCRIPTION	SIZE
A	DROP TUBE	0.50" NPT, MALE
B	SIPHON DRAIN DROP TUBE	0.50" NPT, MALE
C	OVERFLOW PORT (NOT USED WITH RETURN PUMP)	1.00" NPT, FEMALE
D	ENGINE RETURN PORT	1.00" NPT, FEMALE
E	EXTRA PIPE FLANGE	1.00" NPT, FEMALE
F	TANK VENT PORT	1.50" NPT, FEMALE
G	FILL PORT	2.00" NPT, FEMALE
H	HAND PUMP MOUNTING PORT	0.75" NPT, FEMALE
J	PUMP CONNECTION TO TANK DROP TUBE	0.50" NPT, MALE
K	FLOATSWITCH MTG/INSPECTION PORT	1.00" NPT, FEMALE
L	RUPTURE BASIN DRAIN	.375" NPT, FEMALE
M	PUMP MOTOR MOUNTING BRACKET	



OPTIONS INSTALLED	
<input type="checkbox"/>	X002-DELETION OF STD PUMP & MOTOR
<input type="checkbox"/>	015-MANUAL HAND PUMP
<input type="checkbox"/>	025-MANUAL FILL PIPE W/LOCKABLE CAP
<input type="checkbox"/>	060-FUEL STRAINER, Y-TYPE
<input type="checkbox"/>	061-FUEL STRAINER, Y-TYPE, 1.0" NPT, 40 MESH
<input type="checkbox"/>	064-EMERGENCY VENT CAP, 4.00"NPT., 2.5 P.S.I.
<input type="checkbox"/>	065-TANK DRAIN BALL VALVE
<input type="checkbox"/>	066-SIPHON DRAIN PIPING ASSEMBLY
<input type="checkbox"/>	070-PRIMING TEE & CHECK VALVE ASSEMBLY
<input type="checkbox"/>	080-SOLENOID VALVE, N.C. 115VAC
<input type="checkbox"/>	087-MANUAL SHUT-OFF BALL VALVE
<input type="checkbox"/>	088- MANUAL SHUT-OFF BALL VALVE 1.00"NPT
<input type="checkbox"/>	101-VACUUM GAUGE
<input type="checkbox"/>	190-SECONDARY CONTAINMENT, OPEN TOP
<input type="checkbox"/>	191-FLOATSWITCH IN SECONDARY CONTAINMENT
<input type="checkbox"/>	192-SECONDARY CONTAINMENT DRAIN BALL VALVE
<input type="checkbox"/>	196-WEATHERPROOF SECONDARY CONTAINMENT

OPTIONS INSTALLED	
<input type="checkbox"/>	120- EXTRA 1.00" PIPE CONNECTION
<input type="checkbox"/>	125- EXTRA ENGINE SUCTION STANDPIPE
<input type="checkbox"/>	270- POWER AVAILABLE PILOT LIGHT
<input type="checkbox"/>	280- PUMP RUN-OFF-AUTO SWITCH
<input type="checkbox"/>	311-LOW FUEL LEVEL ALARM
<input type="checkbox"/>	312-HIGH FUEL LEVEL ALARM
<input type="checkbox"/>	325-HIGH FUEL LEVEL PUMP STOP
<input type="checkbox"/>	333-CRITICAL LOW LEVEL ALARM-ENGINE SHUT DOWN
<input type="checkbox"/>	340- PUMP RUNNING LIGHT
<input type="checkbox"/>	345- DUPLEX PUMP CONTROLLER
<input type="checkbox"/>	390-RETURN PUMP & CONTROLLER
<input type="checkbox"/>	HIGH TOP USED W/ SINGLE PUMP 3/4 H.P. OR DUPLEX PUMPS/MOTORS

OPTIONS SHIPPED LOOSE	
<input type="checkbox"/>	050- PIPE STAND ADAPTER BASE
<input type="checkbox"/>	063- VENT CAP
<input type="checkbox"/>	087- MANUAL SHUT-OFF BALL VALVE .50"NPT
<input type="checkbox"/>	090- FOOT VALVE 1.00" NPT
<input type="checkbox"/>	093- FUSIBLE LINK VALVE 1.50" NPT
<input type="checkbox"/>	110-RELOCATION OF STD PUMP & MOTOR
<input type="checkbox"/>	377- ANTI-SIPHON SOLENOID VALVE, N.O. 120VAC



DAY TANK SHOWN WITH STANDARD CONTROL SECTION AND OPTIONAL DUPLEX PUMP/LARGE PUMP SECTION SEE TANK HEIGHT DETAIL.

- NOTES:
- 1) CONSTRUCTION: 12 GA. H.R.S.
  - 2) LISTING: UL 142
  - 3) RATING: ATMOSPHERIC TANK TESTED TO 5 PSI
  - 4) FINISH: TANK POWDER COATED BONE WHITE  
RUPTURE BASIN POWDER COATED BONE WHITE  
EQUIPMENT COVER POWDER COATED BONE WHITE
  - 5) DUE TO SYSTEM COMPLEXITY, SOME COMPONENTS MAY NOT BE VISIBLE IN ALL VIEWS
  - 6) ALL DIMENSIONS ±.125"

THE INFORMATION HEREON IS THE PROPERTY OF SIMPLEX, INC., AND/OR ITS SUBSIDIARIES. WITHOUT WRITTEN PERMISSION ANY COPYING, TRANSMITTAL TO OTHERS AND USE EXCEPT THAT FOR WHICH IT IS LOANED IS PROHIBITED. DESIGN SUBJECT TO CHANGE WITHOUT NOTICE.  
©2010 SIMPLEX, INC. ALL RIGHTS RESERVED.

<b>SIMPLEX</b>		SPRINGFIELD, ILLINOIS
SCALE :	APPROVED BY :	DRAWN BY : RER
DATE : 08-10-10		REVISED :
SST-10 FUEL OIL DAY TANK PICTORIAL		
STANDARD	DRAWING NUMBER 211980	