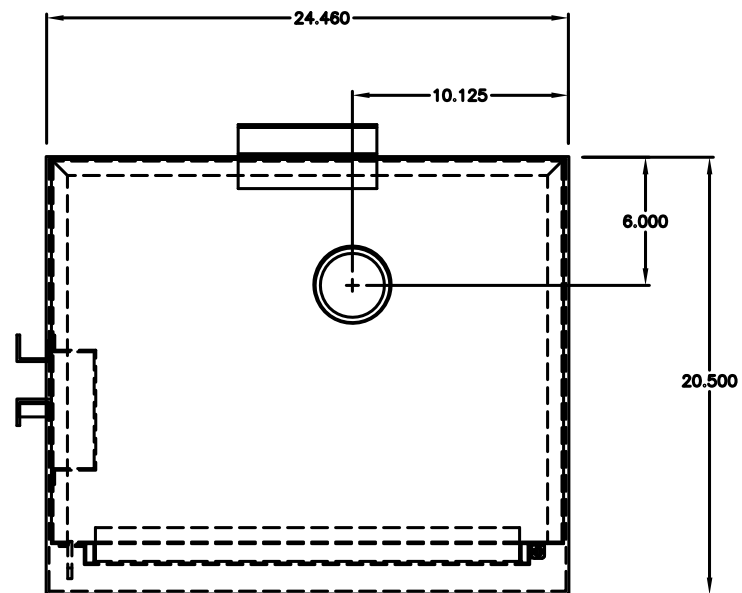
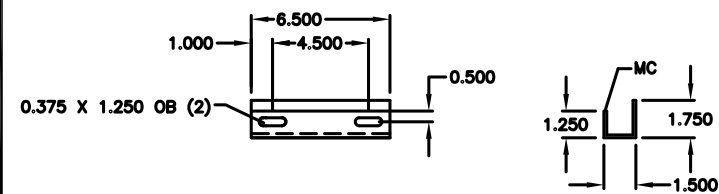


NOTES:

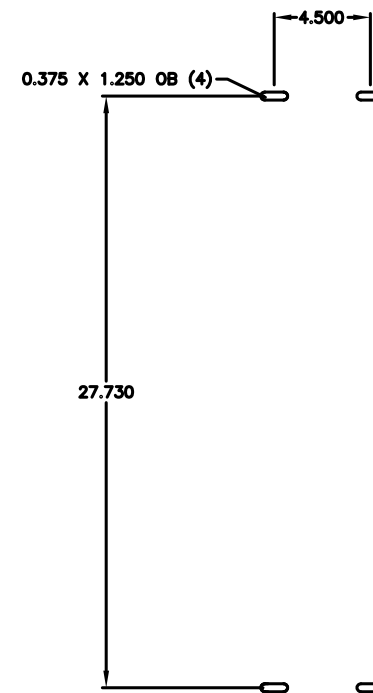
1. CONSTRUCTION: FORMED AND WELDED HOT ROLLED STEEL
2. ALL PARTS CLEANED
3. PAINT: POWDER COAT BONE WHITE
4. PAINT: POWDER COAT BONE WHITE
5. ALL DIMENSIONS +.125
6. FITTING SIZE: 2", 3" OR 4"



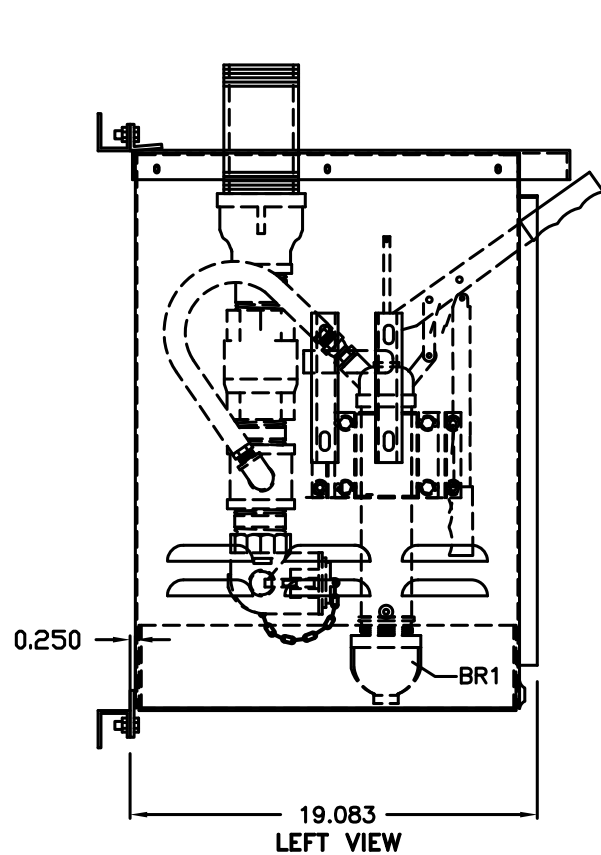
TOP VIEW



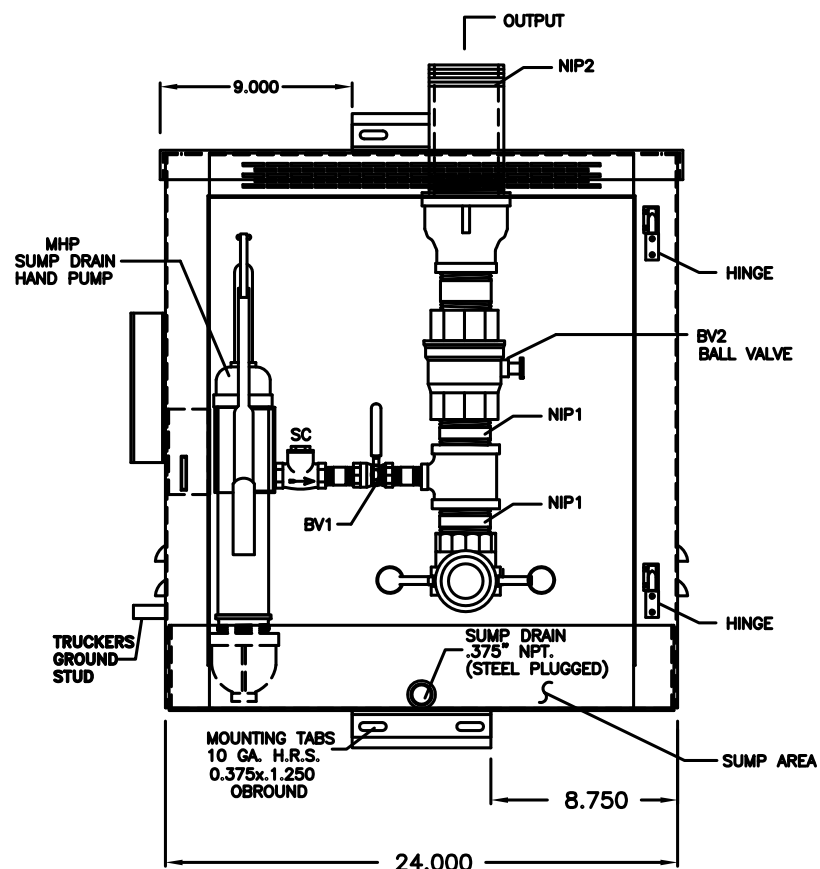
TANK MOUNTING FLANGE DETAIL



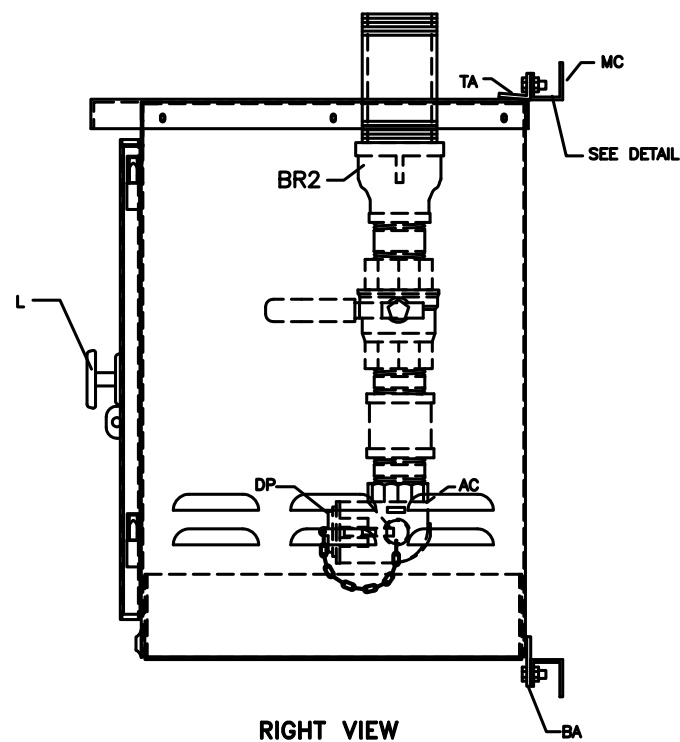
HOLE DRILLING DETAIL



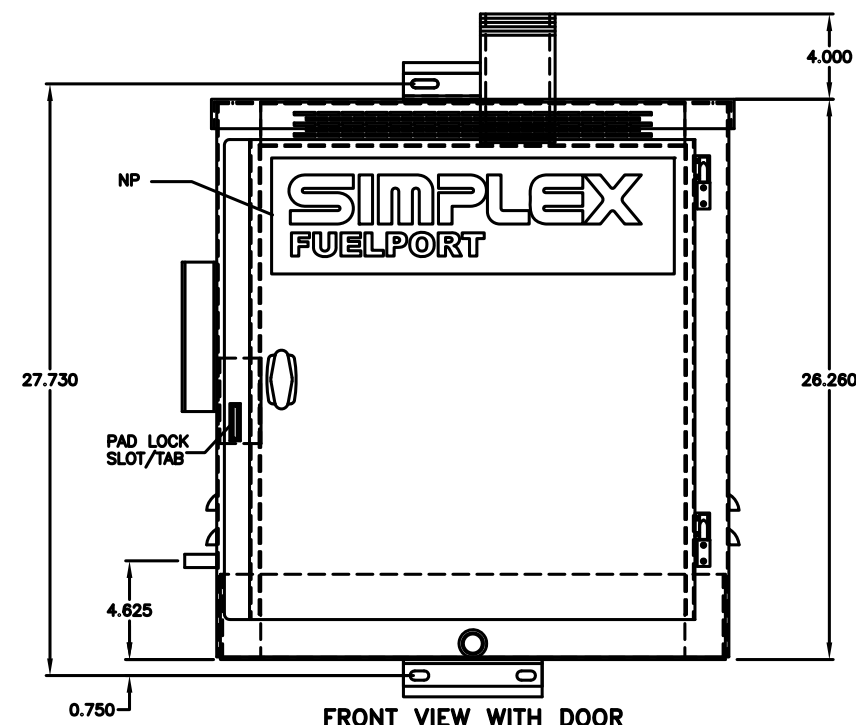
LEFT VIEW



FRONT VIEW LESS DOOR



RIGHT VIEW



FRONT VIEW WITH DOOR

THE INFORMATION HEREON IS THE PROPERTY OF SIMPLEX, INC., AND/OR ITS SUBSIDIARIES. WITHOUT WRITTEN PERMISSION ANY COPYING, TRANSMITTAL TO OTHERS AND USE EXCEPT THAT FOR WHICH IT IS LOANED IS PROHIBITED. DESIGN SUBJECT TO CHANGE WITHOUT NOTICE. ©2010 SIMPLEX, INC. ALL RIGHTS RESERVED.

SIMPLEX		SPRINGFIELD, ILLINOIS
SCALE :	APPROVED BY :	DRAWN BY : RER
DATE : 08-10-10		REVISED :
FUELPORT PICTORIAL		
STANDARD		DRAWING NUMBER 211981