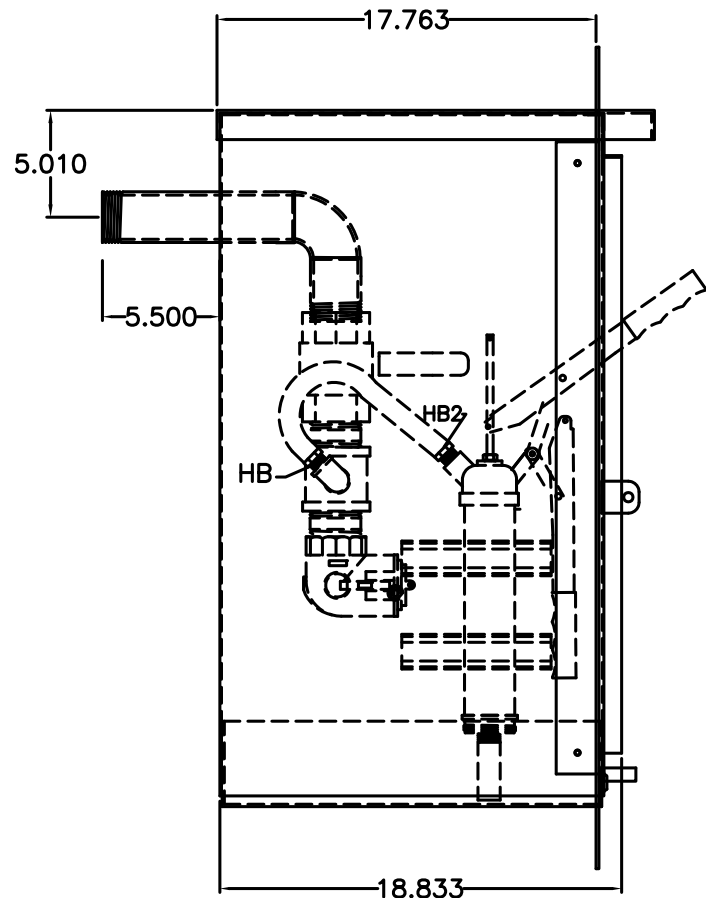


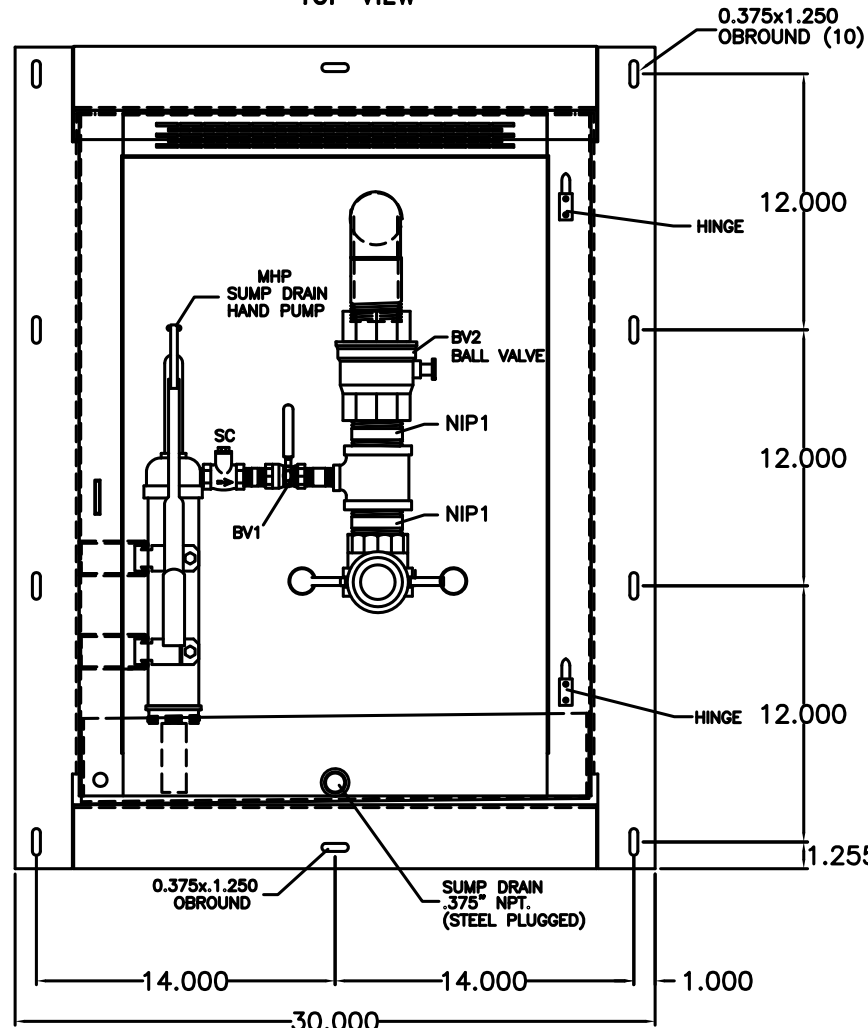
TOP VIEW

NOTES:

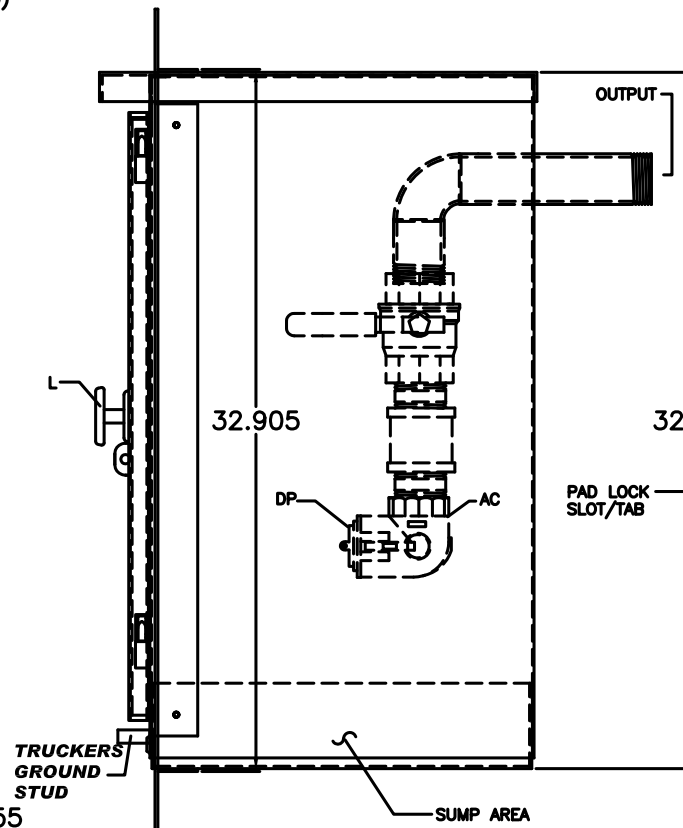
1. CONSTRUCTION: FORMED AND WELDED HOT ROLLED STEEL
2. ALL PARTS CLEANED
3. PAINT: POWDER COAT BONE WHITE
4. ALL ALL DIMENSIONS ± .125"
5. FITTING SIZE: 2", 3" OR 4"



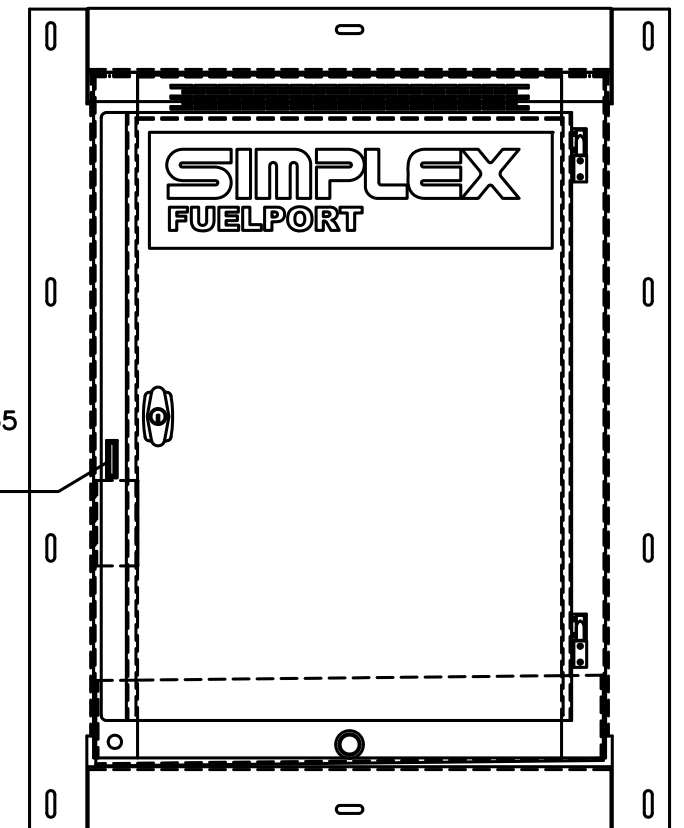
LEFT SIDE



FRONT VIEW LESS DOOR



RIGHT VIEW



FRONT VIEW WITH DOOR

THE INFORMATION HEREON IS THE PROPERTY OF SIMPLEX, INC., AND/OR ITS SUBSIDIARIES. WITHOUT WRITTEN PERMISSION ANY COPYING, TRANSMITTAL TO OTHERS AND USE EXCEPT THAT FOR WHICH IT IS LOANED IS PROHIBITED. DESIGN SUBJECT TO CHANGE WITHOUT NOTICE. ©2010 SIMPLEX, INC. ALL RIGHTS RESERVED.

SIMPLEX		SPRINGFIELD, ILLINOIS
SCALE :	APPROVED BY :	DRAWN BY : RER
DATE : 08-10-10		REVISED :
FUELPORTR FLUSH WALL-MOUNT PICTORIAL		
STANDARD	DRAWING NUMBER 211982	