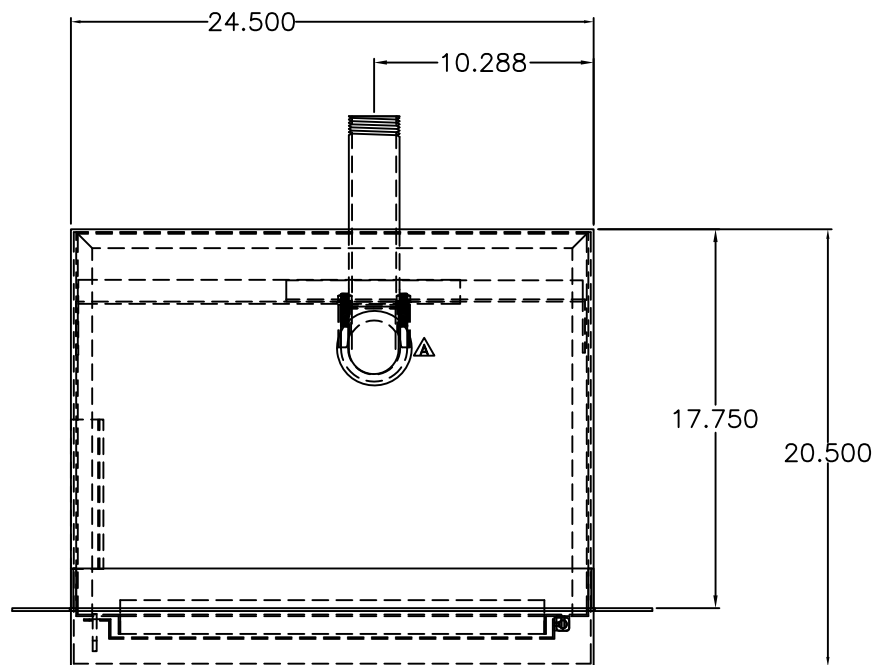


PARTS LIST/LEGEND

ITEM	QTY.	PART NO.	COMP. DESIG.	DESCRIPTION
1	1	22919002A	AC	2" ANGLE CHECK, QUICK DETACHABLE COUPLING ALUMINUM
2	1	22440792	DP	2" DUST PLUG, ALUMINUM
3	1	22918201	BV2	2" BALL VALVE
4	1	22918050	BV1	1/2" BALL VALVE
5	1	24740000	MHP	MANUAL HAND PUMP
6	1	22923105	CV	CHECK VALVE 1/2" NPT. BRONZE
7	1	15454500	L	LOCKABLE DOOR LATCH W/ KEY
8	1	22743000	HB2	HOSE BARB, 1/2" G. H. T.
9	1	22744999	HB	1/2" HOSE BARB
10	2FT	22730001	BH	1/2" CLEAR BRADE HOSE
11	1	22432500	BF	FITTING BRASS 3/4" x 1/2"
13	2	15372001	HINGE	LIFT-OFF MULTIPURPOSE HINGE IN LINE REVERSIBLE 2 1/4" x 19/32", #10
14	1	19405600	U-BOLT	U BOLT FOR 2.00" PIPE

WELDED ITEMS

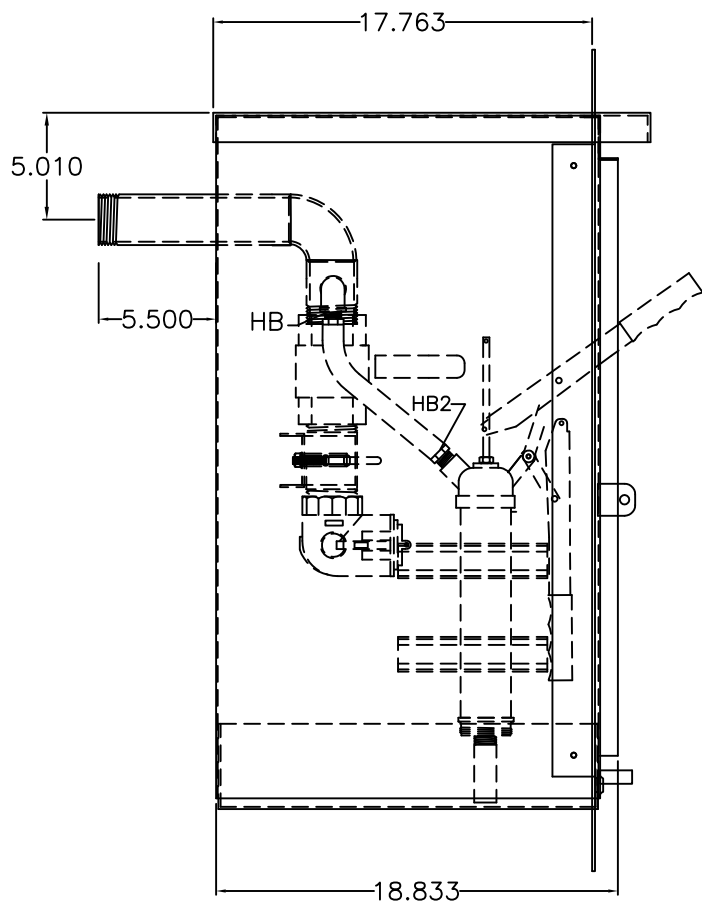
1	1	22464006	BUTT WELD ELBOW, 2"
2	1	NONE	2.00" NPT. x 10" PIPE TDE, SCH. 40
3	1	NONE	2.00" NPT. x 3" PIPE TDE, SCH. 40
4	1	22513100	1/2" NPT. x 2" PIPE TDE, SCH. 80



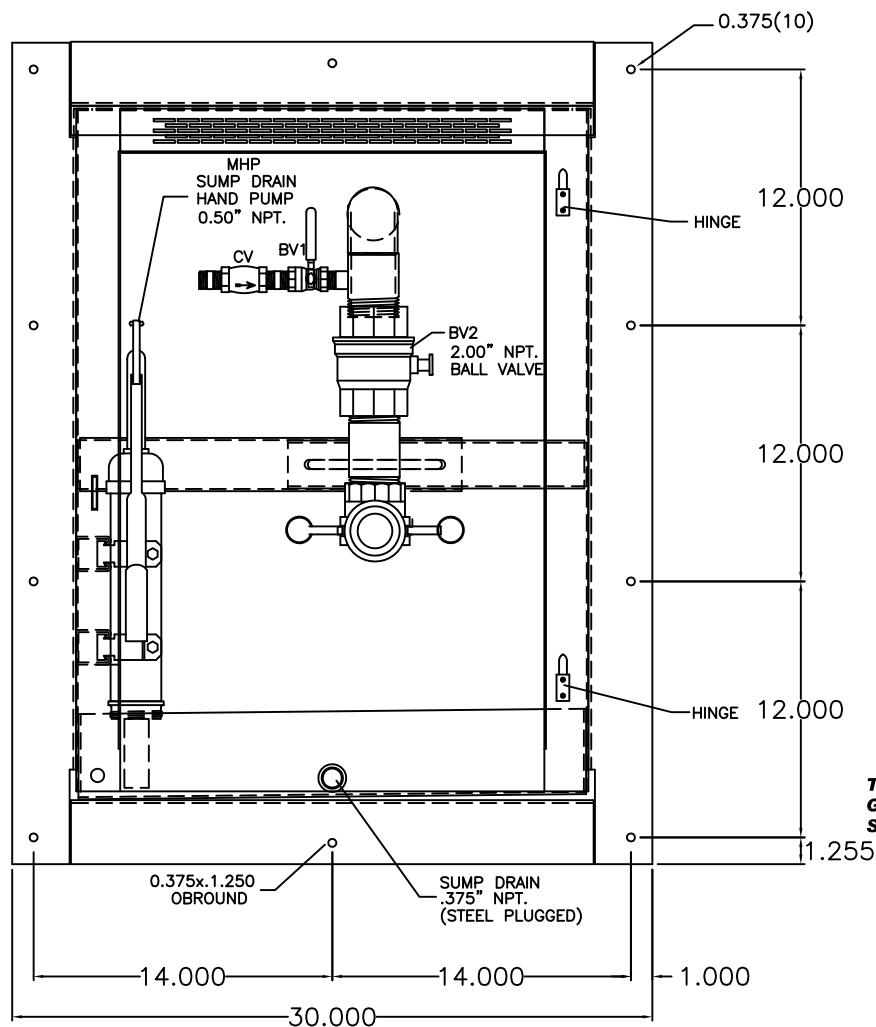
TOP VIEW

NOTES:

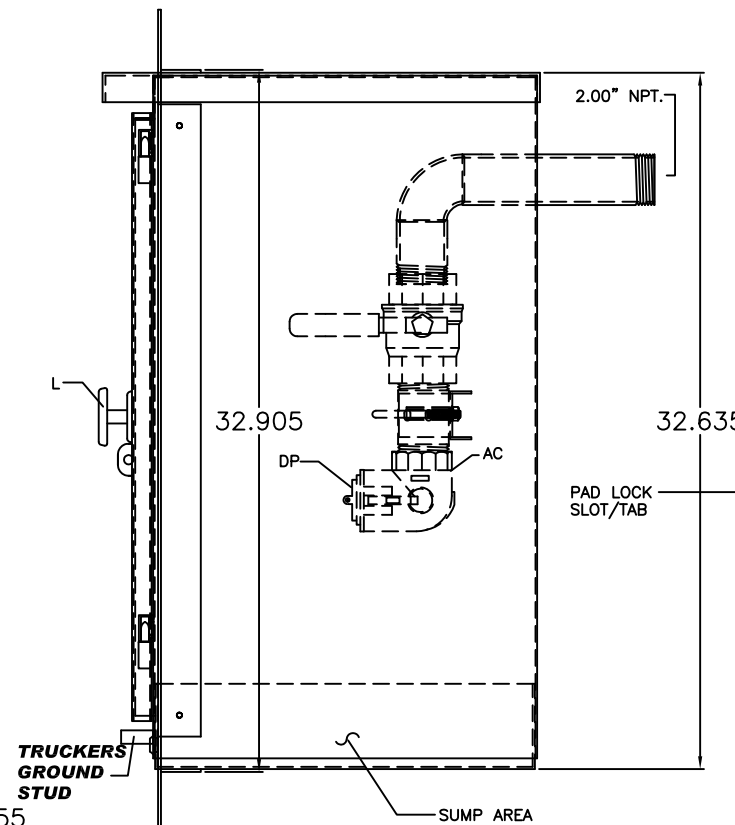
1. CONSTRUCTION: FORMED AND WELDED HOT ROLLED STEEL
2. ALL PARTS CLEANED
3. CABINET = POWDER COAT BONE WHITE
4. DOOR = POWDER COAT BLUE
5. ALL DIMENSIONS +.125



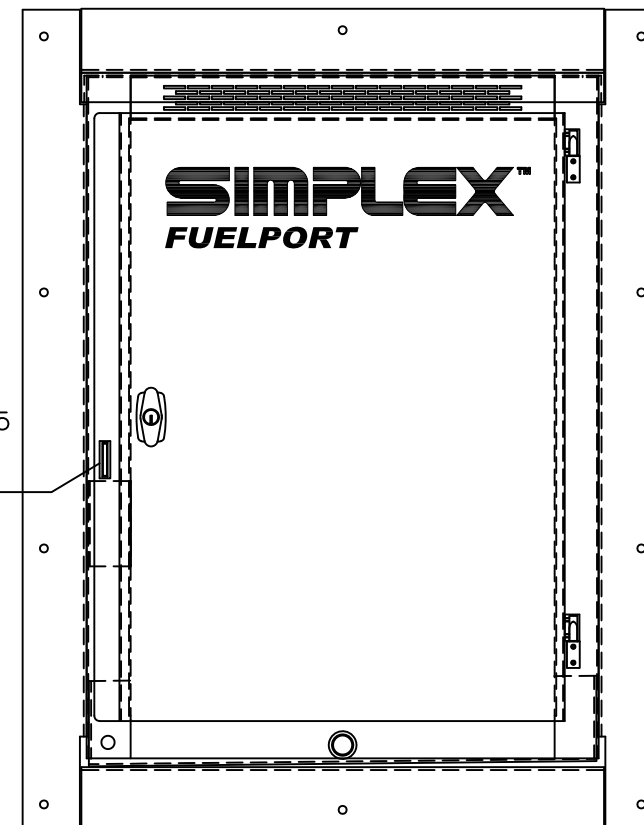
LEFT SIDE



FRONT VIEW LESS DOOR



RIGHT VIEW



FRONT VIEW WITH DOOR

THE INFORMATION HEREON IS THE PROPERTY OF SIMPLEX, INC., AND/OR ITS SUBSIDIARIES. WITHOUT WRITTEN PERMISSION ANY COPYING, TRANSMITTAL TO OTHERS AND USE EXCEPT THAT FOR WHICH IT IS LOANED IS PROHIBITED. DESIGN SUBJECT TO CHANGE WITHOUT NOTICE. ©2014 SIMPLEX, INC. ALL RIGHTS RESERVED.

SIMPLEX		SPRINGFIELD, ILLINOIS
SCALE :	APPROVED BY :	DRAWN BY : RER
DATE : 02-18-14		REVISED :
FUELPORT FLUSH WALL-MOUNT PICTORIAL		
STANDARD	DRAWING NUMBER 211982A	