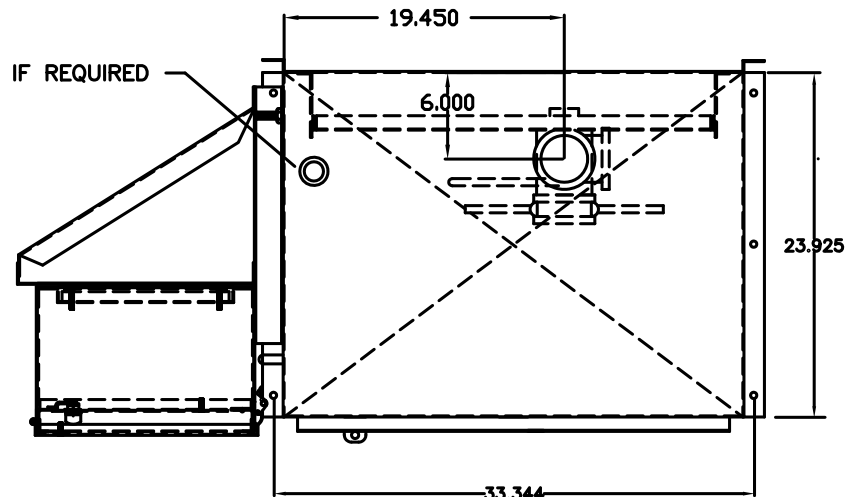
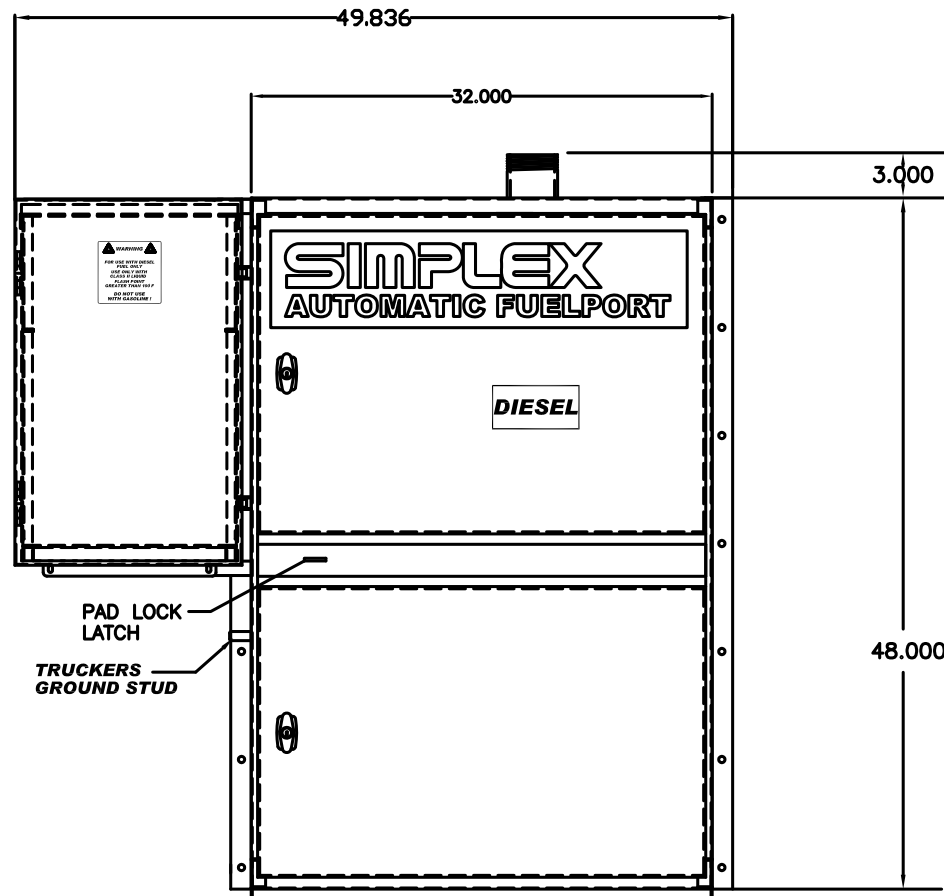


SECTION A-A

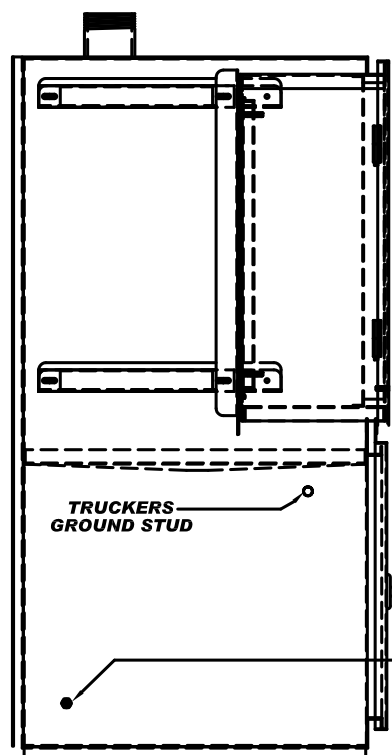
- NOTES:
1. CONSTRUCTION: FORMED AND WELDED HOT ROLLED STEEL
  2. ALL PARTS CLEANED
  3. PAINT: POWDER COAT BONE WHITE
  4. ALL ALL DIMENSIONS  $\pm .125"$
  5. FITTING SIZE: 2", 3" OR 4"



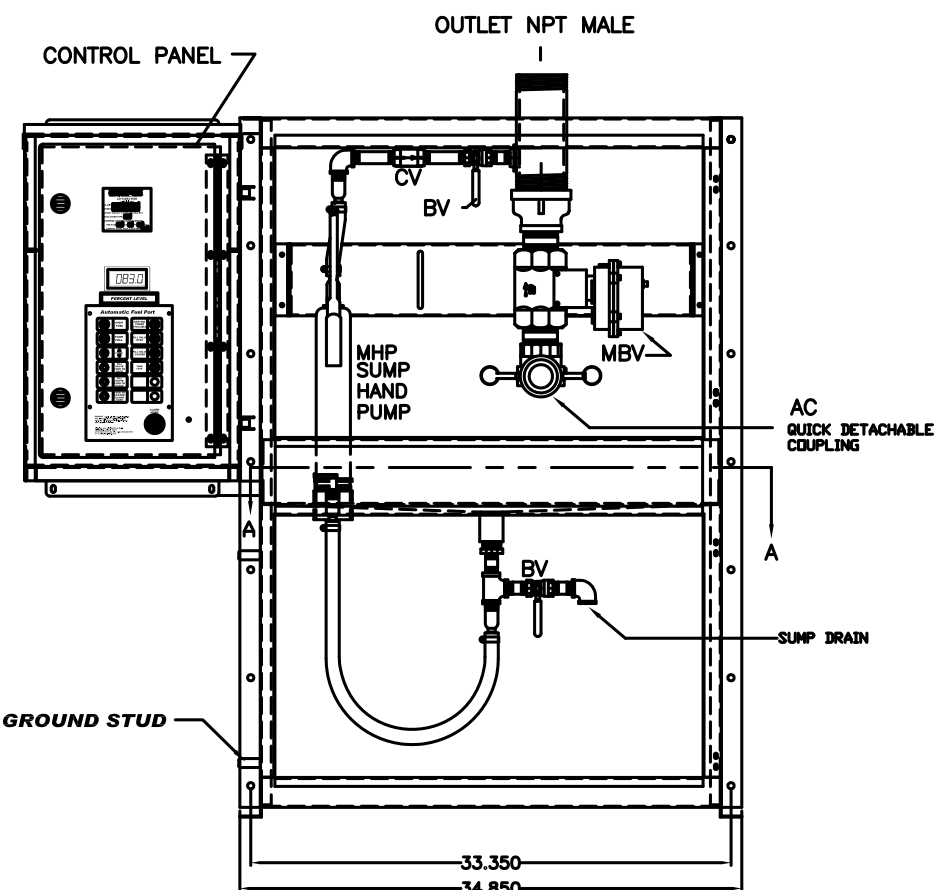
TOP VIEW



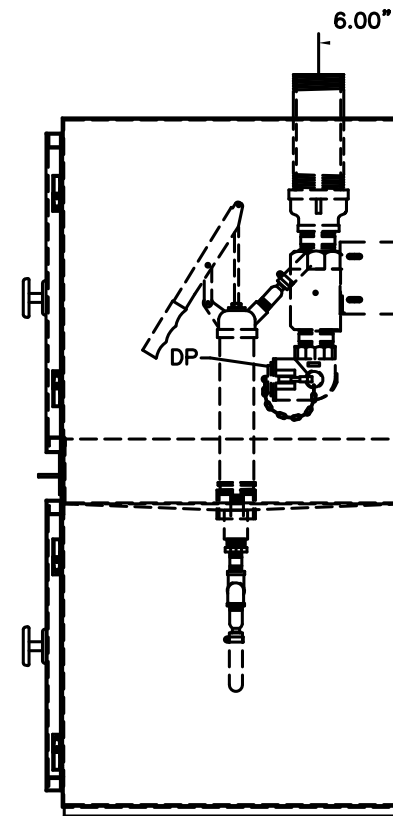
FRONT VIEW WITH DOORS



LEFT SIDE VIEW WITH DOORS



FRONT VIEW  
LESS DOORS



RIGHT SIDE VIEW  
LESS DOORS

THE INFORMATION HEREON IS THE PROPERTY OF SIMPLEX, INC., AND/OR ITS SUBSIDIARIES. WITHOUT WRITTEN PERMISSION ANY COPYING, TRANSMITTAL TO OTHERS AND USE EXCEPT THAT FOR WHICH IT IS LOANED IS PROHIBITED. DESIGN SUBJECT TO CHANGE WITHOUT NOTICE.  
©2010 SIMPLEX, INC. ALL RIGHTS RESERVED.

<b>SIMPLEX</b>		SPRINGFIELD, ILLINOIS
SCALE :	APPROVED BY :	DRAWN BY : RER
DATE : 08-10-10		REVISED :
AUTOMATIC FUELPORT PICTORIAL		
STANDARD		DRAWING NUMBER 211983