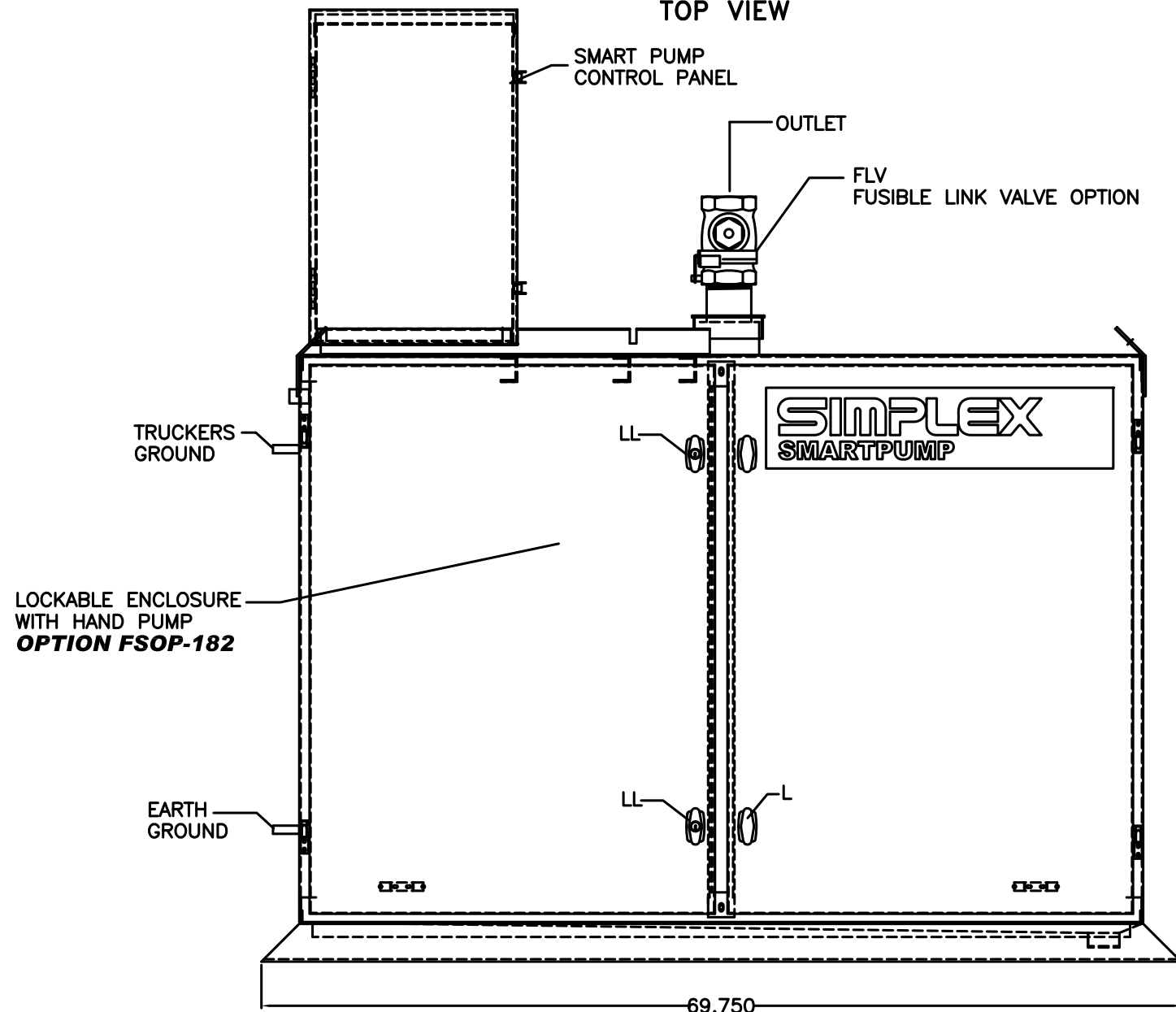
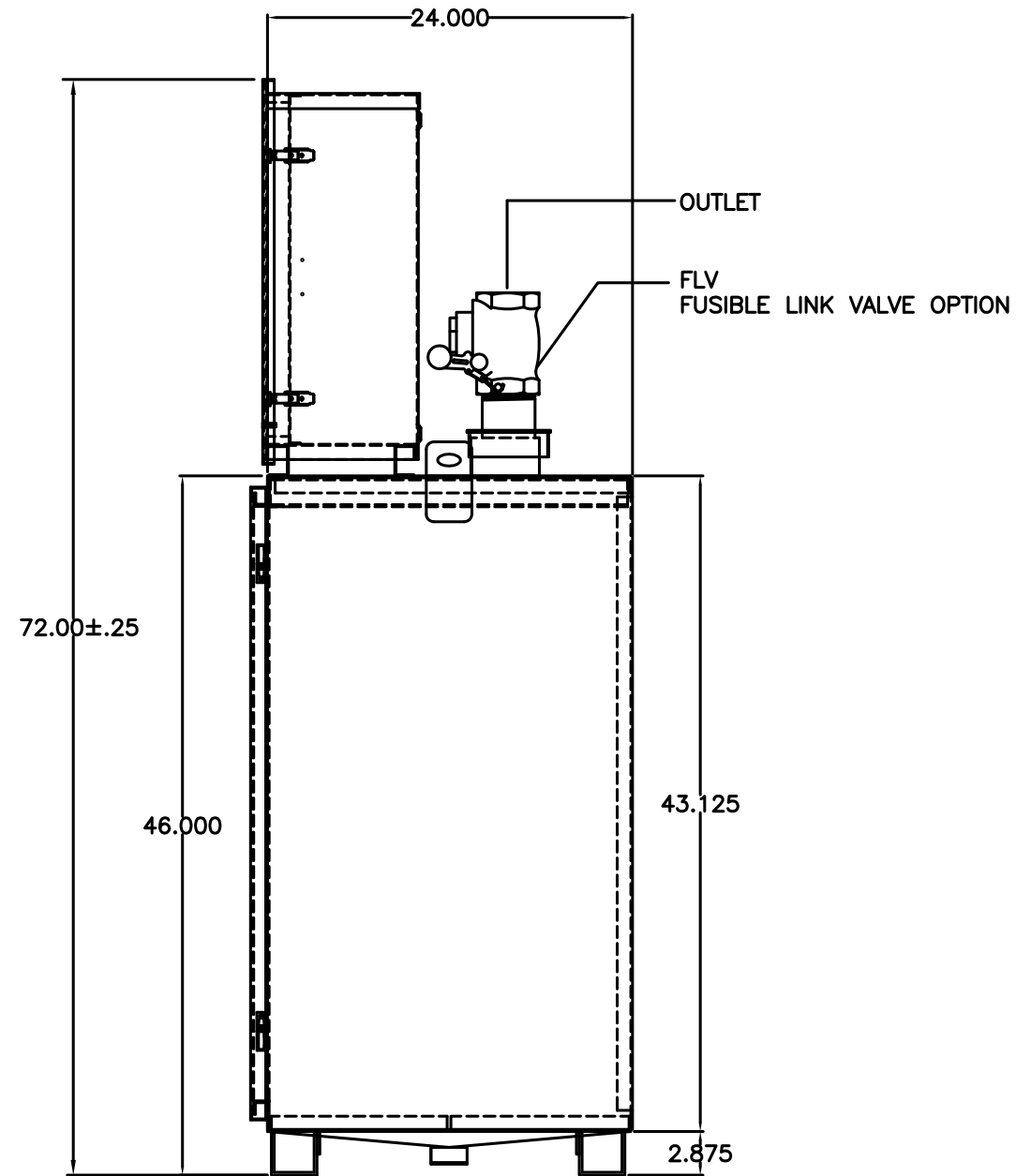


TOP VIEW

- NOTES:
1. CONSTRUCTION: 12 GA. H.R.S.
 2. PAINT: POWDER COAT BONE WHITE AND DOORS POWDER COAT SIMPLEX BLUE
 3. DUE TO COMPLEXITY SOME COMPONENTS MAY NOT BE VISIBLE IN ALL VIEWS
 4. ALL DIMENSIONS $\pm .125"$
 5. FITTING SIZE: 2", 3" OR 4"



FRONT VIEW



RIGHT SIDE VIEW

THE INFORMATION HEREON IS THE PROPERTY OF SIMPLEX, INC., AND/OR ITS SUBSIDIARIES. WITHOUT WRITTEN PERMISSION ANY COPYING, TRANSMITTAL TO OTHERS AND USE EXCEPT THAT FOR WHICH IT IS LOANED IS PROHIBITED. DESIGN SUBJECT TO CHANGE WITHOUT NOTICE. ©2010 SIMPLEX, INC. ALL RIGHTS RESERVED.

SIMPLEX		SPRINGFIELD, ILLINOIS
SCALE :	APPROVED BY :	DRAWN BY : RER
DATE : 08-10-10		REVISED :
SMARTPUMP (OIL) WITH LOCKABLE ENCLOSURE PICTORIAL		
STANDARD		DRAWING NUMBER 211988