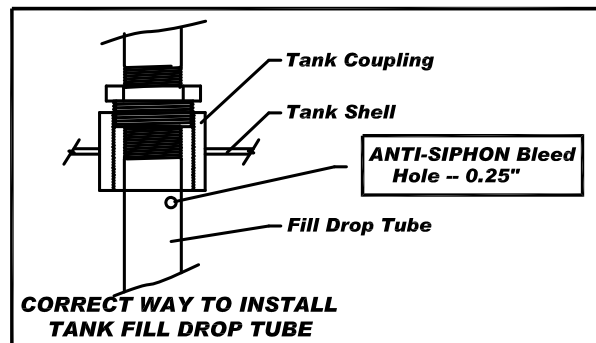
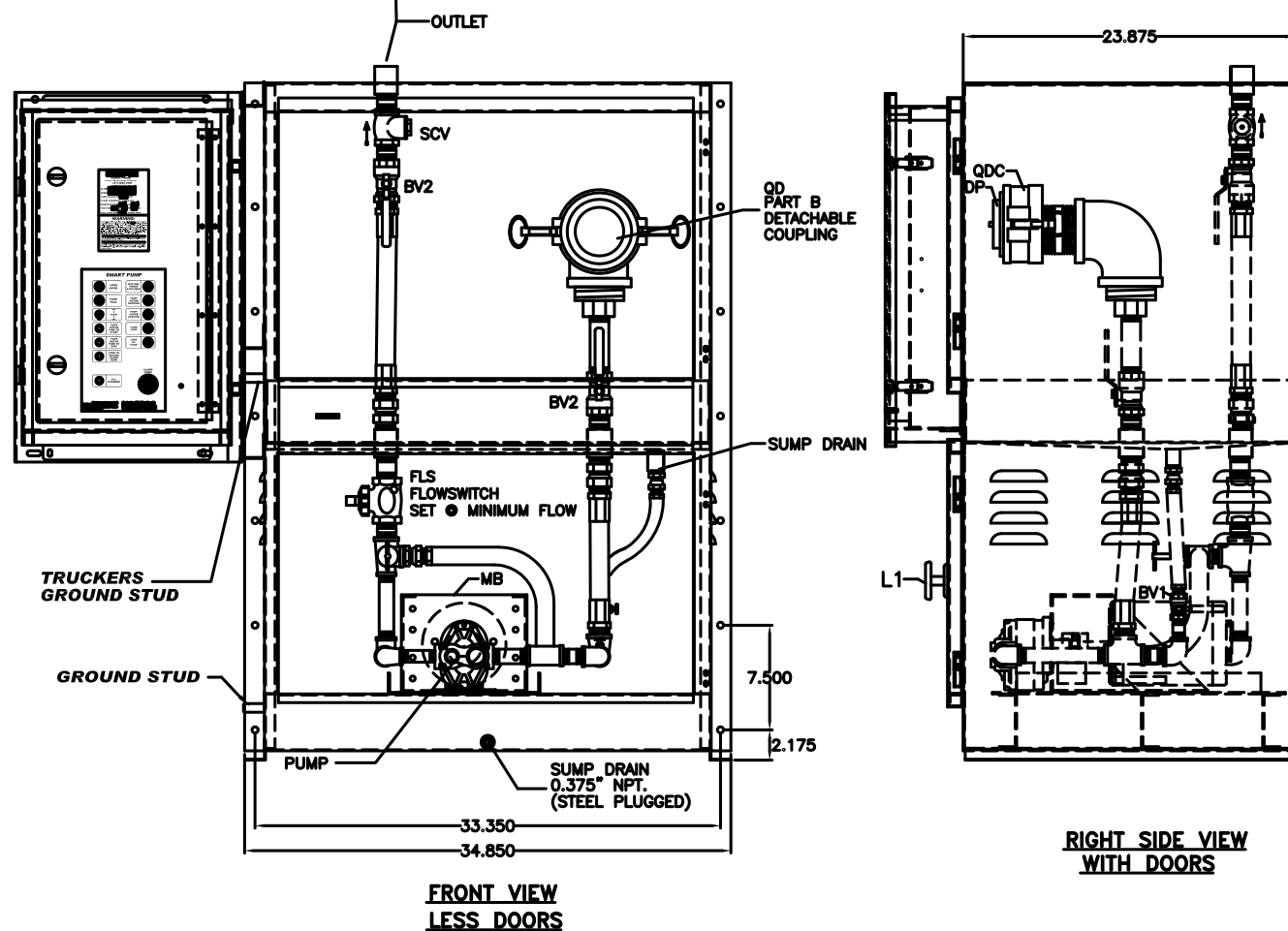
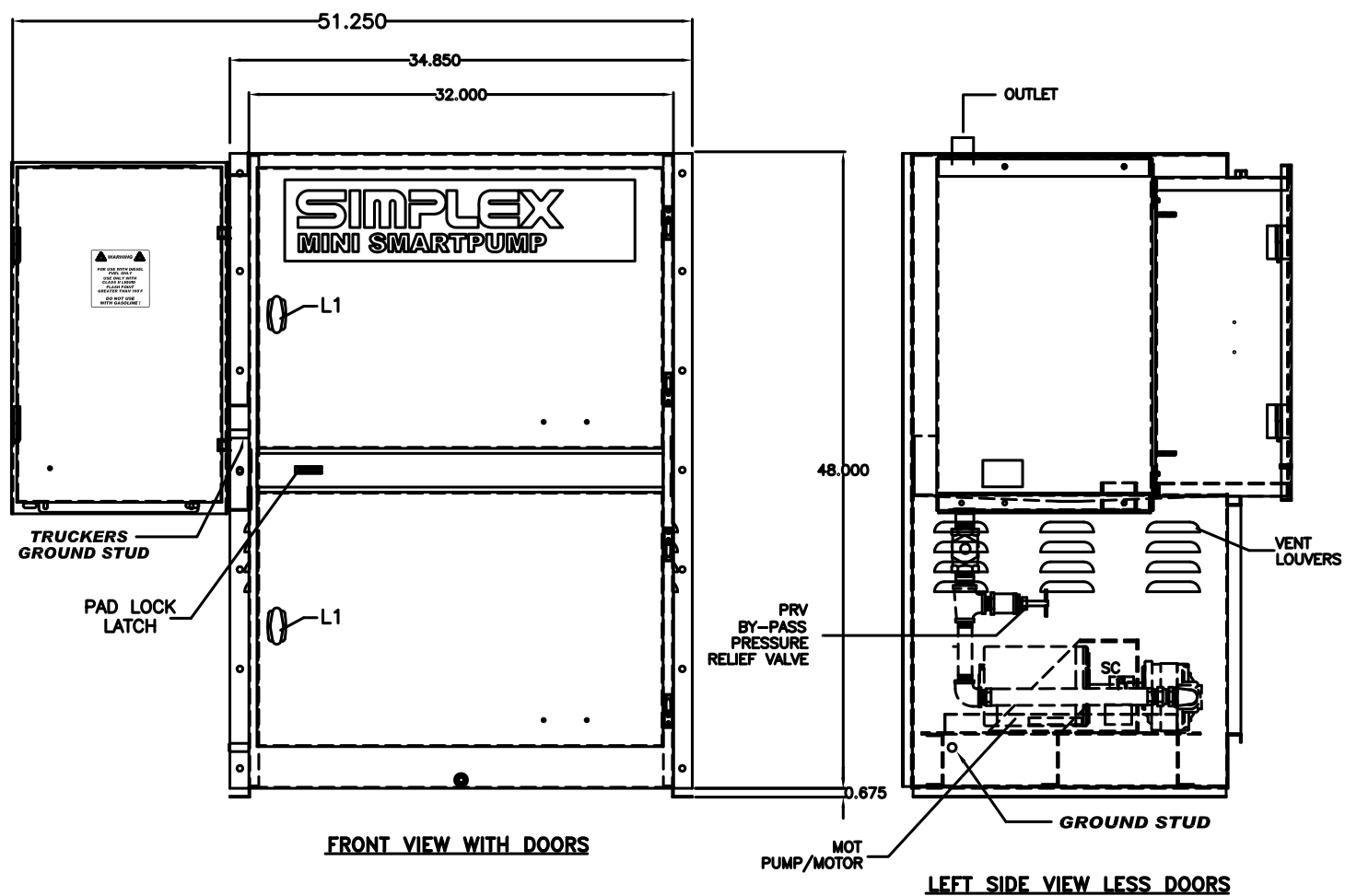
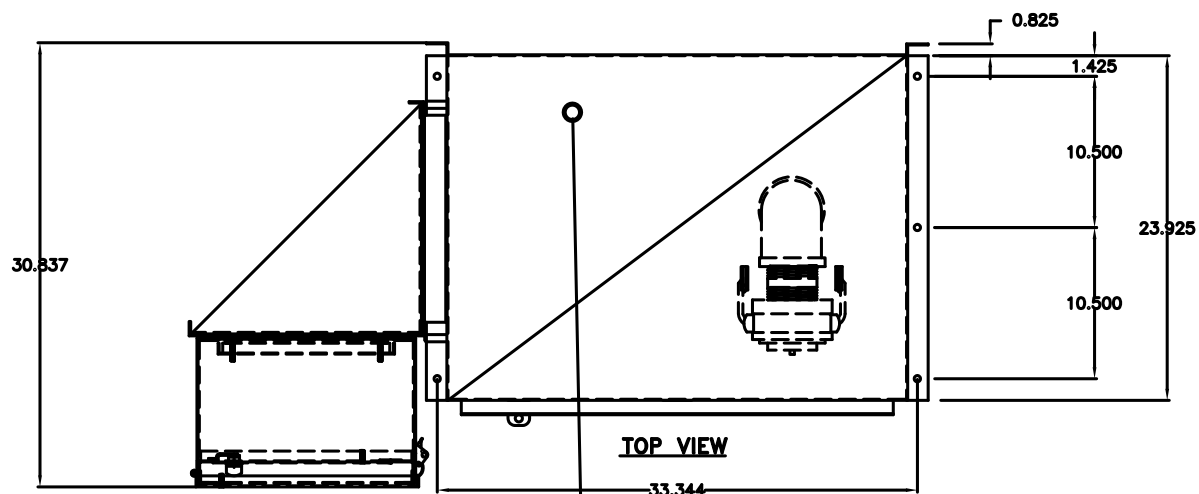


**IMPORTANT INSTALLATION NOTE**

To Prevent Accidental Spill Due To Siphon Backflow, Tank Must Have Drop Tube With ANTI-SIPHON Bleed Hole As Shown Below



DETAIL A



**WARNING**  
NON EXPLOSION PROOF SYSTEM  
FOR NON HAZARDOUS LOCATIONS

**WARNING**  
For use with class II liquids only: diesel fuel, fuel oil; liquids having a flash point greater than 100°F.  
Do not use with gasoline nor with any flammable liquid having a flash point less than 100°F.

- NOTES:
1. CONSTRUCTION: FORMED AND WELDED HOT ROLLED STEEL
  2. ALL PARTS CLEANED
  3. PAINT: POWDER COAT BONE WHITE
  4. ALL ALL DIMENSIONS ± .125"
  5. FITTING SIZE: 2", 3" OR 4"

THE INFORMATION HEREON IS THE PROPERTY OF SIMPLEX, INC., AND/OR ITS SUBSIDIARIES. WITHOUT WRITTEN PERMISSION ANY COPYING, TRANSMITTAL TO OTHERS AND USE EXCEPT THAT FOR WHICH IT IS LOANED IS PROHIBITED. DESIGN SUBJECT TO CHANGE WITHOUT NOTICE.  
©2010 SIMPLEX, INC. ALL RIGHTS RESERVED.

<b>SIMPLEX</b>		SPRINGFIELD, ILLINOIS
SCALE :	APPROVED BY :	DRAWN BY : RER
DATE : 08-10-10		REVISED :
MINI SMARTPUMP PICTORIAL		
UL508A	STANDARD	DRAWING NUMBER 211992