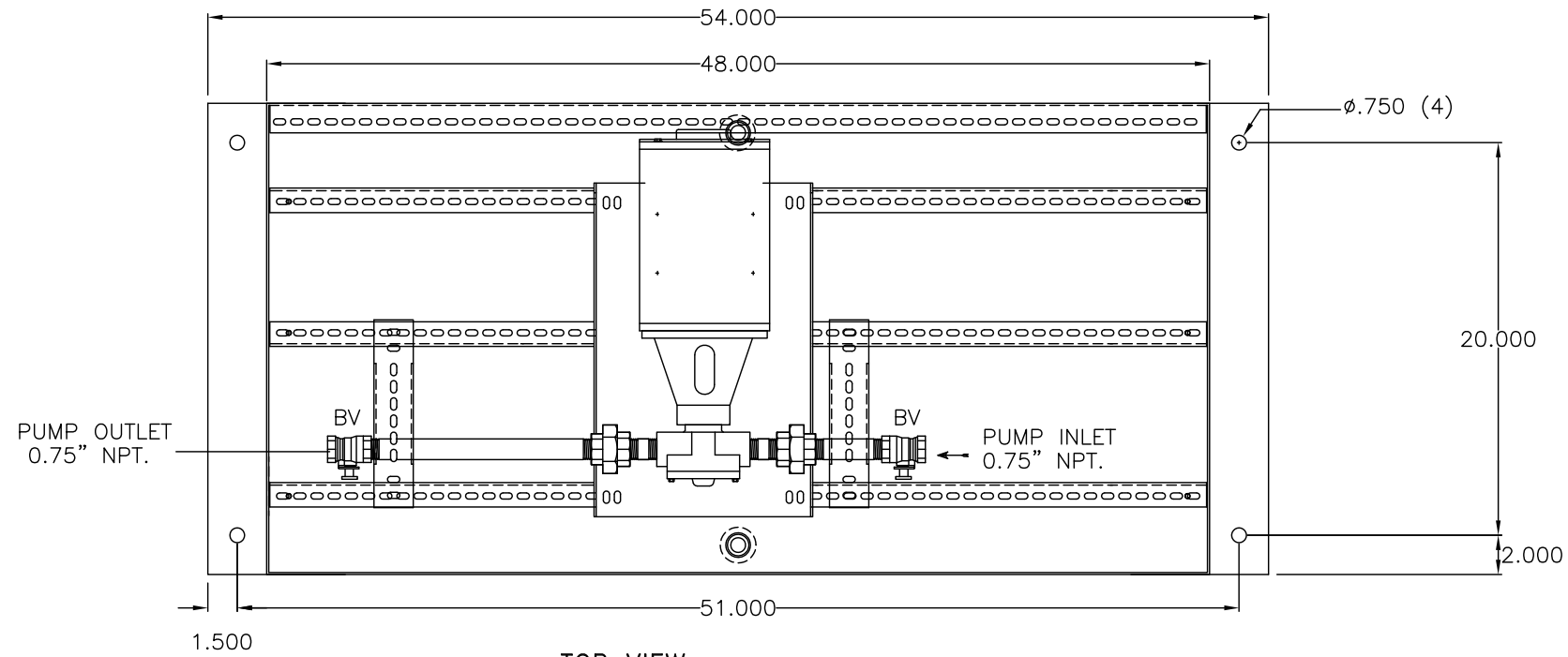
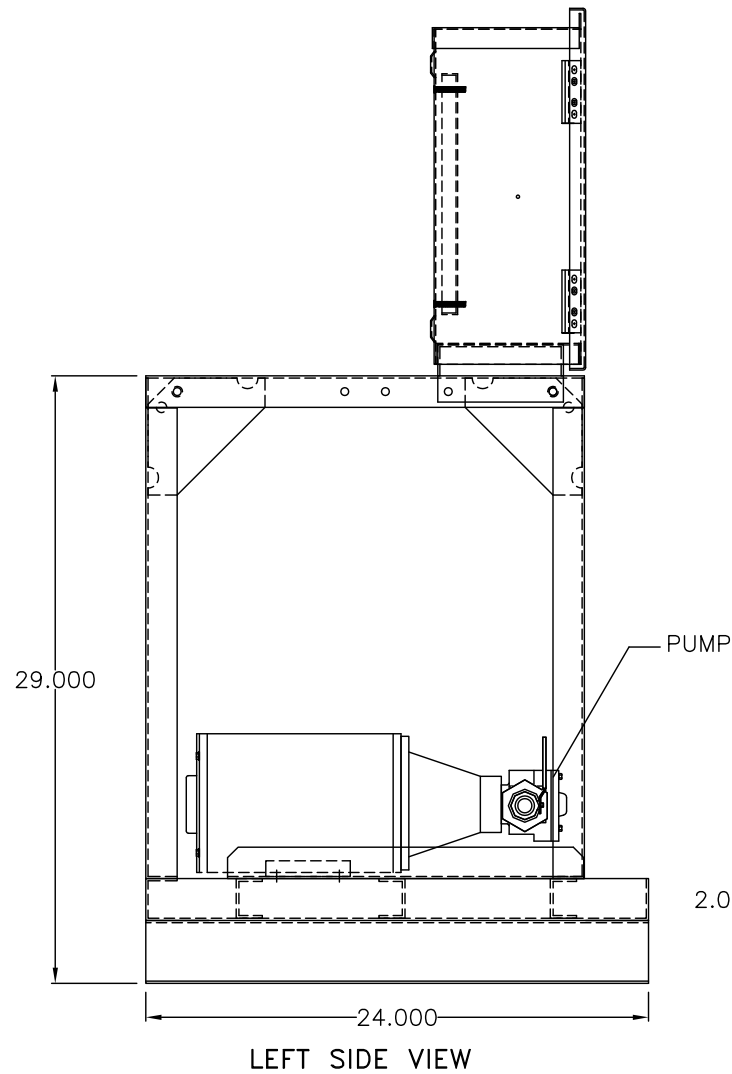


**NOTES**

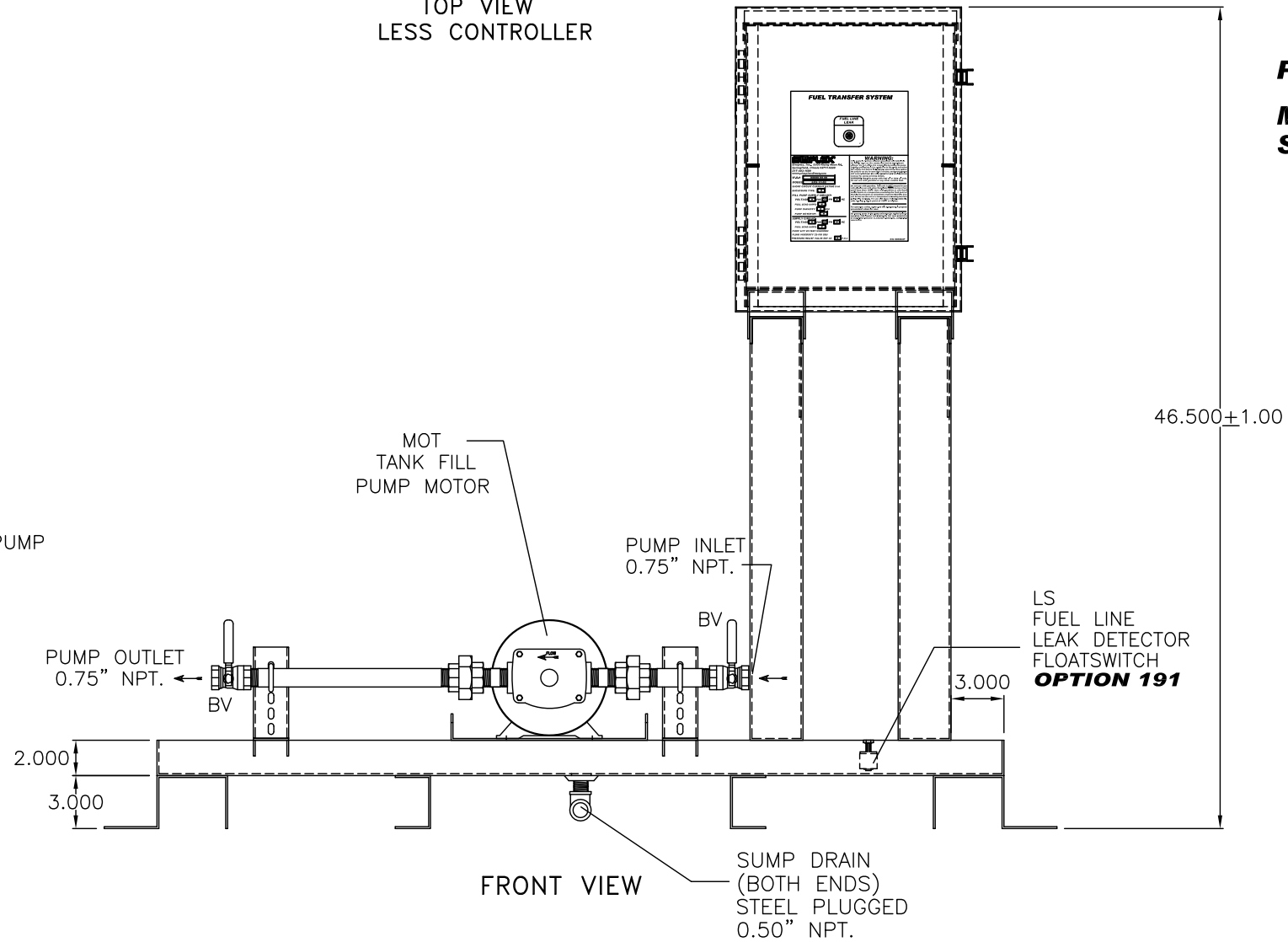
- 1) ALL DIMENSIONS ±.125
- 2) DUE TO SYSTEM COMPLEXITY SOME COMPONENTS MAY NOT BE VISIBLE IN ALL VIEWS
- 3) CONSTRUCTION SEAM WELDED 14GA. H.R.S.
- 4) CABINET: POWDER PAINTED BONE WHITE  
DOOR: POWDER PAINTED SIMPLEX BLUE



TOP VIEW  
LESS CONTROLLER



LEFT SIDE VIEW



FRONT VIEW

**PUMP SIZES STANDARD**  
**MOTOR SIZES 1/3HP-2HP**  
**STANDARD**

THE INFORMATION HEREON IS THE PROPERTY OF SIMPLEX, INC., AND/OR ITS SUBSIDIARIES. WITHOUT WRITTEN PERMISSION ANY COPYING, TRANSMITTAL TO OTHERS AND USE EXCEPT THAT FOR WHICH IT IS LOANED IS PROHIBITED. DESIGN SUBJECT TO CHANGE WITHOUT NOTICE.  
©2010 SIMPLEX, INC. ALL RIGHTS RESERVED.

<b>SIMPLEX</b>		SPRINGFIELD, ILLINOIS
SCALE :	APPROVED BY :	DRAWN BY : RER
DATE : 08-10-10		REVISED :
SKS-10-BS PACKAGED PUMP SET PICTORIAL		
UL508A	STANDARD	DRAWING NUMBER 212470