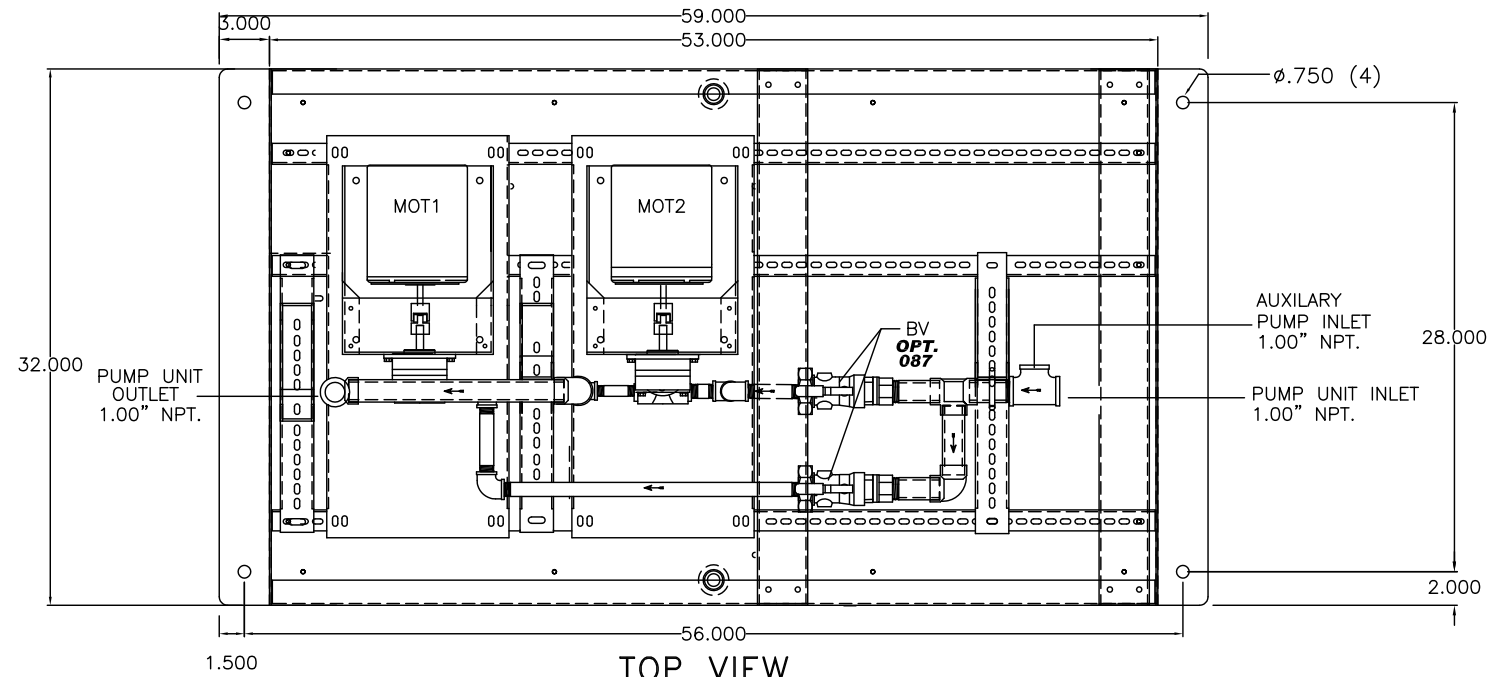


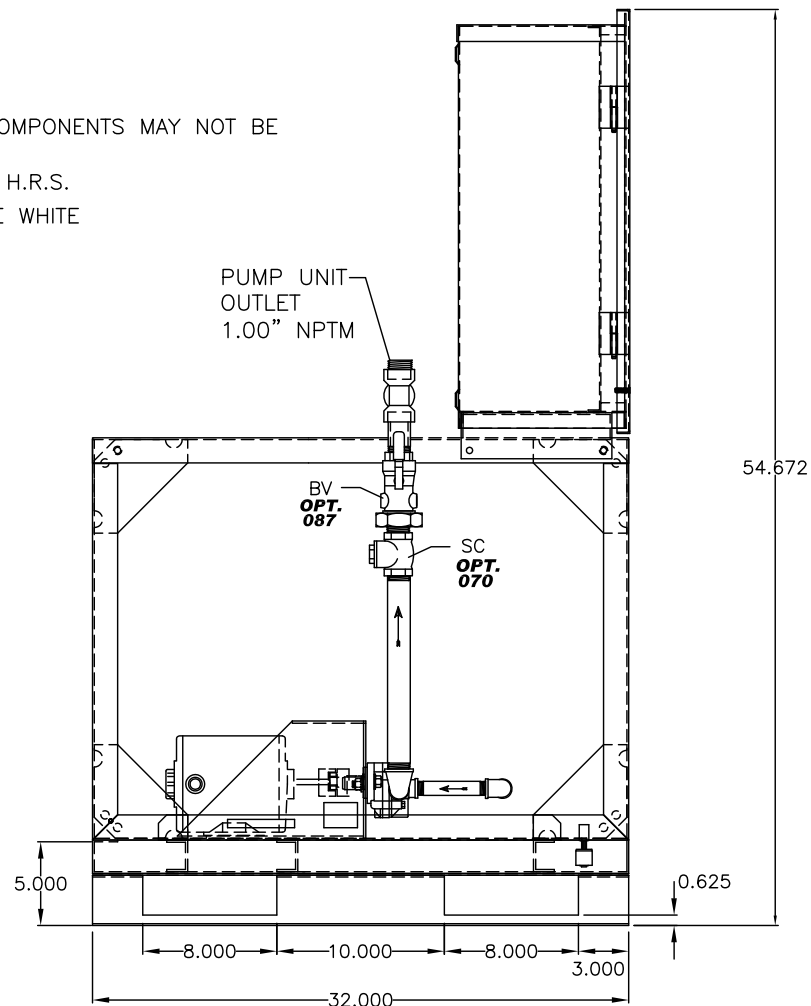
PIPING DIAGRAM



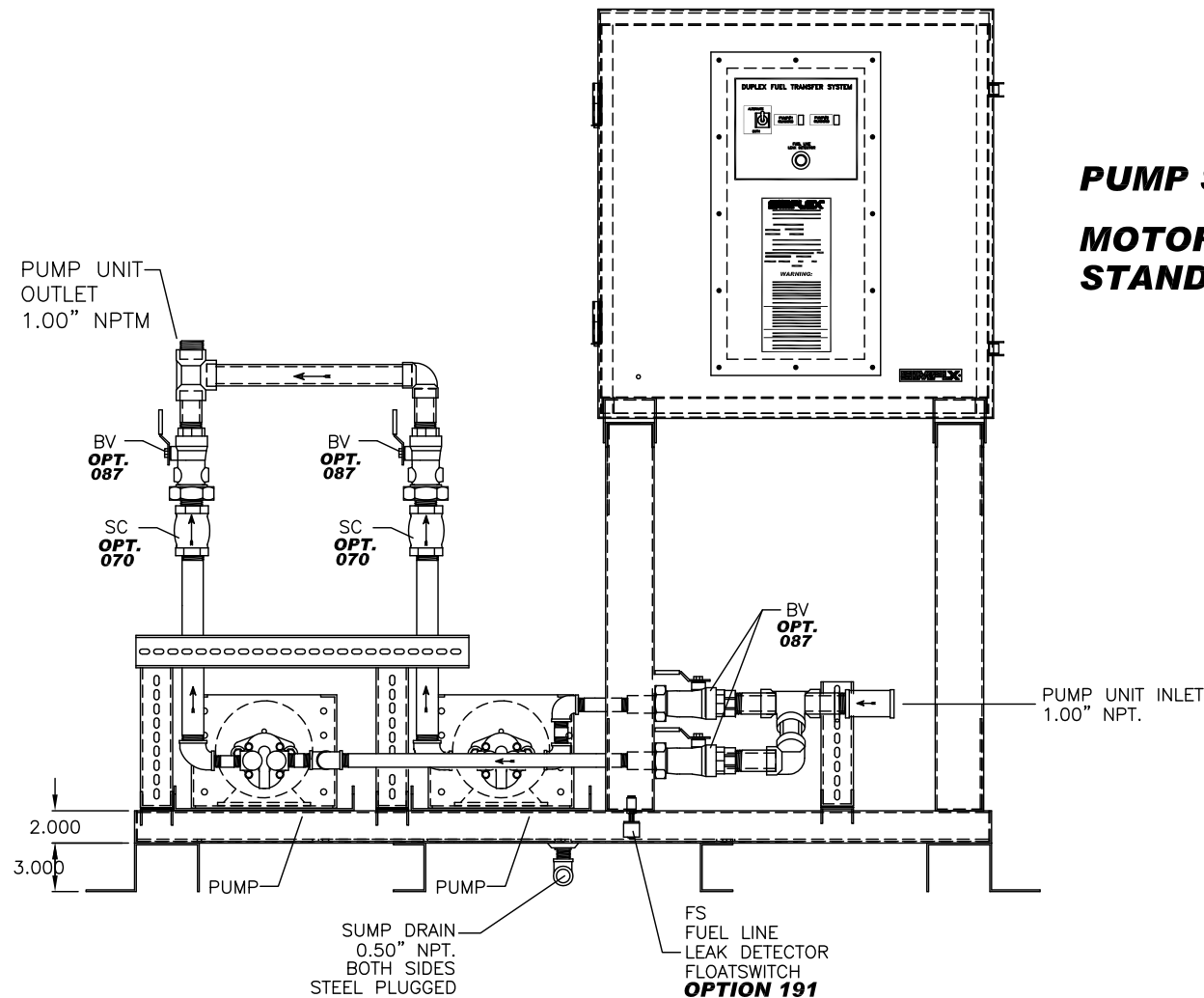
TOP VIEW

NOTES

- 1) ALL DIMENSIONS ±.125
- 2) DUE TO SYSTEM COMPLEXITY SOME COMPONENTS MAY NOT BE VISIBLE IN ALL VIEWS
- 3) CONSTRUCTION SEAM WELDED 14 GA. H.R.S.
- 4) CABINET: CLEANED AND PAINTED BONE WHITE



SIDE VIEW



FRONT VIEW

PUMP SIZES STANDARD
MOTOR SIZES 1/3HP-2HP
STANDARD

THE INFORMATION HEREON IS THE PROPERTY OF SIMPLEX, INC., AND/OR ITS SUBSIDIARIES. WITHOUT WRITTEN PERMISSION ANY COPYING, TRANSMITTAL TO OTHERS AND USE EXCEPT THAT FOR WHICH IT IS LOANED IS PROHIBITED. DESIGN SUBJECT TO CHANGE WITHOUT NOTICE.
 ©2010 SIMPLEX, INC. ALL RIGHTS RESERVED.

SIMPLEX		SPRINGFIELD, ILLINOIS
SCALE :	APPROVED BY :	DRAWN BY : RER
DATE : 08-10-10		REVISED :
SKS-30-BD PACKAGED PUMP SET PICTORIAL		
UL508A	STANDARD	DRAWING NUMBER 212471