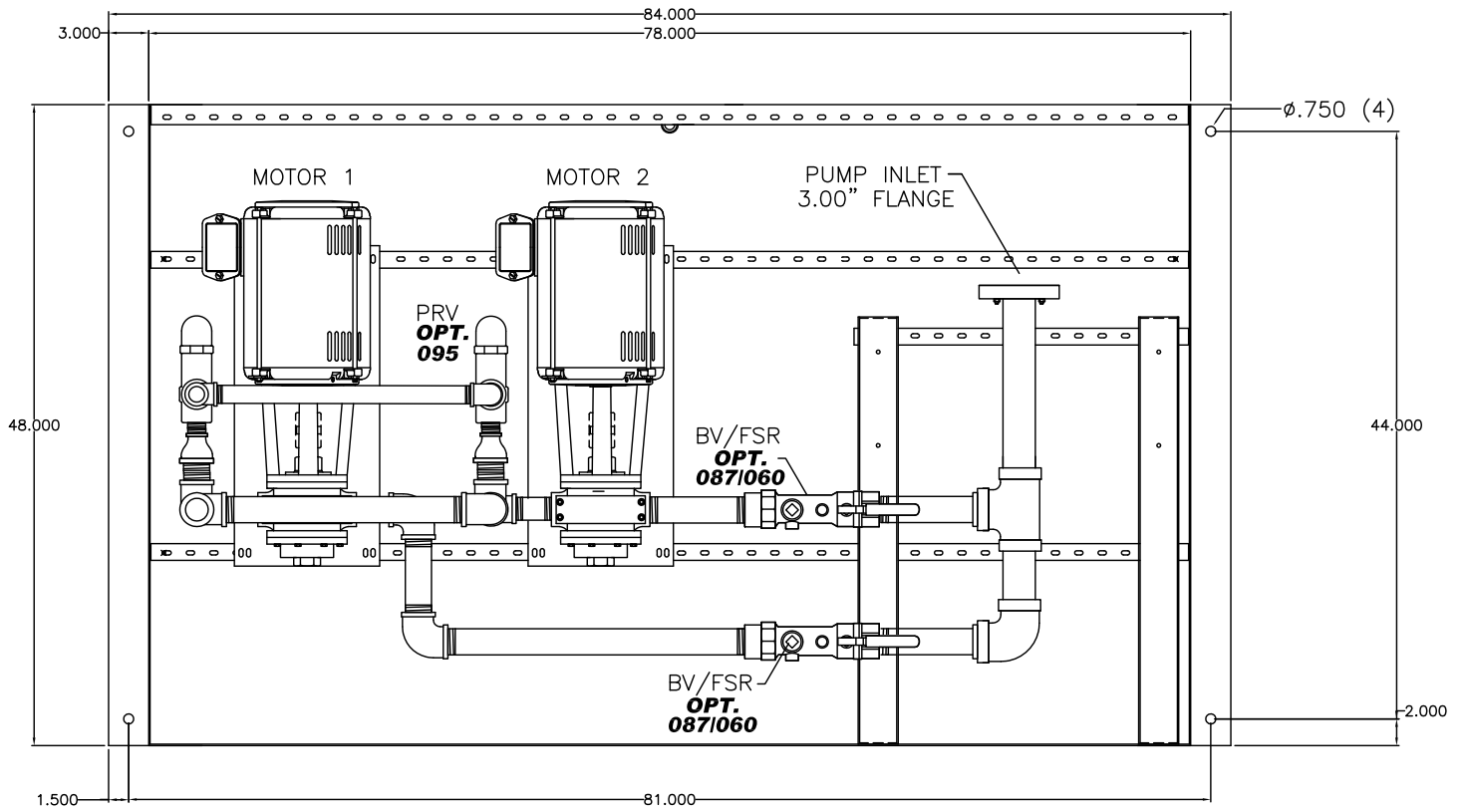
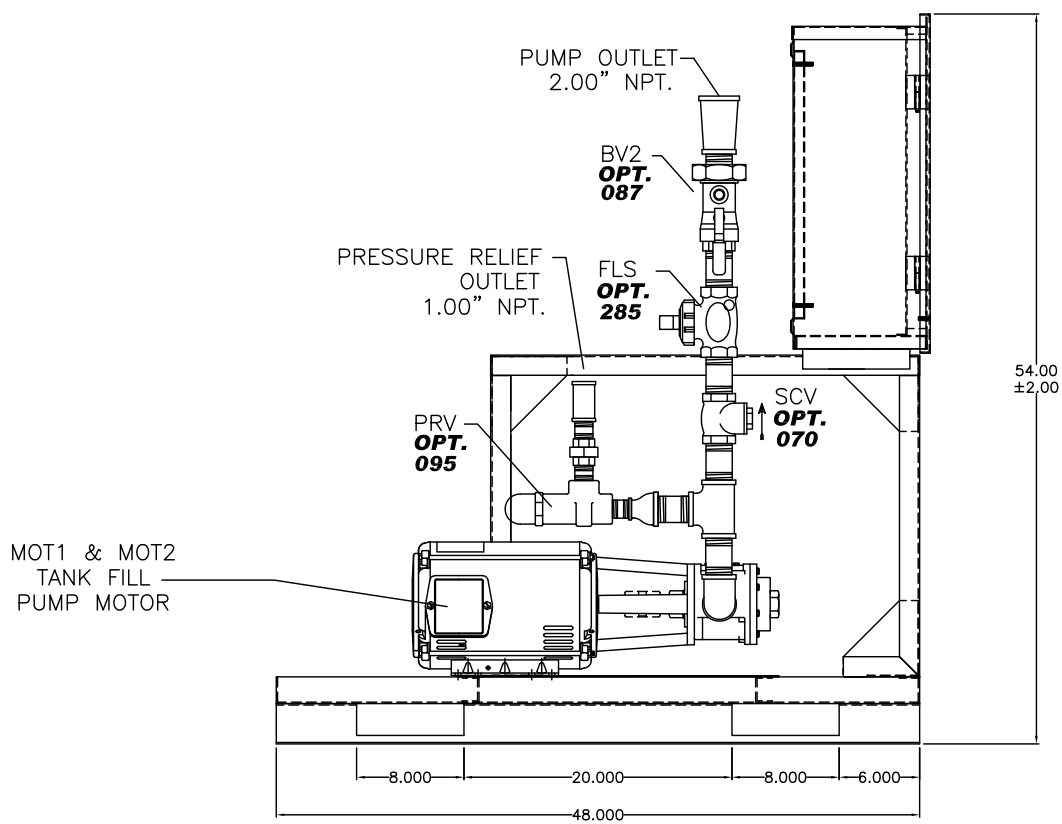


PIPING DIAGRAM

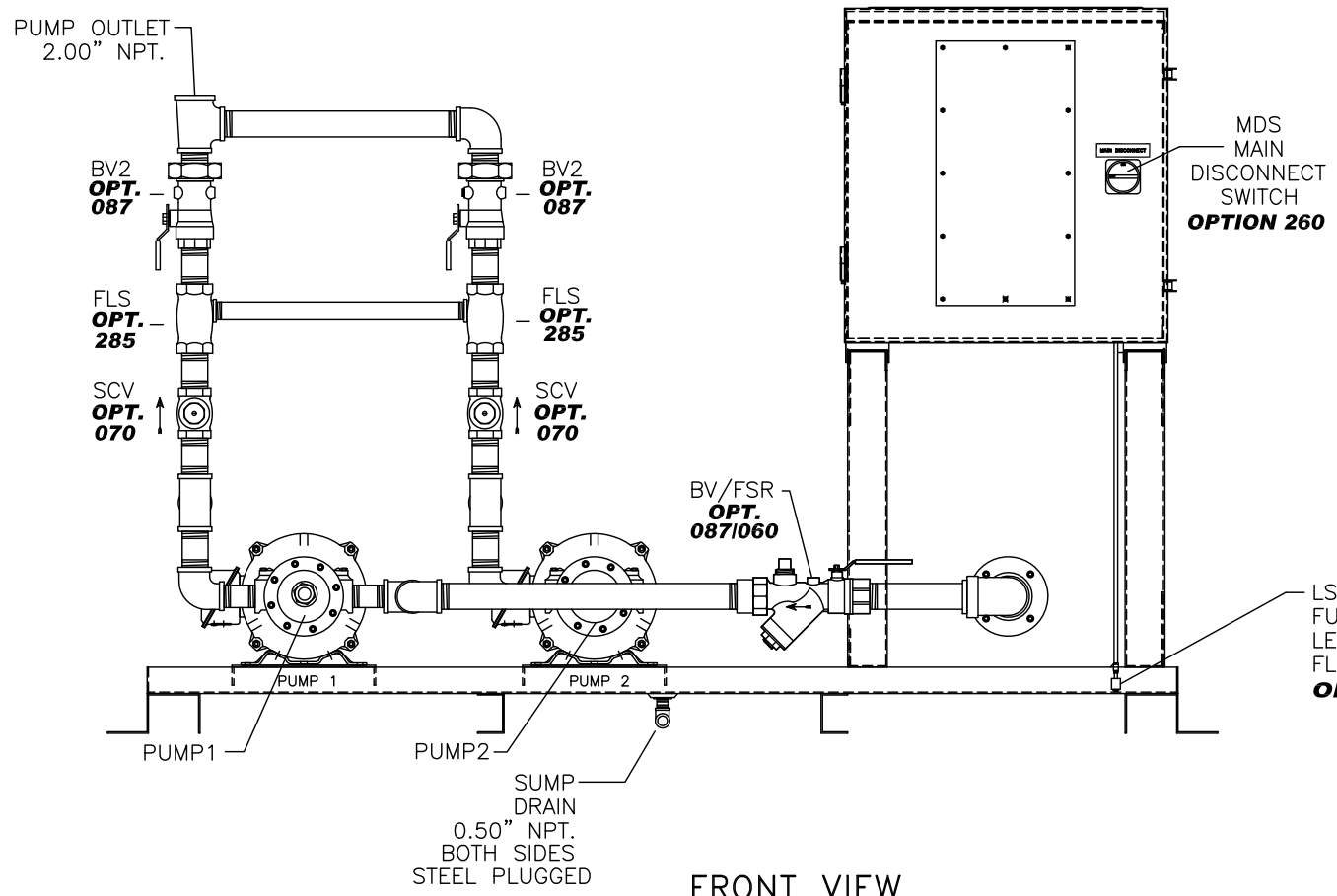


TOP VIEW

- NOTES
- 1) ALL DIMENSIONS  $\pm 0.125$
  - 2) DUE TO SYSTEM COMPLEXITY SOME COMPONENTS MAY NOT BE VISIBLE IN ALL VIEWS
  - 3) CONSTRUCTION SEAM WELDED 14 GA. H.R.S.
  - 4) CABINET: CLEANED AND POWDER PAINTED BONE WHITE  
DOORS: CLEANED AND POWDER PAINTED SIMPLEX BLUE



SIDE VIEW



FRONT VIEW

**PUMP SIZES STANDARD**  
**MOTOR SIZES 1/3HP-2HP STANDARD**

LS FUEL LINE LEAK DETECTOR FLOATSWITCH **OPTION 191**

THE INFORMATION HEREON IS THE PROPERTY OF SIMPLEX, INC., AND/OR ITS SUBSIDIARIES. WITHOUT WRITTEN PERMISSION ANY COPYING, TRANSMITTAL TO OTHERS AND USE EXCEPT THAT FOR WHICH IT IS LOANED IS PROHIBITED. DESIGN SUBJECT TO CHANGE WITHOUT NOTICE. ©2010 SIMPLEX, INC. ALL RIGHTS RESERVED.

<b>SIMPLEX</b>		SPRINGFIELD, ILLINOIS
SCALE :	APPROVED BY :	DRAWN BY : RER
DATE : 08-10-10		REVISED :
SKS-50-SD PACKAGED PUMP SET PICTORIAL		
UL508A	STANDARD	DRAWING NUMBER 212474