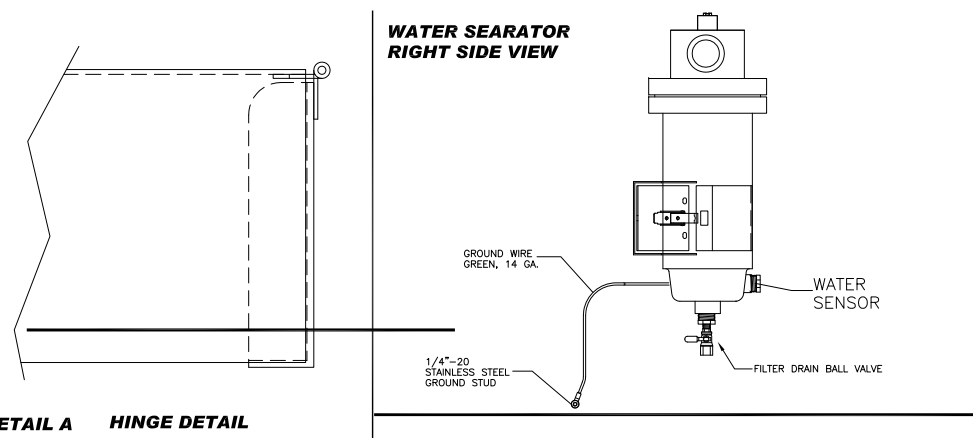
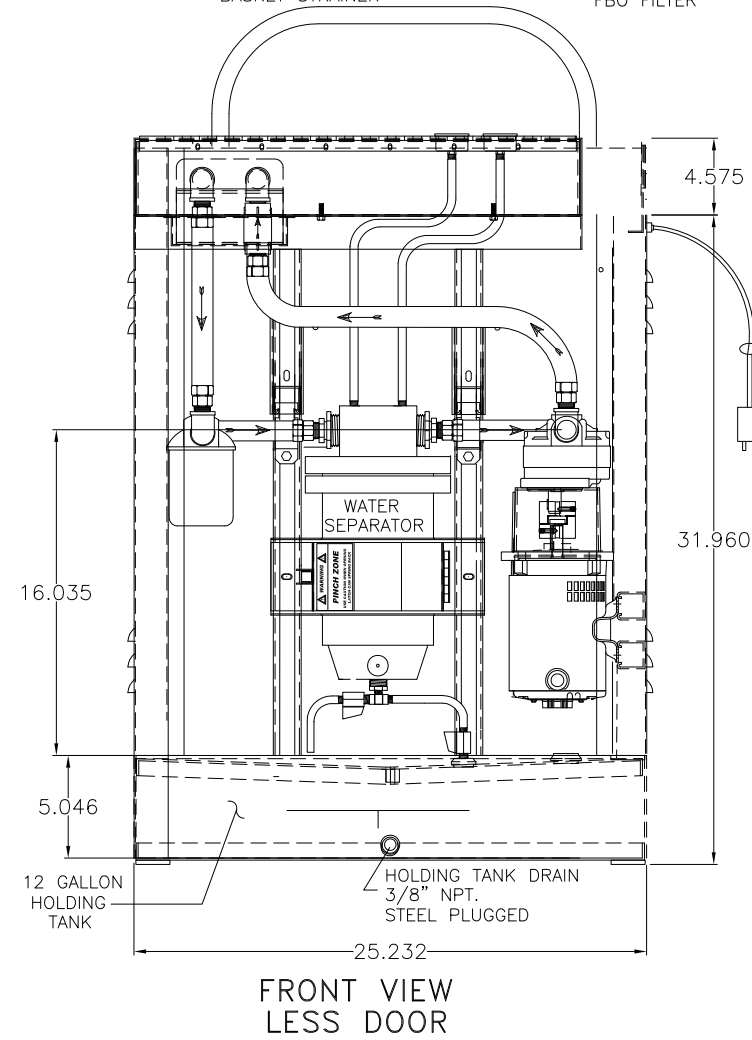
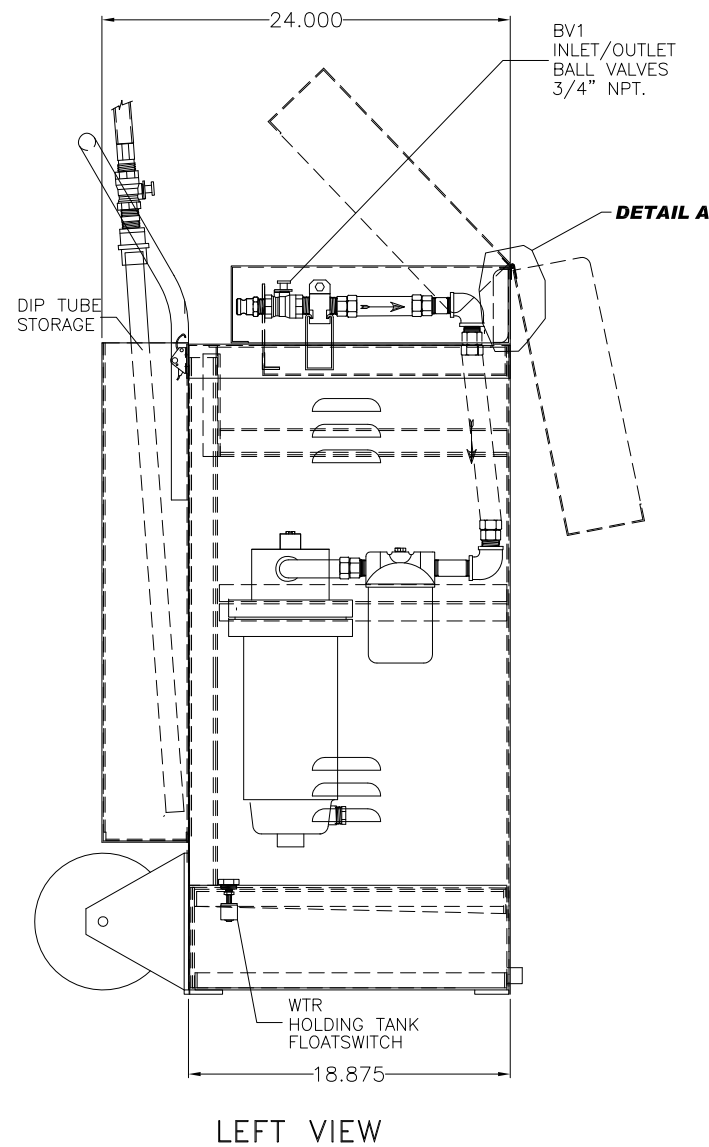
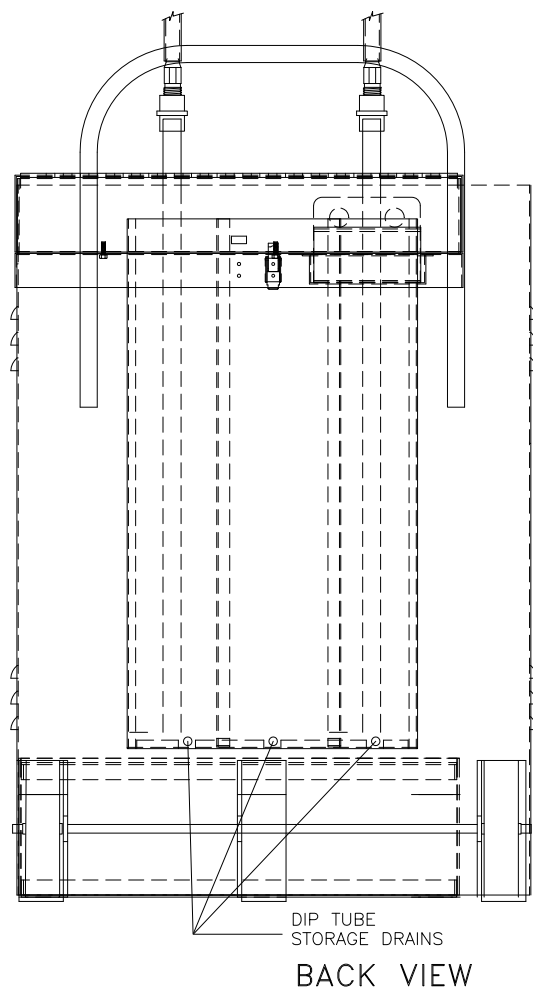
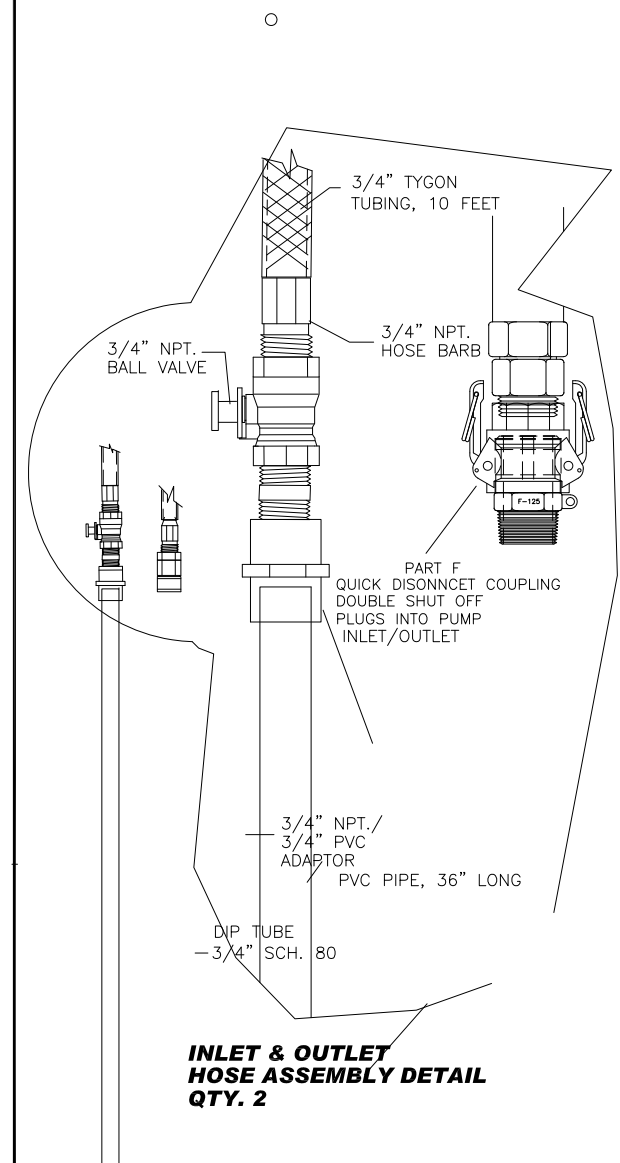
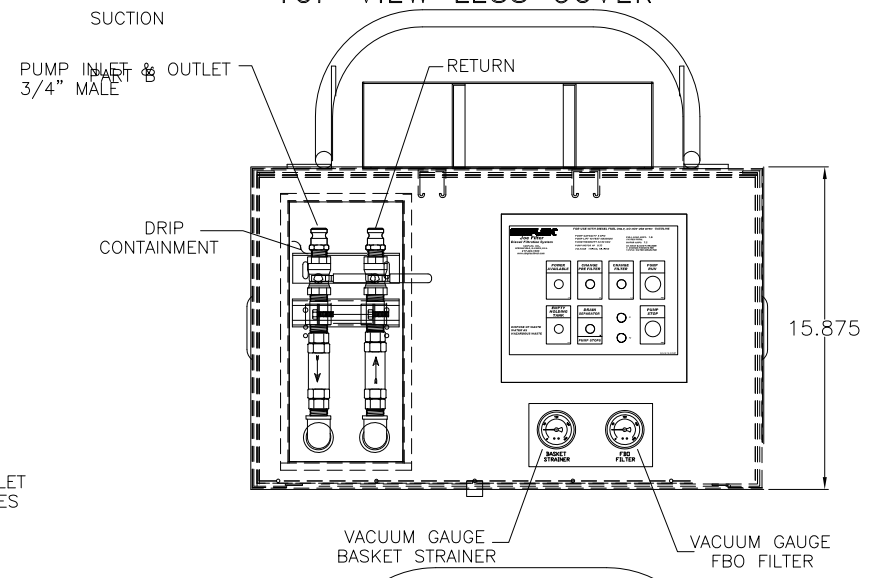


DETAIL A HINGE DETAIL



TOP VIEW LESS COVER



THE INFORMATION HEREON IS THE PROPERTY OF SIMPLEX, INC., AND/OR ITS SUBSIDIARIES. WITHOUT WRITTEN PERMISSION ANY COPYING, TRANSMITTAL TO OTHERS AND USE EXCEPT THAT FOR WHICH IT IS LOANED IS PROHIBITED. DESIGN SUBJECT TO CHANGE WITHOUT NOTICE. ©2012 SIMPLEX, INC. ALL RIGHTS RESERVED.

SIMPLEX			SPRINGFIELD, ILLINOIS
SCALE :	APPROVED BY :	DRAWN BY : RER	
DATE : 06-08-12		REVISED :	
JOEFILTER PLUMBING			
STANDARD			DRAWING NUMBER 212481