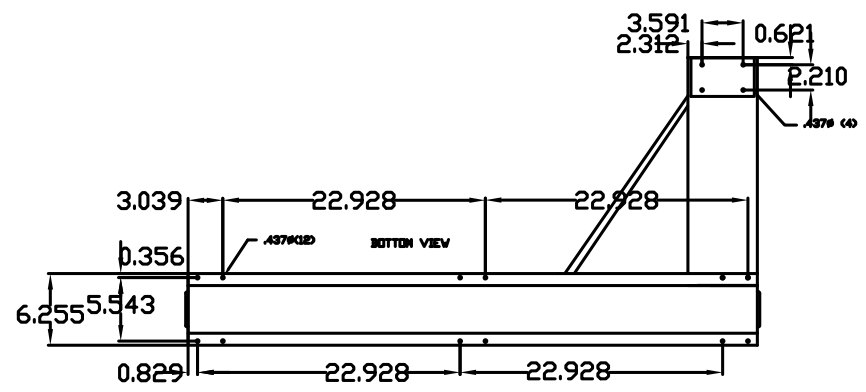
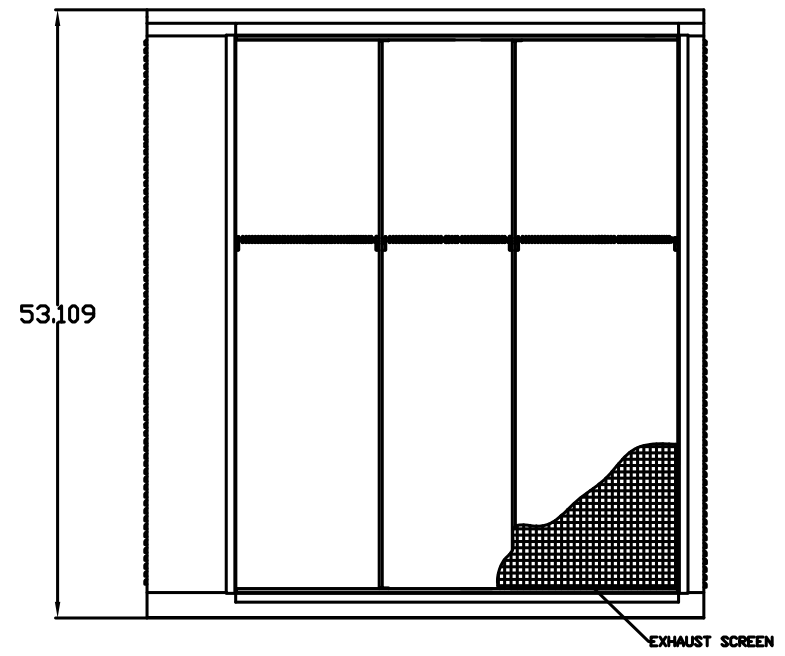
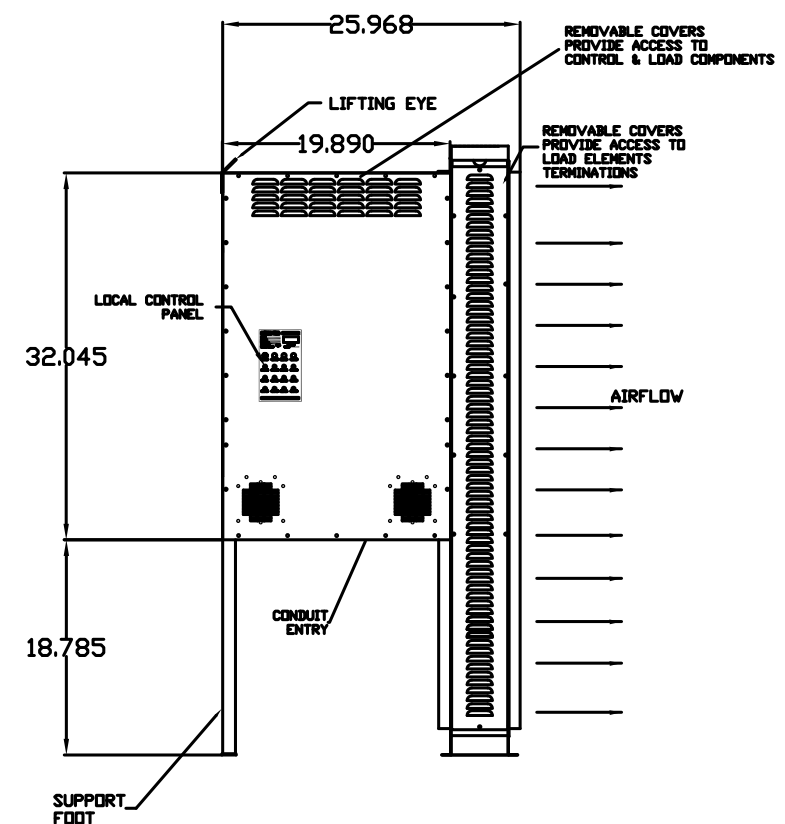
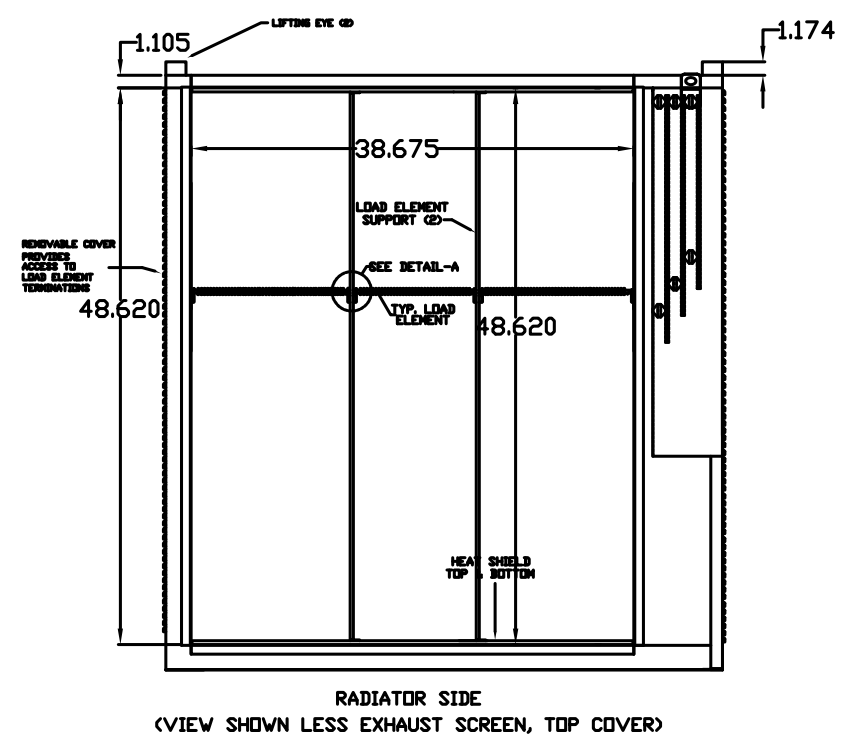


THIS IS A SAMPLE DRAWING ONLY. THE DIMENSIONS OF THE LOAD BANK ARE DEPENDENT ON CUSTOMER PROVIDED SPECIFICATIONS.



- NOTES:
- TYPE 1 CONSTRUCTION
  - CONSTRUCTION:
    - A. DUCT FRAME AND ELECTRICAL ENCLOSURE - FORMED AND WELDED SHEET STEEL (12 GA. HRS.)
    - B. REMOVABLE COVERS - 14 GA. HRS. SHEET STEEL
  - FINISH:
    - ABRASIVE CLEANED OR CHEMICALLY CLEANED AND PHOSPHATIZED
    - FINISH COLOR : ASA 49 GRAY
    - PRIMER: TILE CLAD W/8 EPOXY (24702501), PART A , B73A200, GRAY PRIMER (24702502), PART B , B73V200, CATALYST
    - PAINT: CENTURION POLYURETHANE (24708500), B65V701, ASA 49 GRAY (24722500), B65V700 CATALYST
  - APPROXIMATE WEIGHT - 1,500 LBS.
  - LOAD BANK CONTROLS LOCATED LOCALLY
  - LOAD BANK MUST BE INSTALLED USING ALL FLANGES TOP,BOTTOM,LEFT AND RIGHT. USE 3/8" GRADE-5 BOLTS FOR ATTACHMENT. BOTTOM SUPPORT FOR THE LOAD ELEMENT ENCLOSURE IS RECOMMENDED.
  - BOTTOM SUPPORT FOR THE CONTROL BOX IS REQUIRED
  - LATERAL AND VERTICAL DISPLACEMENT OF CONTROL BOX MUST BE PREVENTED. TEMPORARY SUPPORTS AND BRACES WILL BE REQUIRED.
  - TOP COVER MAY BE REMOVED TO ACCESS LIFTING EYES.

THE INFORMATION HEREON IS THE PROPERTY OF SIMPLEX, INC., AND/OR ITS SUBSIDIARIES. WITHOUT WRITTEN PERMISSION ANY COPYING, TRANSMITTAL TO OTHERS AND USE EXCEPT THAT FOR WHICH IT IS LOANED IS PROHIBITED. DESIGN SUBJECT TO CHANGE WITHOUT NOTICE. ©2011 SIMPLEX, INC. ALL RIGHTS RESERVED.

<b>SIMPLEX</b>		SPRINGFIELD, ILLINOIS
SCALE :	APPROVED BY :	DRAWN BY : RER
DATE : 05-09-11		REVISED :
LBD (WELD-TOGETHER DESIGN) RESISTIVE LOAD BANK PICTORIAL		
SAMPLE ONLY		DRAWING NUMBER 217959