

4

3

2

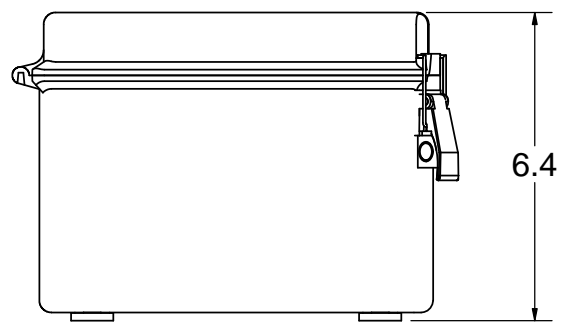
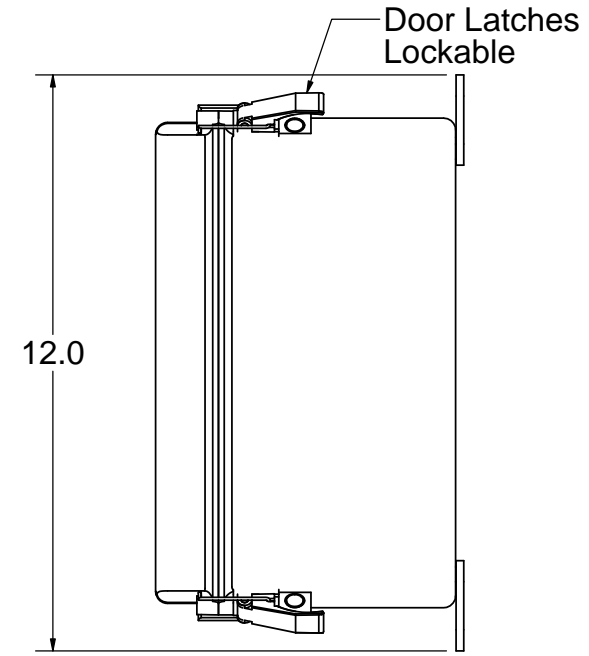
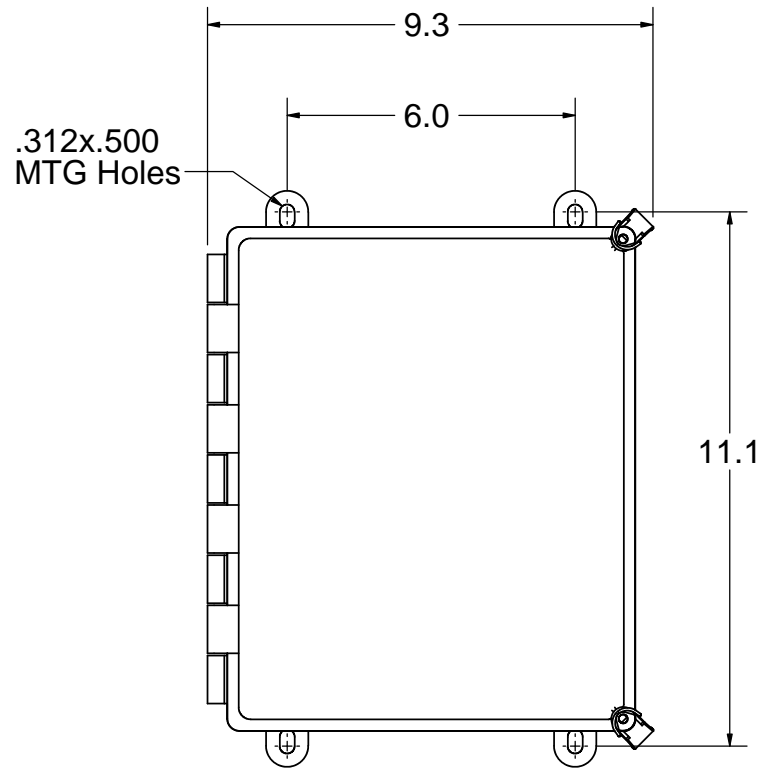
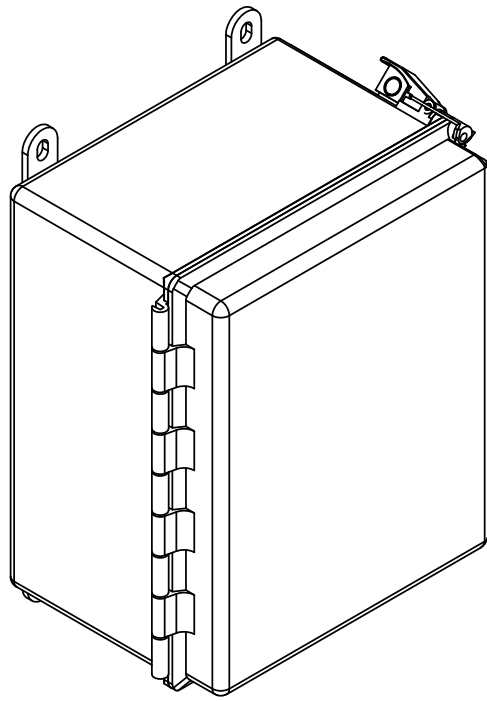
1

B

B

A

A

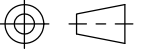


SIMPLEX

SIMPLEX, INC.
5300 RISING MOON ROAD
SPRINGFIELD, ILLINOIS 62711-6228

THE INFORMATION HEREON IS THE PROPERTY OF SIMPLEX, INC., AND/OR ITS SUBSIDIARIES. WITHOUT WRITTEN PERMISSION ANY COPYING, TRANSMITTAL TO OTHERS AND USE EXCEPT THAT FOR WHICH IT IS LOANED IS PROHIBITED.
2012 SIMPLEX, INC.®
ALL RIGHTS RESERVED

THIRD ANGLE PROJECTION



REV	DATE	DESCRIPTION	INT	APPR

TOLERANCES
 X.XXX ± 0.005"
 X.XX ± 0.010"
 X.X ± 0.020"
 FRACTIONAL ± 1/32"
 ANGLES ± 1°
 SURFACES 125/

APPROVED BY: -
 DRAWN BY: pcannon
 SCALE: 1:4
 SHEET SIZE: B-SIZE
 SHEET TITLE: Sheet 1
 W.O. #:
 WEIGHT: 4.58 lbs

PROJECT: Polaris 2.0
 PART DESCRIPTION: Polaris 2.0 Control Box

PART NUMBER: **ASM-00001112**

PART REVISION:
 DRAWING NUMBER: **DWG-00001660**

SHEET NUMBER	REVISION
1 / 1	-