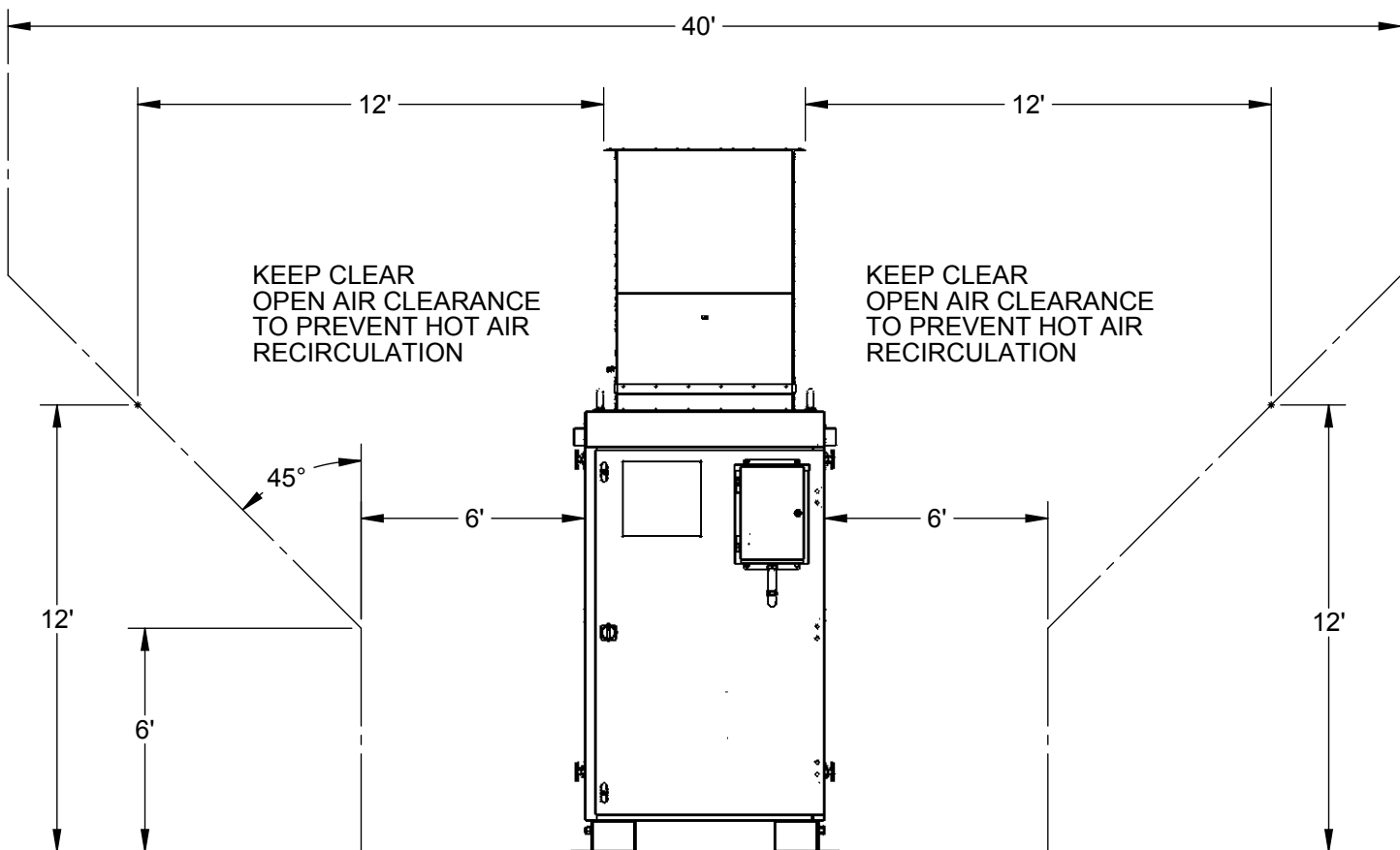


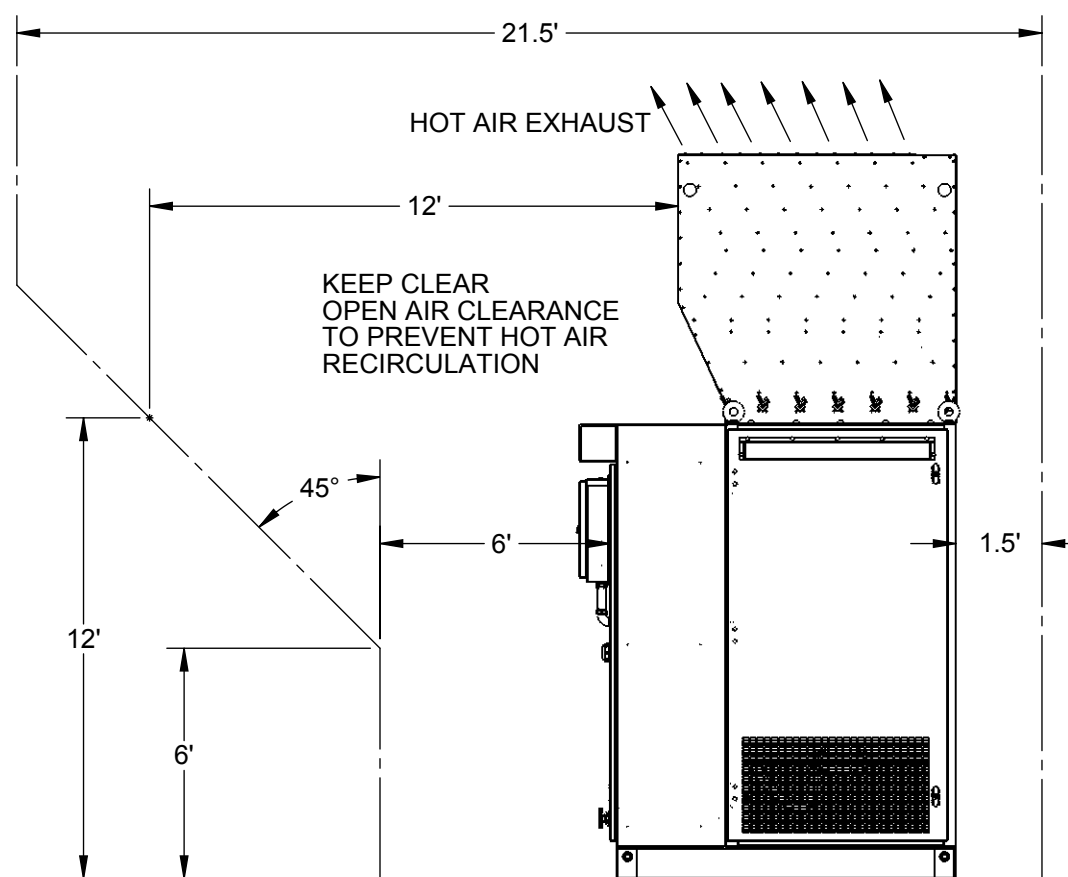
ONCE 40' OF CLEARANCE IS OBTAINED
VERTICAL CLEARANCE IS ACCEPTABLE



FRONT VIEW

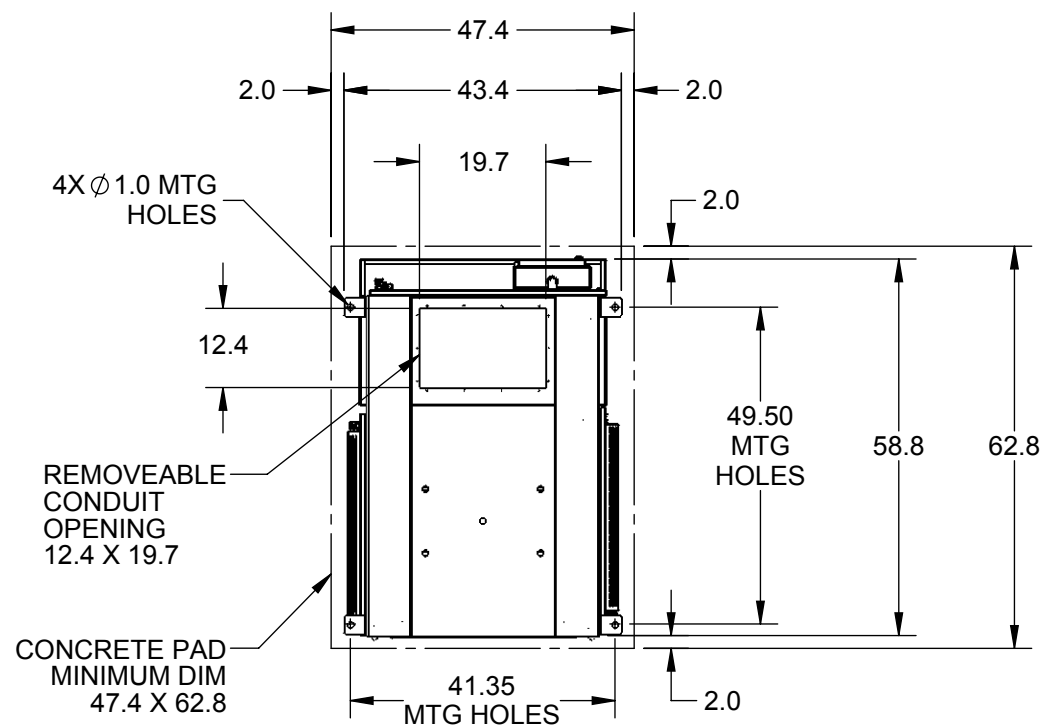
CLEARANCE PROFILE - NOT TO SCALE

ONCE 21.5' OF CLEARANCE IS OBTAINED
VERTICAL CLEARANCE IS ACCEPTABLE



RIGHT SIDE VIEW

CLEARANCE PROFILE - NOT TO SCALE



BOTTOM VIEW

CONCRETE PAD PROFILE

NOTES:
(UNLESS OTHERWISE SPECIFIED)

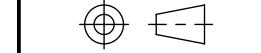
- FOR QUESTIONS REGARDING INSTALLATION OR CLEARANCE PLEASE CALL SIMPLEX (217-483-1600)
- CONCRETE PAD SIZE IS SAME FOR LOCAL AND REMOTE CONFIGURATIONS OF NEPTUNE LOAD BANK.



SIMPLEX, INC.
5300 RISING MOON ROAD
SPRINGFIELD, ILLINOIS 62711-6228

THE INFORMATION HEREON IS THE PROPERTY OF SIMPLEX, INC., AND/OR ITS SUBSIDIARIES. WITHOUT WRITTEN PERMISSION ANY COPYING, TRANSMITTAL TO OTHERS AND USE EXCEPT THAT FOR WHICH IT IS LOANED IS PROHIBITED.
©2014 SIMPLEX, INC.
ALL RIGHTS RESERVED

THIRD ANGLE PROJECTION



REV	DATE	DESCRIPTION	INT	APPR
A	07/01/2014	APPROVED FOR SUBMITTAL		

Approved 07/01/2014

TOLERANCES
 X.XXX ± 0.025"
 X.XX ± 0.050"
 X.X ± 0.100"
 FRACTIONAL ± 1/16"
 ANGLES ± 2.5°
 SURFACES 125/

APPROVED BY:	PWC
DRAWN BY:	SB
SCALE:	1:30
SHEET SIZE:	B-SIZE
SHEET TITLE:	Sheet 1
W.O. #:	NA
WEIGHT:	1288.86 lbs

PROJECT
Neptune

PART DESCRIPTION
Assembly Neptune
Installation Pictorial

PART NUMBER
ASM-00011915

PART REVISION: **B**

DRAWING NUMBER
DWG-00016734

SHEET NUMBER	REVISION
1 / 1	A

