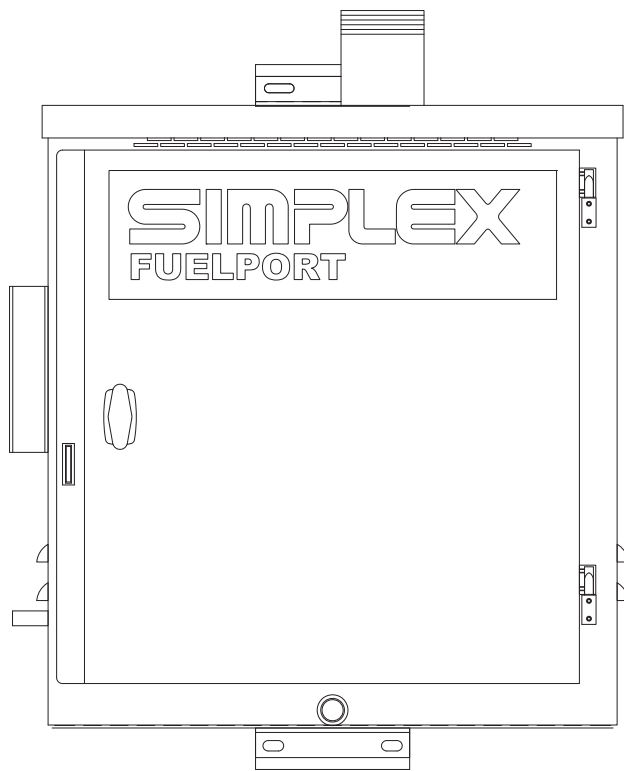


SIMPLEX[®]

FUELPORT MANUAL

July 2011



DESCRIPTION

The Simplex FuelPort is a compact, economical solution for simple filling and spill prevention for aboveground storage tanks. The FuelPort includes all valves and fittings necessary for hose connection from a pumper truck to an aboveground storage tank. The FuelPort can be bolted to the tank, hung from the fill pipe, or attached via clamps to a 2" or 3" post. The FuelPort is suitable for use with fuel oil or gasoline. Includes:

- Weatherproof, lockable box with 7 gallon spill containment
- Tank mounting weld brackets (2)
- FuelPort mounting tabs to accept weld brackets (above) or post clamps (2" or 3", optional)
- Quick disconnect hose coupling with dust plug
- Check valve
- Shutoff valve
- Hand pump for spill containment, with shutoff and check valve
- Ground stud

Specifications

Fitting size: 2", 3" or 4"

Spill containment: 7 gallons

Hand pump capacity: 1 gpm

Paint: white epoxy

Net weight: 129 lbs.

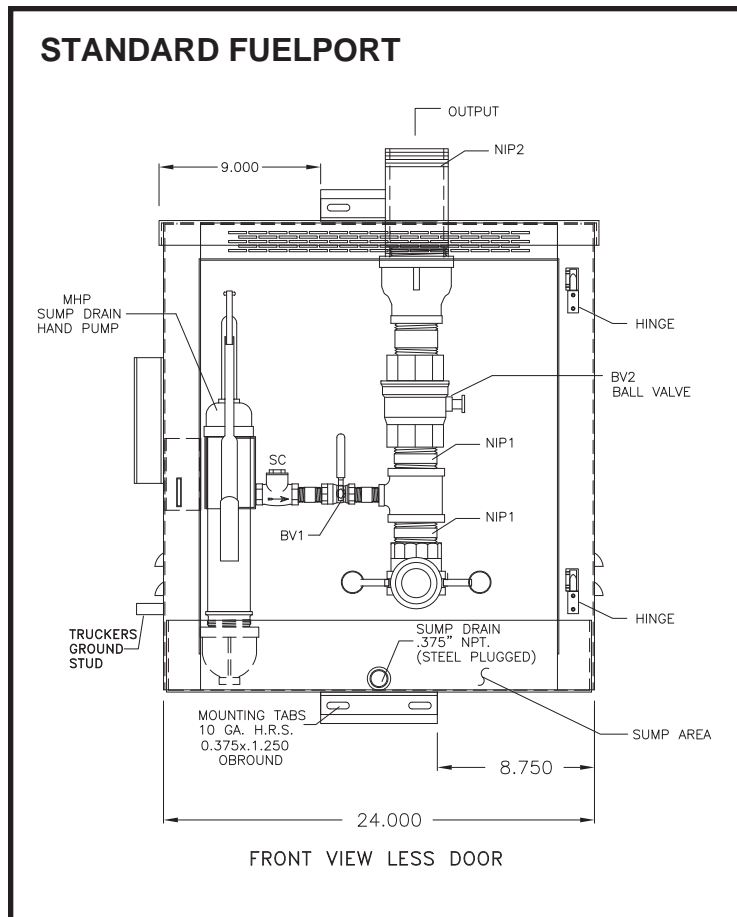
Fittings: 2", 3" or 4"

Inlet to accept:

- Standard fitting: Quick detachable coupling with check valve, shutoff ball valve
- Optional fitting: Buyer specified dry connect

Outlet fitting:

- Threaded pipe welded in top panel, 3" NPT threads
- Optional gasoline vapor recovery adaptor



OPERATION

1. Connect ground cable
2. Unlock FuelPort and open door
3. Connect delivery hose to hose coupling
4. Open valve on truck and valve in FuelPort
5. Start fill pump
6. Stop fill pump when tank is full or as needed
7. Close truck valve and valve in FuelPort
8. Disconnect delivery hose from hose coupling
9. Close and lock FuelPort door

ORDER BY MODEL NUMBER:

- - -

 Basic Model - Option - Option - Option

MODELS

Standard FuelPorts with 7 Gallon Spill Containment

NO.	APPLICATION	FITTINGS
FP2.....	Oil or gas	2"
FP3.....	Oil or gas	3"
FP3GV.....	Gas, w/vapor rec. adaptor	3"
FP4*.....	Oil or gas	4"
FP4GV*.....	Gas, w/vapor rec. adaptor	4"

*4" inlet, 3" internals and outlet

Full-Size FuelPorts with 20 Gallon Spill Containment

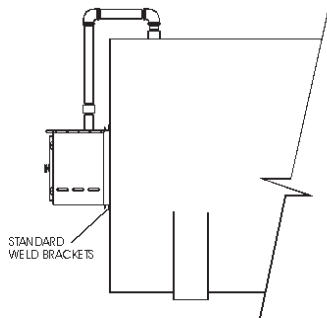
NO.	APPLICATION	FITTINGS
FFP-2.....	Oil or gas	2"
FFP-3.....	Oil or gas	3"
FFP-3GV.....	Gas, w/vapor recovery adaptor.....	3"
FFP-4.....	Oil or gas	4"
FFP-4GV.....	Gas, w/vapor recovery adaptor.....	4"

*4" inlet, 3" internals and outlet

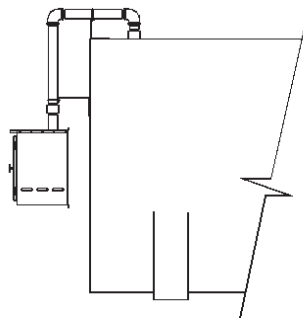
OPTIONAL ACCESSORIES FOR FUELPORT

NO.	DESCRIPTION	NO.	DESCRIPTION
020.....	2" fire rated shutoff valve assembly for installation on AST fuel inlet, consisting of fire rated ball valve and self-closing fusible link valve	059.....	Hydrostatic level gauge, hand pump type with 5" dial type indicator calibrated in gallons. Transmitter installed in 2" tank fitting.
022.....	3" fire rated shutoff valve assembly for installation on AST fuel inlet, consisting of fire rated ball valve and self-closing fusible link valve	075.....	Flush Wall-mounting bracket for 2" or 3"
030.....	2" dry disconnect adaptor installed on inlet in lieu of standard part B coupler (Full-Size FuelPort only)	076.....	Flush Wall-mounting bracket for 4"
035.....	3" dry disconnect adaptor installed on inlet in lieu of standard part B coupler (Full-Size FuelPort only)	085.....	3" post assembly with base. 48" high, w/clamps
045.....	2" fuel strainer, Y-type, cast iron, 20-mesh stainless steel screen, installed (Full-Size FuelPort only)	086.....	3" post clamps
047.....	3" fuel strainer, Y-type, cast iron, stainless steel screen, installed (Full-Size FuelPort only)	-085.....	2" post clamps
		-086.....	3" post clamps
		-087.....	2" post assembly with base, 48" high, w/clamps
		-088.....	3" post assembly with base. 48" high, w/clamps
		-088d ...	2" fire rated shutoff valve in lieu of bronze valve
		-088e ...	3" fire rated shutoff valve in lieu of bronze valve
		-093b ...	2" fusible link fire valve on outlet
		-093c....	3" fusible link fire valve on outlet

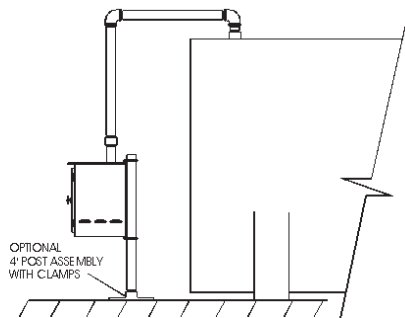
FUELPORT INSTALLATION:



- Mount to side of tank using weld brackets (included with FuelPort)



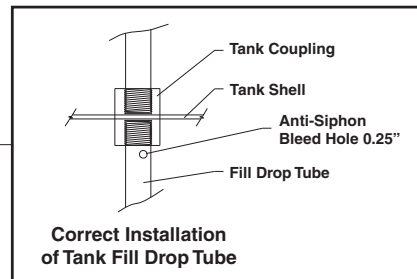
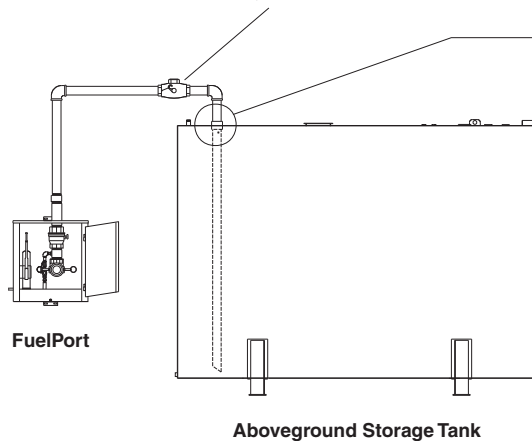
- Hang from Fill Pipe (pipe hanger required)



- Clamp to Post (see options list)

FuelPort

Install emergency, self-closing, fusible-link fire valve in supply line between FuelPort and tank, available from Simplex: 2" - PN 22932011, 3" - PN 2240054A.



WARNING

Accidental Spill: To prevent accidental spill due to siphon backflow, the tank must have a drop tube with an anti-siphon bleed hole as shown.

For Operator Safety: All elements of this system, including FuelPort, piping and tank must be connected to a common earth electrical ground. Delivery truck must be grounded to the system prior to making fuel connection.



The information herein is the property of Simplex, Inc. and/or its subsidiaries. Without written permission, any copying, transmitting to others, and other use except that for which it is loaned, is prohibited