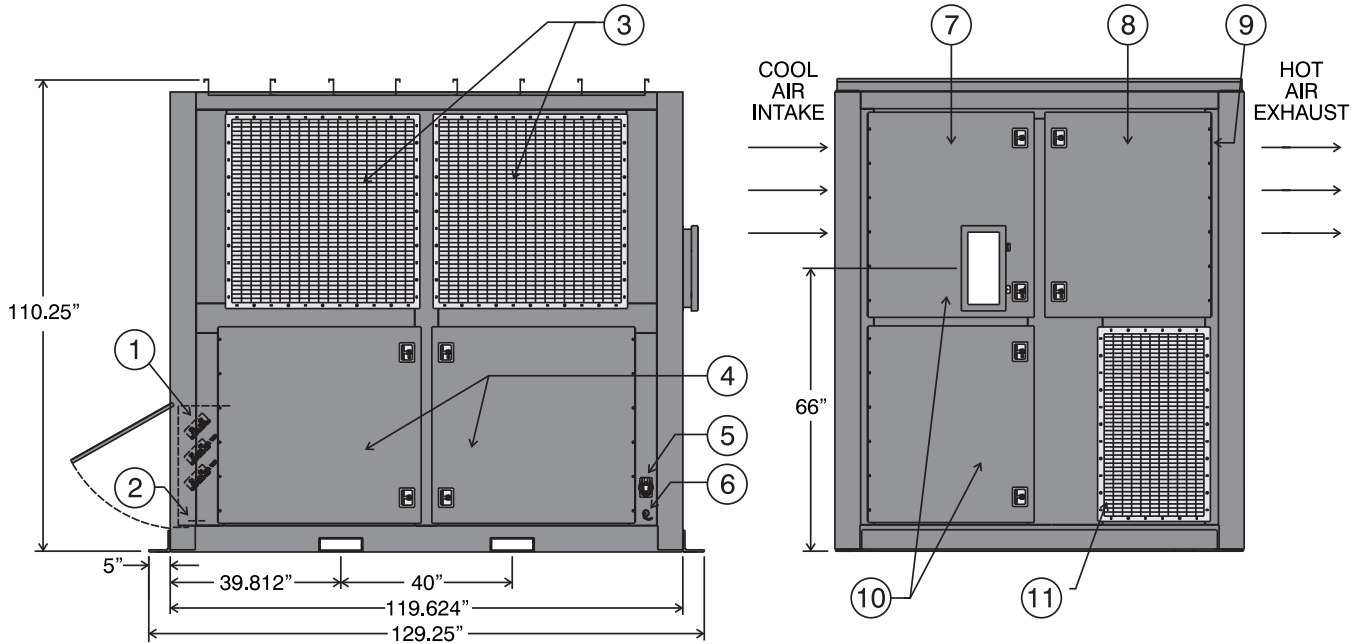


# Load Cube

## Large Portable Load Bank

### Dimensions and Key Features



- |                             |                                  |
|-----------------------------|----------------------------------|
| 1. Customer connections     | 7. Control door                  |
| 2. Ground                   | 8. Resistive load element access |
| 3. Resistive intake louvers | 9. Stainless steel hinge         |
| 4. Inductor access          | 10. Subpanel access              |
| 5. External power inlet     | 11. Inductor intake louvers      |
| 6. Receptacle               |                                  |

**SIMPLEX™**