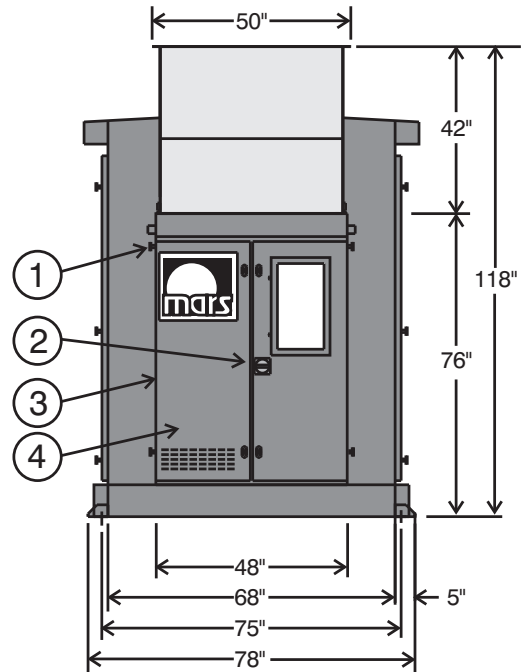


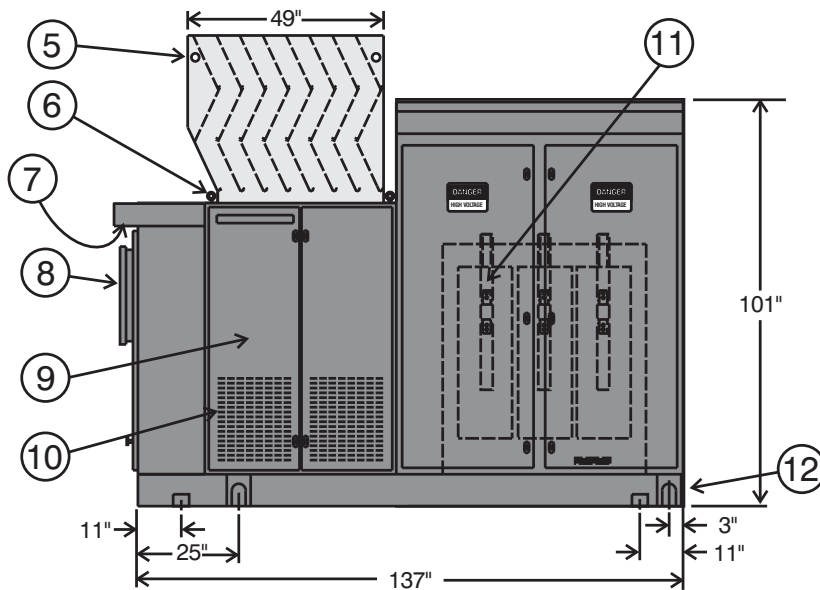
Mars-HV Stationary Load Bank

Dimensions and Key Features

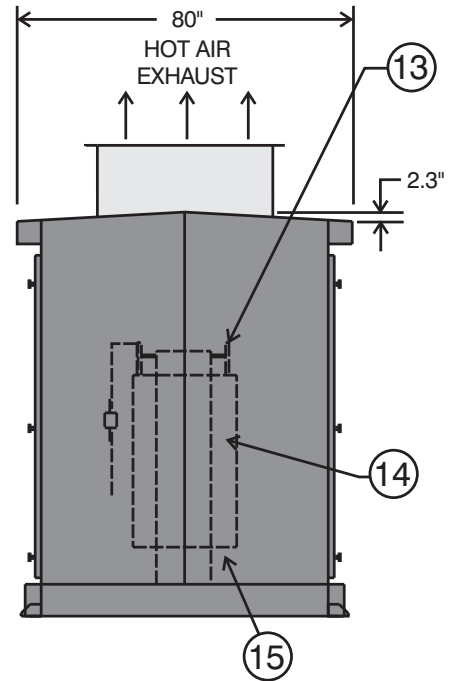
1. Lockable Latch, Each Door
2. Anti-Condensation Disconnect Switch
3. Hinged Door, Both Sides
4. Control Section
5. Lifting Provisions (for Exhaust Hood Only)
6. Load Bank Lifting Eyes
7. Rain Shield Vent Screen
8. Local Control Panel, Lockable Hinged Door
9. Load Resistor and Fan Section
10. Screen Air Intake, Both Sides
11. Secondary Fuses, Low Voltage



FRONT VIEW



RIGHT SIDE VIEW



BACK VIEW

SIMPLEX™